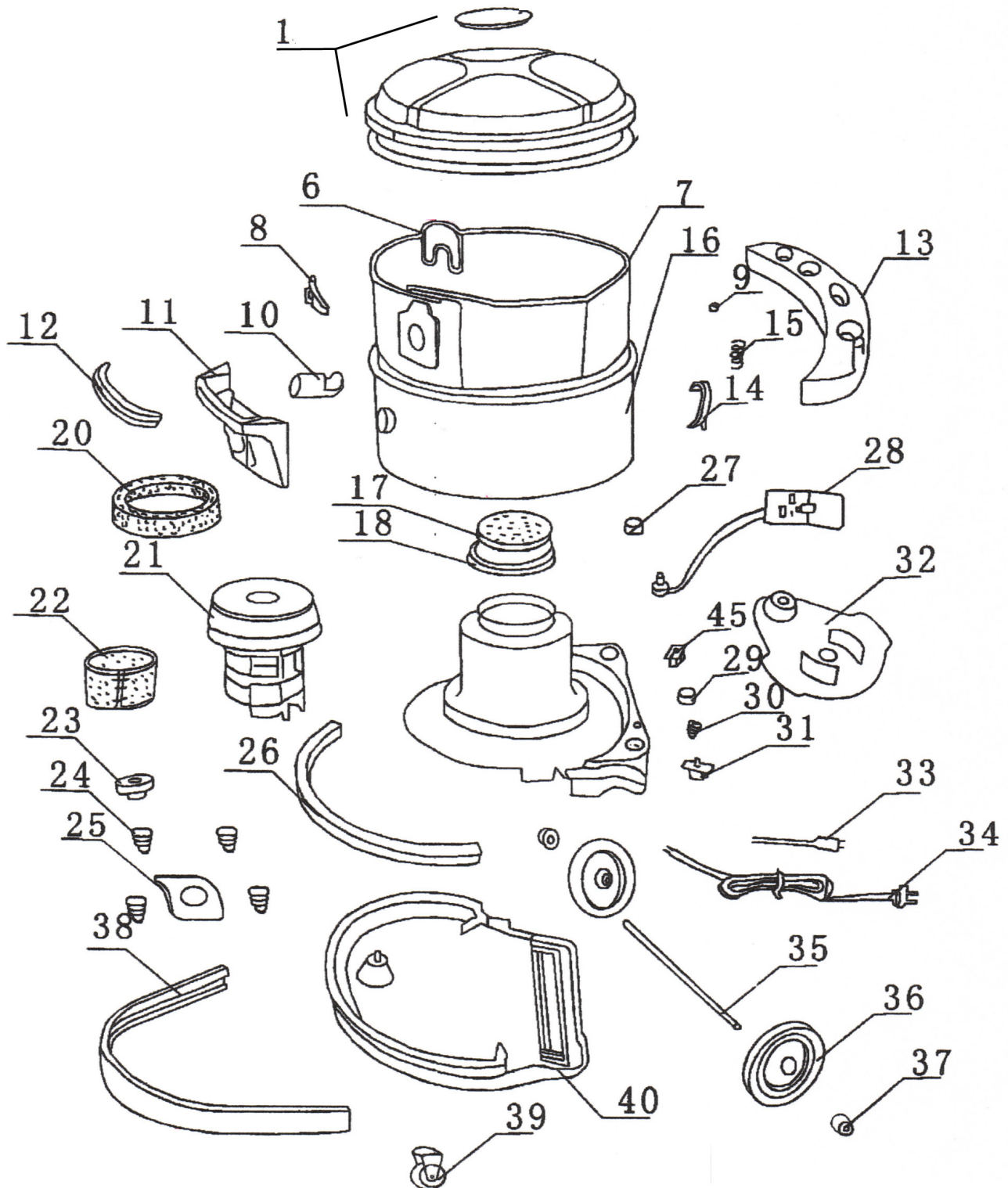


SYCLONE™

H4GVC HEPA VACUUM

Replacement Parts

Model H4GVC HEPA Vacuum



Ref.	Part No.	Description	Ref.	Part No.	Description
1	124-7011-14-1	Lid Complete	24	124-7018-14	Motor Support Spring
6	124-7032-14	Air Input Plate	25	124-7025-14	Motor Support Plate
7	122-3202 -14	Paper Bag	26	124-7013-14	Exhaust Foam 3900
8	124-7020-14	Filter Bag Block	27	124-7037-14	Speed Control Bar
9	124-7034-14	Pothook Jacket	28	124-7038-14	PCB
10	124-7023-14	Bag Scoop	29	124-7014-14	Switch Knob
11	124-7016-14	Carrying Handle	30	124-7019-14	Switch Spring
12	124-7022-14	Carrying Handle Cover	31	124-7002-14	Switch
13	124-7017-14	Tool Holder	32	124-7006-14	Motor Cover
14	124-7007-14	Clamp 3900	33	124-7039-14	Thermal Protector
15	124-7035-14	Pothook Spring	34	124-7004-10	Cordset 3900 120V
16	124-7008-14	Stainless Steel Tank	35	124-7040-14	Wheel Shaft
17	124-7036-14	Inlet Filter	36	124-7041-14	Big Wheel
18	124-7009-14	Center Filter Seal	37	124-7042-14	Rubber Jacket of Wheel
19	124-7015-14	Motor Shroud	38	124-7012-14	Bumper
20	124-7021-14	Motor Fan End Gasket	39	124-7001-14	Caster
21	124-7028-10	Motor	40	124-7005-14	Bottom Cover
22	124-7026-14	Noise Reducing Foam	45	124-7027-14	Auxiliary Outlet
23	124-7024-14	Motor Ring			

