



SURVIVAIR®

2006/2007 Parts Price Book



See
American Airworks
Labor Rates
on Page 26

For fast service or to order parts, call

800-523-7222



PO Box 1000 - Sophia, WV 25921
304-683-4595 - 304-683-3257 Fax

www.americanairworks.com

Effective September 15, 2006 – June 30, 2007
Prices subject to change without notice.



3001 S. Susan St. - Santa Ana, CA 92704
www.survivair.com

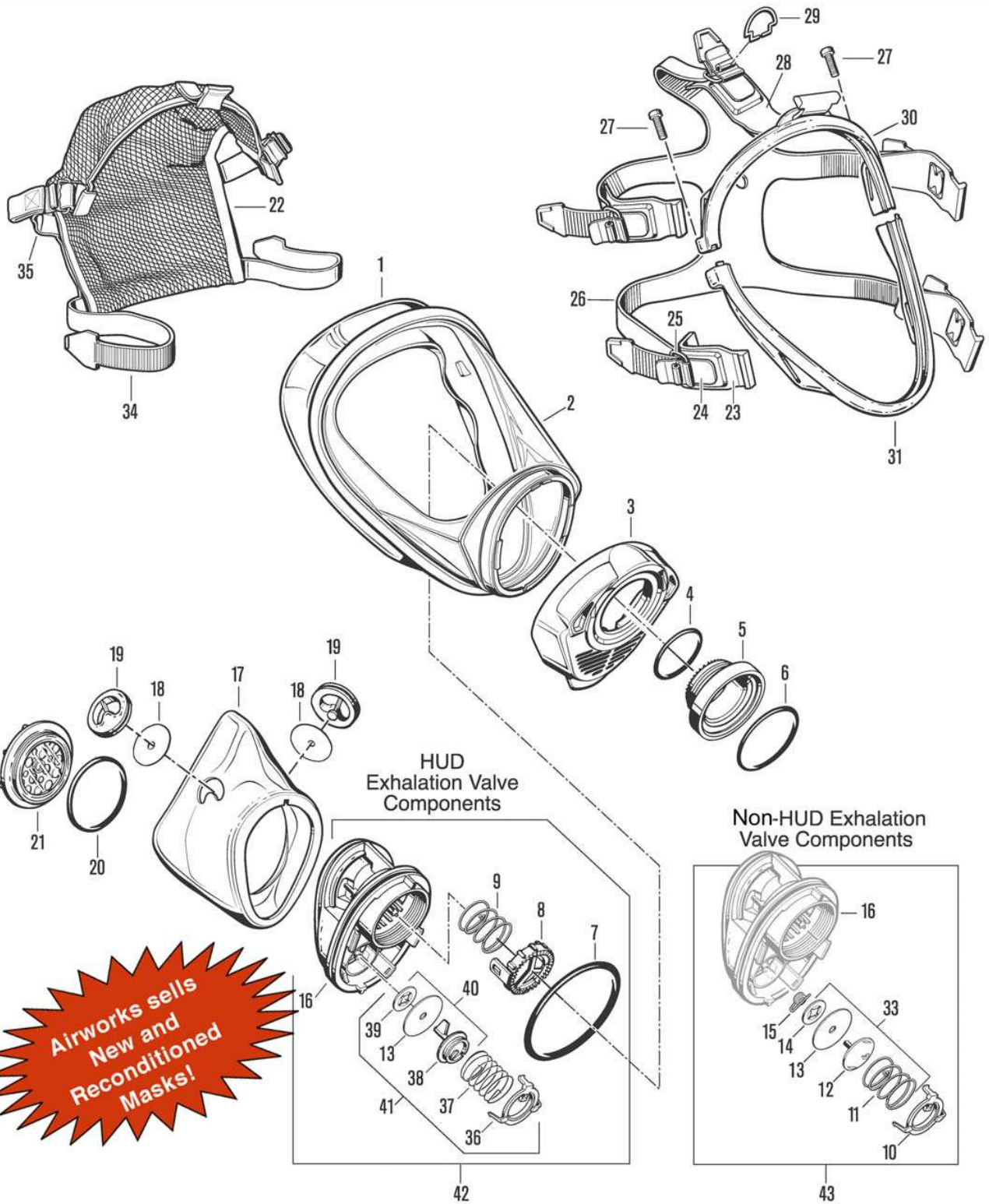
Table of Contents

SURVIVAIR Authorized Warranty Service Centers	ii
TwentyTwenty Plus HUD-Compatible Facepiece and TwentyTwenty Plus Facepiece	.1
Puma Hood	.3
TwentyTwenty Facepiece (Only Available as Spare Facepiece)	.5
Classic Facepiece	.7
Panther/Cougar MightyLight Backpack, Heads-Up Display (HUD)	.9
Panther/Cougar/SECOBA/Panther LO-PRO MightyLight Backpack (Discontinued)	.11
Panther/Cougar MightyLight Backpack, Australian	.13
SIGMA/OMEGA/SECOBA/LO-PRO MightyLight Backpack (Discontinued)	.15
Panther/SIGMA Classic Backpack (Discontinued)	.17
OMEGA/SECOBA Classic Backpack (Discontinued)	.19
LO-PRO Classic Backpack (Discontinued)	.20
SIGMA/OMEGA/SECOBA/LO-PRO First Stage Regulator, Machined Body (Discontinued)	.21
Panther/Cougar/Commando with ADAM/SIGMA/OMEGA/SECOBA/LO-PRO First Stage Regulator, Forged Body (Discontinued)	.22
Panther/Cougar First Stage Regulator, Forged Body, with Bell Alarm/Plain Whistle Alarm/Warbling Whistle Alarm; HUD, RIC UAC Connection	.23
Heads-Up Display (HUD) Module and Panther/Cougar Second Stage Regulator	.25
How to Upgrade to NFPA 1981, 2002 Edition	.25
Panther/Cougar/SECOBA/MARK 3/LO-PRO, Panther HIP-PAC, Panther SAR (LO-PRO and SECOBA Discontinued) Second Stage Regulator	.27
SIGMA/OMEGA/SECOBA/MARK 3/LO-PRO/SIGMA SAR/SIGMA HIP-PAC Second Stage Regulator (Discontinued)	.29
Panther/Cougar/SIGMA/OMEGA/SECOBA/LO-PRO Gauge/Alarm (Discontinued)	.31
ADAM (Advanced Display and Alarm Module)	.32
Analog Gauge with Visual Alarm	.32
Radio Communication System (RCS) and SmallTalk Plus for TwentyTwenty Plus Facepiece (HUD-Compatible)	.33
TwentyTwenty Plus Facepiece Radio Communication System (RCS) and SmallTalk Plus (Discontinued)	.35
TwentyTwenty Facepiece Radio Communication System and SmallTalk (Discontinued—See pp. 33 & 34)	.36
Classic Facepiece Radio Communication System	.37
SmallTalk Voice Projection Unit for Classic Facepiece	.37
DoublePASS Remote PASS Alarm Module	.38
COMPASS Integrated PASS Device	.38
Panther/SIGMA/Cougar/OMEGA/LO-PRO/SECOBA APR Adapter/Qualitative and Quantitative Fit Test Adapters	.39
MARK 2/MARK 1/XL/APR Nose Cup Kits and MARK 2 Storage Adapter Kit	.40
SuperCharge Assemblies	.41
MARK 2-Style Facepiece with SIGMA Nozzle (Discontinued)	.43
MARK 2/XL Facepiece and Hose Assemblies (Discontinued)	.44
MARK 2/MARK 3 Backpack (Discontinued)	.45
MARK 2/MARK 3/Panther and SIGMA w/Bell Alarm First Stage Regulator	.47
MARK 2 Second Stage Regulator/SAR Regulator/MARK 2 HIP-PAC (Discontinued)	.49
Facepiece and Low Pressure Hose, MARK 1/XL/S Series (Discontinued)	.51
XL-30 Backpack (Discontinued)	.52
XL Regulator (Discontinued)	.53
Audible Alarm, L.P. and H.P., S-30/MARK 1/XL-30/XL-60 SCBA, SAR, Air Cart	.55
Spectacles Kits and MARK 2 "Y" Adapter Kit	.56
Cylinder Valve, H.P. and L.P.	.57
SURVIVAIR Cylinder Specifications	.58
HIP-PAC and EBA Pressure Reducer and Hood	.59
Cylinder and Valve Assemblies, MARK 2/Panther/SIGMA HIP-PAC and EBA	.60
Facepiece and Regulator Assemblies for HIP-PAC, SAC PAC, and SAR w/P100 (Discontinued)	.61
MARK 2 SAR Full Facepiece and Hose Assembly, Pressure Demand (Discontinued)	.63
MARK 2 SAR Half Mask and Hose, Continuous Flow and Pressure Demand	.64
Opti-Fit SAR Full Facepiece and Hose, Continuous Flow	.65
Low Pressure SAR, Full Hood, Continuous Flow	.66
MARK 2 SAR Full Facepiece and Hose Assy., Continuous Flow and Controller, & Continuous Flow w/P100	.67
Salvage-Master	.69
Portable Test Console (Discontinued)	.70
Rapid Intervention Team (RIT) Kit and Rapid Intervention Crew/Universal Air Connection (RIC-UAC) Kit	.71
Air Cart II (Produced After 10/00)	.72
Air Cart Case and Manifold Assy. (Produced Prior to 9/00) (Discontinued)	.73
Air Cart Hand Truck and Accessory Case Kit (Produced Prior to 9/00) (Discontinued)	.74
AirStation	.75
PortaStation	.76
Recommended Air Source, Supplied Air Respirators and HIP-PACs	.77
Supplied Air Accessories	.78
Supplied Air Accessories (MARK 2 SCBA SAR Combo Adapter Kit and HAZMAT Suit Pass-Through)	.79
Miscellaneous	.80

Survivair Authorized Warranty Service Centers 2006/2007

<p>U.S.A.</p> <p>Alabama North American Fire Equipment, Co., Inc. (NAFECO) 1515 W. Moulton St., Decatur, AL 35601 800-628-6233 256-353-7100 256-355-0852 (Fax) www.nafeco.com</p> <p>Alaska Arctic Fire & Safety 702 - 30th Ave., Fairbanks, AK 99701 907-452-7806 907-452-7876 (Fax) bobby@arcfire.com</p> <p>Arizona ACCUCAL 1775 S. Pantano Road #140, Tucson, AZ 85710 520-751-2799 520-751-2868 (Fax) L.N. Curtis & Sons (Phoenix) 6005 So. 40th St., Suite 4, Phoenix, AZ 85042 602-453-3911 602-453-3910 (Fax)</p> <p>California Survivair Respirators, Inc. (Factory) 3001 S. Susan St., Santa Ana, Ca 92704 800-821-7236 800-394-0410 800-201-4407 (Fax) www.survivair.com SCBA Safety Check 43260 Christy St., Fremont, CA 94538-3172 888-723-3722 510-226-1390 510-226-1306 (Fax) L.N. Curtis & Sons (Oakland) 1800 Peralta St., Oakland, CA 94607 800-443-3556 510-839-5111 541-839-5325 (Fax)</p> <p>Colorado High Country Fire Equipment, Inc. (formerly High Country SCBA, LLC) 26 North Stymie Ct., Pagosa Springs, CO 81147 970-731-4241 970-731-0248 (Fax) jbower@outerbounds.net</p> <p>Connecticut Industrial Safety & Supply, Inc. 176 Newington Rd., West Hartford, CT 06110 800-243-2316 860-233-9881 860-236-7603 (Fax) www.IndustrialSafety.com</p> <p>Florida Porche Fire Equipment, Inc. (Lakeland) 8240 U.S. Hwy. 98 North, Lakeland, FL 33809 888-556-5757 863-815-5600 863-838-5573 863-815-3353 (Fax) equipment@mfi.net</p> <p>Illinois SCBA's, Inc. 403 Peoria St., Washington, IL 61571 800-747-7442 309-444-7442 309-444-3180 (Fax)</p> <p>Indiana M&S Fire & Safety, Inc. 670 E. Franklin St., Evansville, IN 47711 812-424-3863 812-421-3707 (Fax)</p> <p>Kentucky High Tech Rescue, Inc. 250 Rockbridge Rd., Shelbyville, KY 40065 888-848-6144 502-633-0659 (Fax)</p> <p>Louisiana Porche Fire Equipment, Inc. (Houma) 7046 Park Avenue, Houma, LA 70364 985-580-1555 985-580-1556 (Fax) equipment@mfi.net BGS, LLC 14407 Hwy 431, St. Amant, LA 70774 866-247-3472 225-622-0352 225-622-6157 (Fax)</p> <p>Maryland Safeware, Inc. (Largo) 9475 Lottsford Rd., Ste. 150, Largo, MD 20774 800-331-6707 301-925-1234 301-925-2060 (Fax) frhoades@safewareinc.com</p>	<p>Michigan ASC - Mastertek P.O. Box 130, 46410 Continental Dr. Chesterfield, MI 48047 800-327-4260 586-840-3220 586-840-3221 (Fax) www.Argus-Group.com ASC - Mastertek 7610 Clyde Park, Ste C, Byron Center, MI 49315 800-962-7837 651-454-7233 621-454-3217 (Fax)</p> <p>Minnesota Continental Safety Equipment 899 Apollo Rd., Eagan, MN 55121 800-844-7003 621-454-7233 651-454-3217 (Fax) kryke@csesafety.com</p> <p>Missouri Colt Safety 8300 Manchester Rd., St. Louis, MO 63144 800-475-2222 314-961-7075 314-961-9166 (Fax) www.coltsafety.com</p> <p>Montana DXP Safety Master 1111 S. 27th St., P.O. Box 30277 Billings, MT 59101 800-947-7120 406-248-8098 406-259-0816 (Fax)</p> <p>New Hampshire Station House Supply 375 Jaffrey Rd., Peterborough, NH 03458 866-813-9111 603-784-2028 603-525-3251 (Fax) www.stationhousesupply.com</p> <p>New Jersey Approved Fire Protection 114 St. Nicholas Ave. South Plainfield, NJ 07080-1808 908-755-2222 908-769-1424 (Fax) www.approvedfire@msn.com Continental Fire & Safety, Inc. 180 Volusia Ave., Trenton, NJ 08610-2826 800-313-1846 609-588-0096 609-584-0405 (Fax) www.confire1.com or confire@aol.com</p> <p>North Carolina Mobile Test 1972 St. Andrews Church Rd., Sanford, NC 27332 919-776-8771 919-776-8771 (Fax)</p> <p>New York Municipal Emergency Services (MES) 266 N. Plank Road, Newburgh, NY 12550 845-564-5200 845-564-5226 (Fax)</p> <p>Ohio Warren Fire Equipment 2044 "B" S. Alex Rd., West Carrollton, OH 45449 937-866-8918 937-866-7035 (Fax)</p> <p>Oregon A-L Compressed Gases/Certified Air Safety 2233 N.W. 23rd Avenue, Portland, OR 97210 503-226-0582 503-226-0988 (Fax) www.alcompressedgases.com L.N. Curtis & Sons (Seaside) 390 Forest Court, Seaside, OR 97138 800-426-6633 503-440-5456 503-735-2118 (Fax)</p> <p>Pennsylvania Compressed Air Systems, Inc. 5519 Old Easton Rd., P.O. Box 567 Doylestown, PA 18901 215-340-1307 215-489-0412 (Fax) Susquehanna Fire Equipment Co. (Dewart) P.O. Box 209, 2122 Main St., Dewart, PA 17730 800-822-2105 570-538-5505 (570) 538-5907 (Fax) www.susquehannafire.com Susquehanna Fire Equipment Co. (North Huntingdon) 11322 Center Hwy., North Huntingdon, PA 15642 800-494-0580 724-861-8872 724-861-8865 (Fax) www.susquehannafire.com</p>	<p>South Carolina Carolina Fire Services 8609 Fair Forest Rd., Spartanburg, SC 29301 864-674-2323 864-574-1432 (Fax) carofire1@aol.com</p> <p>Texas Fire Supply, Inc. P.O. Box 89, 500 W. Railroad, Godley, TX 76044 817-389-2377 800-338-1461 817-389-3413 (Fax) www.firesupplyinc.com Kimco Services, Inc. 103 Oyster Creek Dr., #3, Lake Jackson, TX 77566 800-460-7222 979-297-9246 979-297-9246 (Fax) www.kimco-services.com Simplex Grinnell 7604 Kempwood Dr., Houston, TX 77055 713-644-8872 713-644-9469 (Fax) ewise@tycoint.com</p> <p>Utah L.N. Curtis & Sons (Salt Lake City) 1195 S. 300 West, Salt Lake City, UT 84101 801-486-7285 801-487-1278 (Fax)</p> <p>Virginia Guardian Fire & Safety 957-A Myers St., Richmond, VA 23230 800-345-3473 804-353-8016 804-353-0574 (Fax) Safeware, Inc. (Richmond) 5641 S. Laburnum Ave., Richmond, VA 23231 800-814-7898 804-236-0579 804-226-8405 (Fax) www.safewareinc.com Vest's Sales & Service, Inc. 1157 Stonewall Rd. N.E., Check, VA 24072 866-225-8144 540-621-3911 540-651-6717 (Fax) Rvest@swva.net</p> <p>Washington Breathing Apparatus Repair Service (BARS) P.O. Box 3584, 233 S. Holden St. Seattle, WA 98108 800-625-6268 206-767-1833 206-767-0959 (Fax) L.N. Curtis & Sons (Seattle) 629 S. Industrial Way, Seattle, WA 98108 800-523-7222 304-683-4595 304-683-3257 (Fax)</p> <p>West Virginia American Airworks, Inc. 209 E. Main St., Sophia, WV 25921-1000 800-523-7222 304-683-4595 304-683-3257 (Fax) www.americanairworks.com</p>	<p>Levitt-Safety Limited 9241 48th Street, Edmonton, Alberta T6E 2R9 800-661-3973 780-461-8088 780-461-8371 (Fax)</p> <p>Newfoundland K&D Pratt, Ltd. 73 Blackmarsh Road, P.O. Box 8160 St. John's, Newfoundland A1B 3N3 709-722-5690 709-722-6975 (Fax)</p> <p>Nova Scotia Century-Vallen (Industrial [non-fire department] customers only) 100 Ilsey Avenue, Suite D Dartmouth, Nova Scotia B3B 1L3 902-481-8869 902-481-8839 (Fax) cvtechnicalservices.com</p> <p>Ontario Century-Vallen (Industrial [non-fire department] customers only) 133 Dalton Avenue, Kingston, Ontario K7K 6C2 613-549-9282 613-549-2267 cvtechnicalservices.com Century-Vallen (Industrial [non-fire department] customers only) 27 Seapark Drive, Unit #1 St. Catharines, Ontario L2M 6S5 905-688-1866 905-688-5020 (Fax) cvtechnicalservices.com Century-Vallen (Industrial [non-fire department] customers only) 854 Upper Canada Dr., Samia, Ontario N7W 1A4 519-344-1644 519-332-5859 (Fax) cvtechnicalservices.com Levitt-Safety Limited 2872 Bristol Circle, Oakville, Ontario L6H 5T5 800-668-6153 905-829-3299 905-829-2919 (Fax)</p> <p>Québec CMP Mayer Inc. 2250 Andre C Hanel Drummondville, Québec, J2C 8B1 819-474-2111 819-474-7494 (Fax) Levitt-Sécurité Ltée. 659 Avenue Meloche, Dorval, Québec H9P 2T1 800-361-5775 514-636-9011 514-636-0923 (Fax)</p> <p>Saskatchewan Century-Vallen (Industrial [non-fire department] customers only) 563 McDonald Street Regina, Saskatchewan S4N 4X1 306-721-2223 306-721-2344 (Fax) cvtechnicalservices.com</p> <p>Philippines Safety Center of the Philippines (Formerly Alta-Meco, Inc.) P.O. Box 1762 MCPO Makati Metro Manila, 1257, Philippines 632-821-2851 632-821-2814 (Fax)</p> <p>Taiwan Chen Wei Safety Corp., Ltd. 6FL No. 156u, Hungchang, 6th Street Taoyuan City 330, Taiwan 8863-3690531 8863-3608605 (Fax)</p> <p>Thailand KPS Intermarketing Co. Ltd. 232 8 Soi 93 Ladphrao Rd. Bangkok 10310, Thailand 662-542-1650 662-542-1648 (Fax) Methavee Trading Co. 63/26 Charansanitwong Rd. Banghunsri 10700, Thailand 662-412-4182, 662-412-2758, 662-866-7276/7 662-412-1104 (Fax)</p>
---	--	--	--

**TwentyTwenty® Plus Commando Facepiece (2620)
 TwentyTwenty® Plus HUD-Compatible Facepiece (2520 and 2420) and
 TwentyTwenty® Plus Facepiece (2220)**



**Airworks sells
 New and
 Reconditioned
 Masks!**

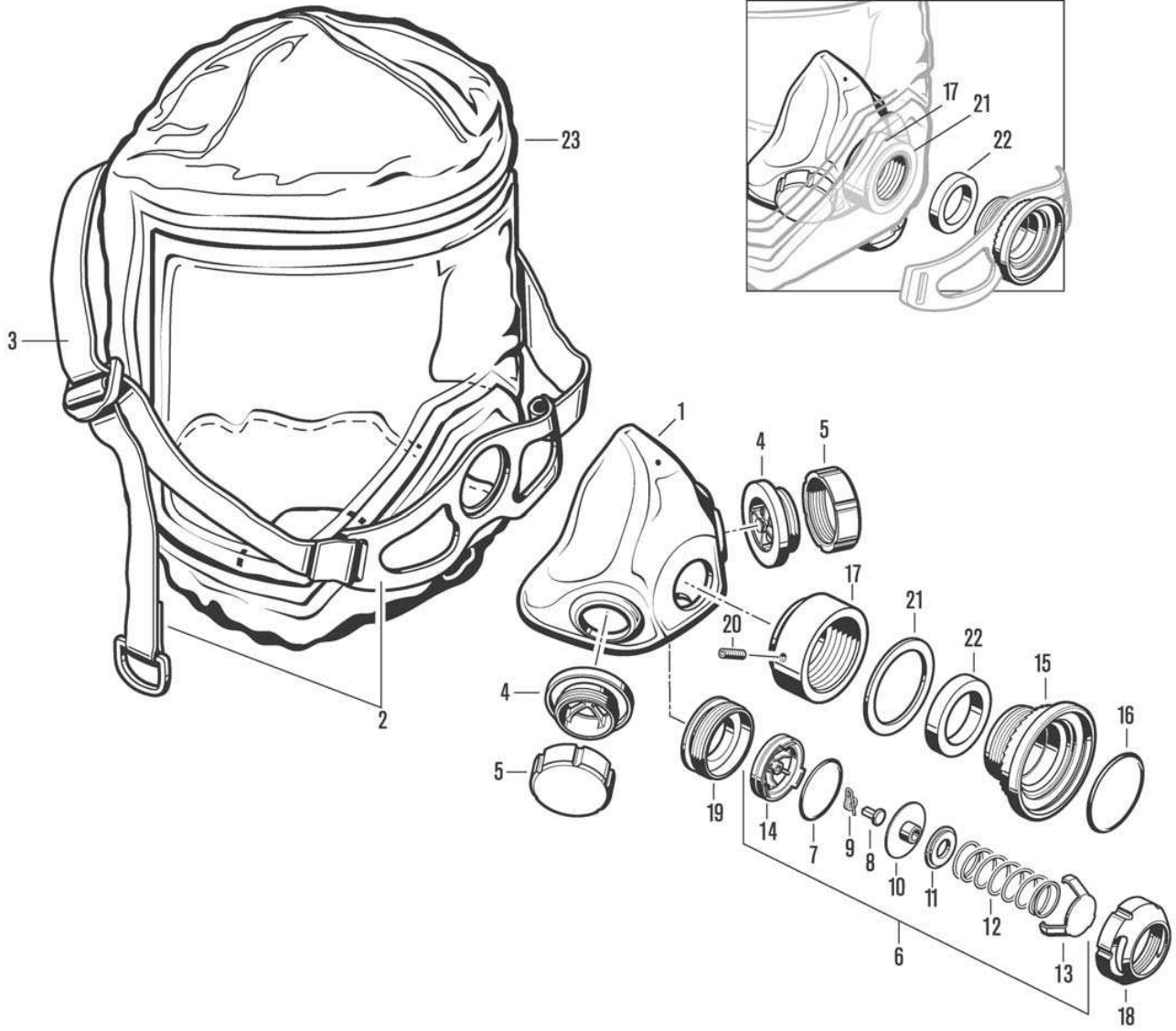
**TwentyTwenty® Plus Commando Facepiece (2620)
 TwentyTwenty® Plus HUD-Compatible Facepiece (2520 and 2420) and
 TwentyTwenty® Plus Facepiece (2220)**

Part	Description	Price
See SCBA Price List for TwentyTwenty Plus Facepiece part numbers and prices.		
1	962156 Skirt, Small, Blue	55.70
	962157 Skirt, Small, Black	59.70
	962165 Skirt, Medium, Blue	55.70
	962167 Skirt, Medium, Black	59.70
	962175 Skirt, Large, Dark Gray	55.70
	962177 Skirt, Large, Black	59.70
	962158 Skirt, Small, Black, CBRN	79.00
	962168 Skirt, Medium, Black, CBRN	79.00
	962176 Skirt, Large, Black, CBRN	79.00
2	968935 Lens, HUD	50.00
	969027 Lens, HUD (Discontinued)	44.00
	968875 Lens, non-HUD Style	42.00
	962847 Lens, non-HUD Style (Discontinued)	42.00
3	968806 Cover, Nozzle, HUD Style	10.40
	962804 Cover, Nozzle, non-HUD Style (Not Shown)	10.40
	242110 Cover, Nozzle, HUD Style, CBRN	10.40
4	820029 O-ring	1.50
	820053 O-ring, CBRN	1.50
5	968807 AIR KLIC, HUD Style	20.20
	962060 AIR KLIC, non-HUD Style	20.20
	969154 AIR KLIC, HUD Style CBRN	20.20
6	82013110 O-ring (Pkg. of 10)	15.00
	820142 O-ring, CBRN	2.00
7	820261 O-ring	5.30
8	962830 Ratchet Ring	7.80
9	961328 Spring	1.00
10	962813 Spring Retainer, non-HUD Style	1.60
11	962811 Spring, non-HUD Style	4.00
12	962834 Exhalation Valve Pin, non-HUD Style	2.20
13	962835 Exhalation Valve	1.50
14	962826 Exhalation Valve Retaining Washer, non-HUD Style	1.50
15	961073 Spring, non-HUD Style (Discontinued)	1.40
16	963099 Nozzle, HUD Style	18.00
	962806 Nozzle, non-HUD Style	16.20
17	962144 Nose Cup, Medium	13.40
	962146 Nose Cup, Small	13.40
	962141 Nose Cup, Large	13.40
	962149 Nose Cup, Medium, Black Commando	14.40
	962148 Nose Cup, Small, Black Commando	14.40
	702025 Nose Cup, Large, Black Commando	14.40

Part	Description	Price
18	763019 Valve	2.40
19	962090 Valve Holder	1.60
20	820031 O-ring	0.90
21	941759 Speaking Diaphragm	14.10
22	969019 Headnet Kit w/Silicone Strap	96.00
	960038 Headnet Kit (Discontinued)	96.00
23	962819 Buckle Strap, Lateral (4 req. for Headstrap; 2 req. for Headnet)	1.30
24	702011 Buckle (Black)	1.00
	968975 Buckle, CBRN (Gray)	3.30
25	702008 D-ring	.50
26	962114 Headstrap, Black, '97 NFPA	41.80
27	839102 Screw (2 req.)	1.10
28	962818 Buckle Strap, Top	3.50
29	962807 D-ring, Facepiece Hanger	6.00
30	962031 Rim Assembly, Upper	10.50
31	962037 Rim Assembly, Lower	10.50
32	962810 Nozzle Assembly, non-HUD Style (Incl. #'s 7, 8, 9, 10, 15, 16, 33; Not Shown)	42.40
33	Z962837 Valve Retainer Assembly, non-HUD Style (Incl. #'s 11, 12, 13, 14)	8.90
34	969017 Headnet Lower Adjustment Strap, Silicone	9.30
	960109 Headnet Lower Adjustment Strap (Nomex, Discontinued)	9.10
35	968630 Headnet Upper Adjustment Strap	9.10
36	963067 Spring Retainer, HUD Style	1.50
37	964186 Spring, Exhalation Valve, HUD Style	8.00
38	963110 Exhalation Valve Pin, HUD Style (White)	3.80
	963097 Exhalation Valve Pin, HUD Style (Black, Discontinued)	1.50
39	964229 Exhalation Valve Retainer, HUD Style	1.50
40	Z964183 Valve Retainer Assembly, HUD Style (Incl. #'s 13, 38, 39)	45.00
41	Z964181 Exhalation Valve Assembly, HUD Style (Incl. #'s 36, 37, 40)	14.00
42	964226 Nozzle Assembly, HUD Style (Incl. #'s 7, 8, 9, 16, 41)	46.00
43	962810 Nozzle Assembly, Non-HUD Style (Incl. #'s 7, 8, 9, 16, 31)	42.40
44	960104 Split Ring, 3/4"	0.90
KITS		
	962134 Skirt, Small, Black, w/Temple Inserts, Silicone	135.00
	962135 Skirt, Medium Black, w/Temple Inserts, Silicone	135.00
	962137 Skirt, Large Black, w/Temple Inserts, Silicone	135.00
	962150 Skirt, Small, Black, w/Temple Inserts, Butyl, CBRN	135.00
	962153 Skirt, Medium Black, w/Temple Inserts, Butyl, CBRN	135.00
	962154 Skirt, Large Black, w/Temple Inserts, Butyl, CBRN	135.00

<p>FIT TESTING</p> <p>QUALITATIVE</p> <p>For qualitative fit testing, use P/N 962900 APR Adapter. For saccharin, Bitrex, or smoke tubes, use P/N 105005 P100 filters. For isoamyl acetate (IAA) or "banana oil," use P/N 100100 organic vapor cartridges.</p> <p>QUANTITATIVE</p> <p>For quantitative fit testing, use P/N 962900 APR Adapter, P/N 962920 quantitative fit test adapter, and P/N 105005 P100 filters.</p>
--

Puma Hood (9680)



Puma Hood (9680)

Part	Description	Price
968005	Puma Hood Assy., Small	310.00
968006	Puma Hood Assy., Medium	310.00
968007	Puma Hood Assy., Large	310.00
1	968011 Puma Nose Cup, Small	13.40
	968012 Puma Nose Cup, Medium	13.40
	968013 Puma Nose Cup, Large	13.40
2	968008 Yoke and Adjusting Straps	45.00
3	968042 Harness Assy., Hood	4.50
4	B140002 Threaded Connector (2 req.) (Pkg. of 2)	2.00
5	985020 Cap (2 req.)	4.80
6	968052 Exhalation Valve Assy. (Incl. #'s 7 - 14)	21.50
7	820051 O-ring	0.90
8	961072 Stem	1.40
9	962865 Spring	3.50
10	961076 Exhalation Valve	6.10

Part	Description	Price
11	961077 Plate	1.40
12	961078 Spring	4.00
13	961079 Spring Retainer	3.60
14	968049 Body	4.00
15	961084 AIR KLIC	19.00
16	82013110 O-ring (Pkg. of 10)	15.00
17	964825 AIR KLIC Adapter	30.00
18	968047 Exhalation Valve Guard	11.00
19	968048 Exhalation Valve Seat	11.00
20	835014 Set Screw	1.50
21	968058 Gasket, Hood ¹	3.00
22	968059 Gasket, AIR KLIC	3.00
23	968030 Hood Assembly	98.00

Legend

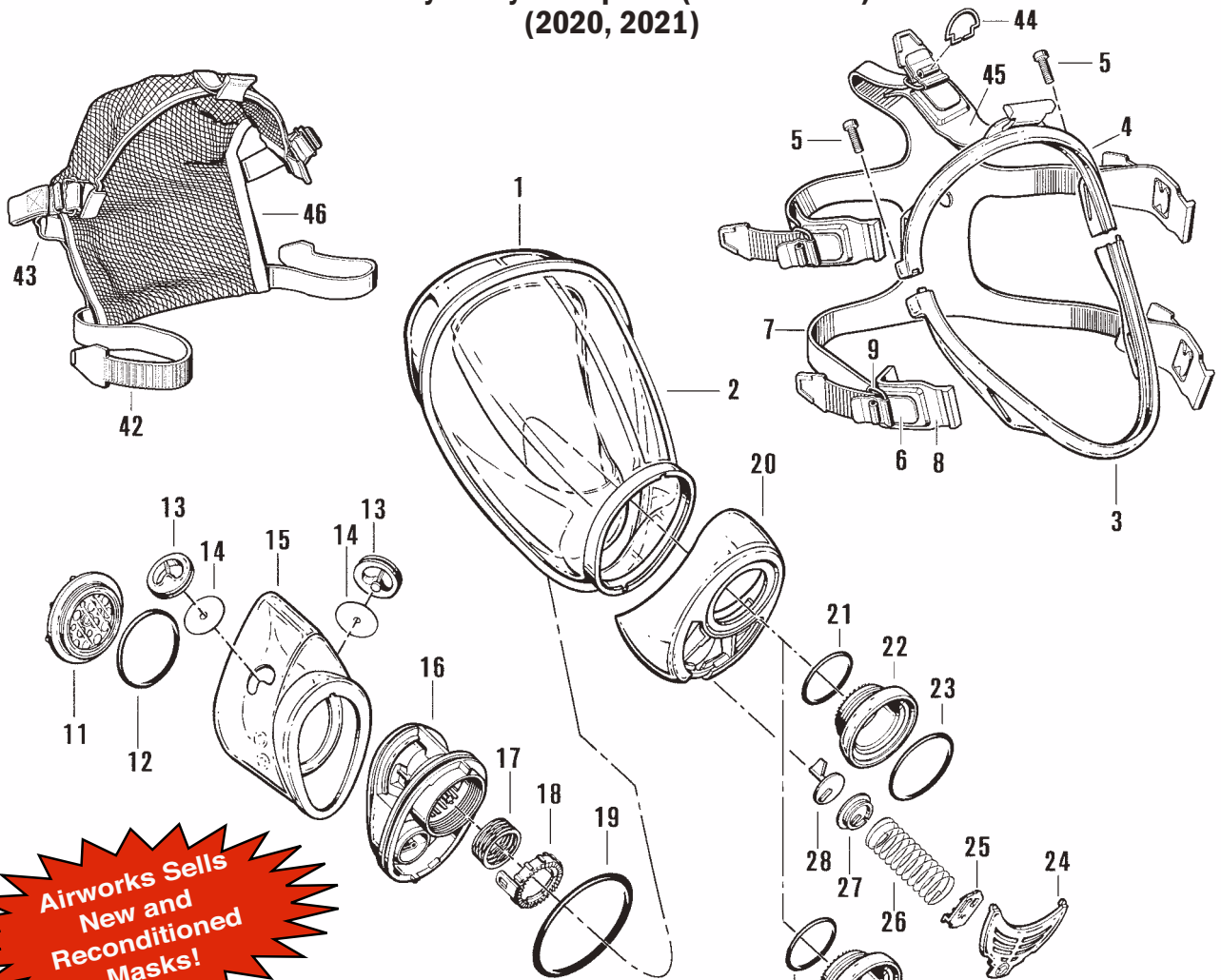
¹ Adhesive side of gasket toward item 17, AIR KLIC Adapter

FIT TESTING

QUALITATIVE

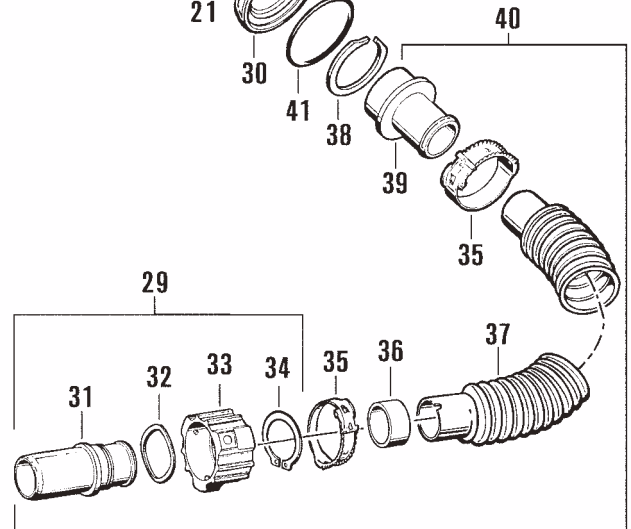
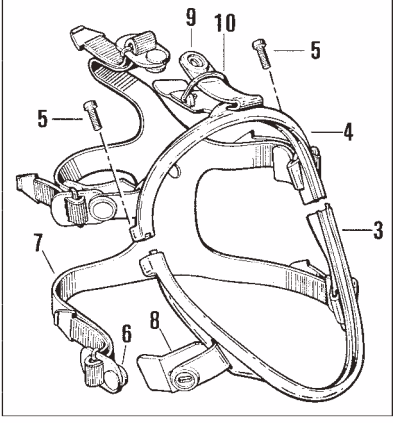
For qualitative fit testing, use P/N 962900 APR Adapter.
 For saccharin, Bitrex, or smoke tubes, use P/N 105005 P100 filters.
 For isoamyl acetate (IAA) or "banana oil," use P/N 100100 organic vapor cartridges.

**Panther®/Cougar™/SIGMA®/OMEGA/SECوبا/MARK 2/MARK 3
and LO-PRO® SCBA,
Panther/SIGMA HIP-PAC, and Panther/SIGMA SAR
TwentyTwenty® Facepiece (Discontinued)
(2020, 2021)**



**Airworks Sells
New and
Reconditioned
Masks!**

Discontinued



**Panther®/Cougar™/SIGMA®/OMEGA/SECOBA/MARK 2/MARK 3 and LO-PRO® SCBA,
Panther/SIGMA HIP-PAC, and Panther/SIGMA SAR TwentyTwenty® Facepiece (Discontinued) (2020,
2021)**

Part	Description	Price
1	962156 Skirt, Small, Blue	55.70
	962157 Skirt, Small, Black	59.70
	962165 Skirt, Medium, Blue	55.70
	962167 Skirt, Medium, Black	59.70
	962175 Skirt, Large, Dark Gray	55.70
	962177 Skirt, Large, Black	59.70
2	962013 Lens	57.60
3	962037 Rim Assembly, Lower	10.50
4	962031 Rim Assembly, Upper	10.50
5	839102 Screw (2 req.)	1.10
6	702011 Buckle	1.00
	962071 Headstrap Buckle Assembly (Discontinued)	3.70
7	962114 Headstrap, Black	41.80
8	962819 Buckle Strap, Lateral (4 req. for Headstrap; 2 req. for Headnet)	1.30
	962236 Lateral Buckle Strap, Black (Discontinued)	11.70
9	702008 D-ring	.50
	962210 Top Buckle Strap, Pierced, Black (Discontinued)	25.80
10	962078 Mask Hanger D-ring	2.90
11	941759 Speaking Diaphragm	14.10
12	820031 O-ring	0.90
13	962090 Valve Holder	1.60
14	763019 Valve	2.40
15	962144 Nose Cup, Medium	13.40
	962146 Nose Cup, Small	13.40
	962141 Nose Cup, Large	13.40
16	962042 Nozzle	16.10
17	961328 Spring	0.90
18	962063 Ratchet Ring	6.40
19	820261 O-ring	5.30
20	962050 Cover	9.20
21	820029 O-ring	1.50
22	962060 TwentyTwenty AIR KLIC	20.20
23	82013110 O-ring (Pkg. of 10)	15.00
24	962055 Exhalation Valve Access Cover	4.30
25	962095 Exhalation Valve Spring Retainer	2.40
26	962086 Exhalation Valve Spring	5.70
27	962088 Exhalation Valve Seal	16.90
28	962087 Exhalation Valve Stem	4.00
29	941872 Sleeve Assy., NFPA (Red) ¹	27.40
	980072 Sleeve Assy., Industrial (Black)	26.70

Part	Description	Price
30	962065 MARK 2 Adapter	20.30
31	980074 Sleeve Coupling	6.70
32	980075 Wave Spring Washer	2.30
33	941879 Pin and Nut Assy., NFPA (Red) ¹	12.90
	941779 Pin and Nut Assy., Industrial (Black)	11.80
34	861076 Retaining Ring	2.80
35	941732 Hose Clamp (2 req.)	2.50
36	980084 Hose Insert (NFPA Hose Only)	1.60
37	941820 Hose, MARK 2, NFPA, Notched, w/o Sleeves ¹	19.70
38	869000 Retaining Ring	10.30
39	941824 Hose Coupler	6.90
40	941814 MARK 2 Hose Assembly, Industrial	44.70
	² MARK 2 Hose Assembly, NFPA ¹	
	941847 MARK 2 Hose Assembly, SAR, HIP-PAC (2-pin, Black)	44.70
41	824026 O-ring	1.50
42	969017 Headnet Lower Adjustment Strap, Silicone	9.30
	Z960109 Headnet Lower Adjustment Strap (Nomex, Discontinued)	9.10
43	Z968630 Headnet Upper Adjustment Strap	9.10
44	962807 D-ring, Facepiece Hanger	6.00
45	962818 Buckle Strap, Top	3.50
KITS		
46	Z969019 Headnet Kit w/Silicone Strap	96.00
	² Headnet Kit (Discontinued)	
	962232 Neckstrap Kit, Black	41.00
	962246 TwentyTwenty Facepiece AIR KLIC and Speaking Diaphragm Removal Tool	89.00
	969060 TwentyTwenty Plus Upgrade Kit (HUD-compatible)	65.00
	969061 TwentyTwenty Plus Upgrade Kit (HUD-compatible) for use with SmallTalk or SmallTalk Plus	150.00
	969062 TwentyTwenty Plus Upgrade Kit (HUD-compatible) for use with RCS or RCS/SmallTalk	335.00
47	960104 Split Ring, 3/4"	0.90

Legend

¹ Parts with "F" stamped on them are used in SCBAs originally compliant with NFPA 1981, 1997 Edition. The notched hose is used in SCBAs originally compliant with NFPA 1981, 1997 Edition.

² No longer available.

FIT TESTING

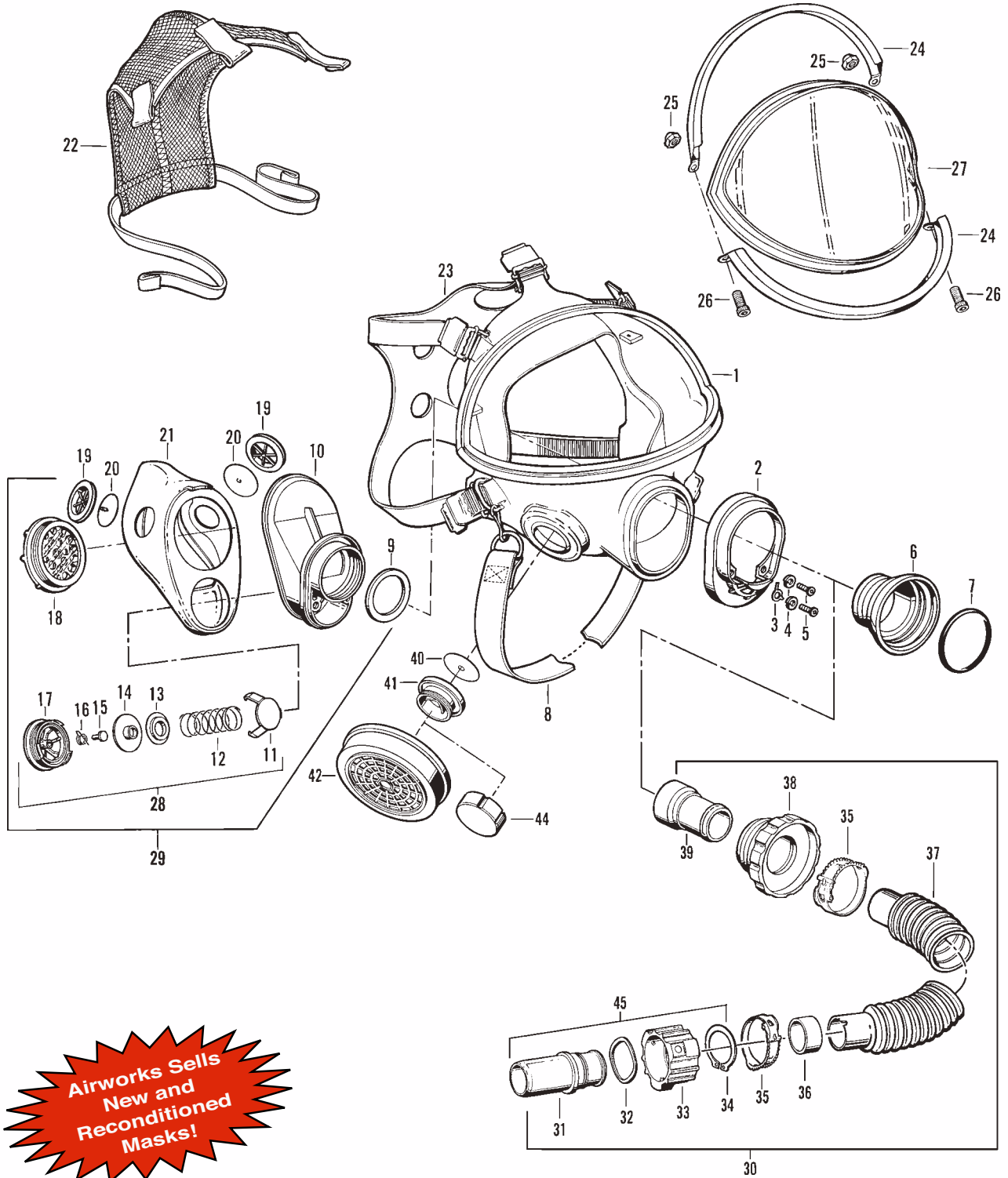
QUALITATIVE

For qualitative fit testing, use P/N 962900 APR Adapter.
For saccharin, Bitrex, or smoke tubes, use P/N 105005 P100 filters.
For isoamyl acetate (IAA) or "banana oil," use P/N 100100 organic vapor cartridges.

QUANTITATIVE

For quantitative fit testing, use P/N 962900 APR Adapter, P/N 962920 quantitative fit test adapter, and P/N 105005 P100 filters.

**Panther®/Cougar™/SIGMA®/OMEGA/SECOBA/MARK 3/LO-PRO® SCBA,
Panther/SIGMA HIP-PAC, and Panther/SIGMA/SAR
(LO-PRO and SECOBA Discontinued)
Classic™ Facepiece**



**Airworks Sells
New and
Reconditioned
Masks!**

**Panther®/Cougar™/SIGMA®/OMEGA/SECOBA/MARK 3/LO-PRO® SCBA,
Panther/SIGMA HIP-PAC, and Panther/SIGMA/SAR (LO-PRO and SECOBA Discontinued)
Classic™ Facepiece**

Part	Description	Price
See SCBA Price List for Classic Facepiece part numbers and prices.		
968420	Classic Facepiece, Standard, w/P100 Escape, Blue	280.00
968425	Classic Facepiece, Small, w/P100 Escape, Blue	280.00
968418	Classic Facepiece, Standard, w/P100 Escape, Black	280.00
968419	Classic Facepiece, Small, w/P100 Escape, Black	280.00
1	Z961091 Skirt Assy., Standard, Blue (Incl. #'s 23, 24, 25, 26, 27, & 47)	113.00
	961097 Skirt Assy., Small, Blue (Incl. #'s 23, 24, 25, 26, 27, & 47)	113.00
	968422 Skirt Assy., Standard, Black (Incl. #'s 23, 24, 25, 26, 27, & 47)	113.00
	³ Skirt Assy., Small, Black (Incl. #'s 23, 24, 25, 26, 27, & 47)	
	Z968421 Skirt Assy., Standard, Blue, w/P100	113.00
	³ Skirt Assy., Small, Blue, w/P100	
	968423 Skirt Assy., Standard, Black, w/P100	113.00
	³ Skirt Assy., Small, Black, w/P100	
2	961068 Cover	7.80
3	961095 Locking Pawl	4.40
4	846012 Lock Washer	0.90
5	832015 Screw	1.50
6	961084 AIR KLIC	19.00
7	82013110 O-ring (Pkg. of 10)	15.00
8	940172 Neckstrap Assy., Nomex ¹	12.00
9	961088 Gasket	2.00
10	961080 Nozzle	16.70
11	961079 Spring Retainer	3.60
12	961078 Spring	4.00
13	961077 Plate	1.40
14	961076 Exhalation Valve	6.10
15	961072 Stem	1.40
16	961073 Spring	1.40
17	961071 Body	3.70
18	941759 Speaking Diaphragm	14.10
19	962090 Valve Holder	1.60
20	763019 Valve	2.40
21	961083 Nose Cup, Standard	30.30
	961127 Nose Cup, Large	30.30
22	961710 Headnet, Standard Facepiece	70.00
	961720 Headnet, Small Facepiece	70.00
23	968409 Headstrap, NFPA, Black	40.40
	961094 Headstrap, OMEGA/SECOBA	41.20
24	941275 Rim, Metal	12.60
25	940106 Nut	1.20
26	839101 Screw	1.50
27	941264 Lens, NFPA	34.70
28	961070 Exhalation Valve Assy.	21.50

Part	Description	Price
29	Z961065 Nozzle Assy.	96.00
30	941805 MARK 2 Hose Assy., Industrial	60.60
	941806 MARK 2 Hose Assy., NFPA ²	60.60
	³ XL Hose Assy., Industrial	
	³ XL Hose Assy., NFPA	
31	980074 Sleeve Coupling	6.70
32	980075 Wave Spring Washer	2.30
33	941879 Pin and Nut Assy., NFPA (Red) ²	12.90
	941779 Pin and Nut Assy., Industrial (Black)	11.80
34	861076 Retaining Ring	2.80
35	941732 Hose Clamp (2 req.)	2.50
36	980084 Hose Insert (NFPA Hose Only) ²	1.60
37	941820 Hose, MARK 2, NFPA, Notched, w/o Sleeves ²	19.70
	925101 Hose, XL, NFPA	19.70
38	941817 Ratchet Ring	15.20
39	941819 Hose Coupler, NFPA ²	22.20
	941821 Hose Coupler, Industrial	7.10
40	B140001 Inhalation Valve (pkg. of 6)	3.90
41	B140002 Threaded Connector (pkg. of 2)	2.00
42	105005 P100 Cartridge (pkg. of 10)	38.50
43	Deleted	
44	985020 Cap	4.80
45	941872 Sleeve Assy., NFPA (Red) ²	27.40
	980072 Sleeve Assy., Industrial (Black)	26.70
46	³ Kit, Classic Facepiece w/MARK 2Hose Adapter, w/out Hose, Standard (Not Shown)	
	³ Kit, Classic Facepiece w/MARK 2 Hose Adapter, w/out Hose, Small (Not Shown)	
47	961661 Skirt w/Buckles, Standard, Blue	57.60
	961662 Skirt w/Buckles, Standard, Black	57.60
	³ Skirt w/Buckles, Small, Blue	
	961660 Skirt w/Buckles, Small, Black	57.60

Legend

¹ Not included in basic assembly. Available as an option.

² Parts with "F" stamped on them are used in SCBAs originally compliant with NFPA 1981, 1997 Edition. Notched hose is used in SCBAs originally compliant with NFPA 1981, 1997 Edition.

³ No longer available.

FIT TESTING

QUALITATIVE

For qualitative fit testing, use P/N 962900 APR Adapter, P/N 410015 small 5-point headstrap surrogate facepiece, or P/N 410019 standard 5-point headstrap surrogate facepiece.

For saccharin, Bitrex, or smoke tubes, use P/N 105005 P100 filters.
For isoamyl acetate (IAA) or "banana oil," use P/N 100100 organic vapor cartridges.

QUANTITATIVE

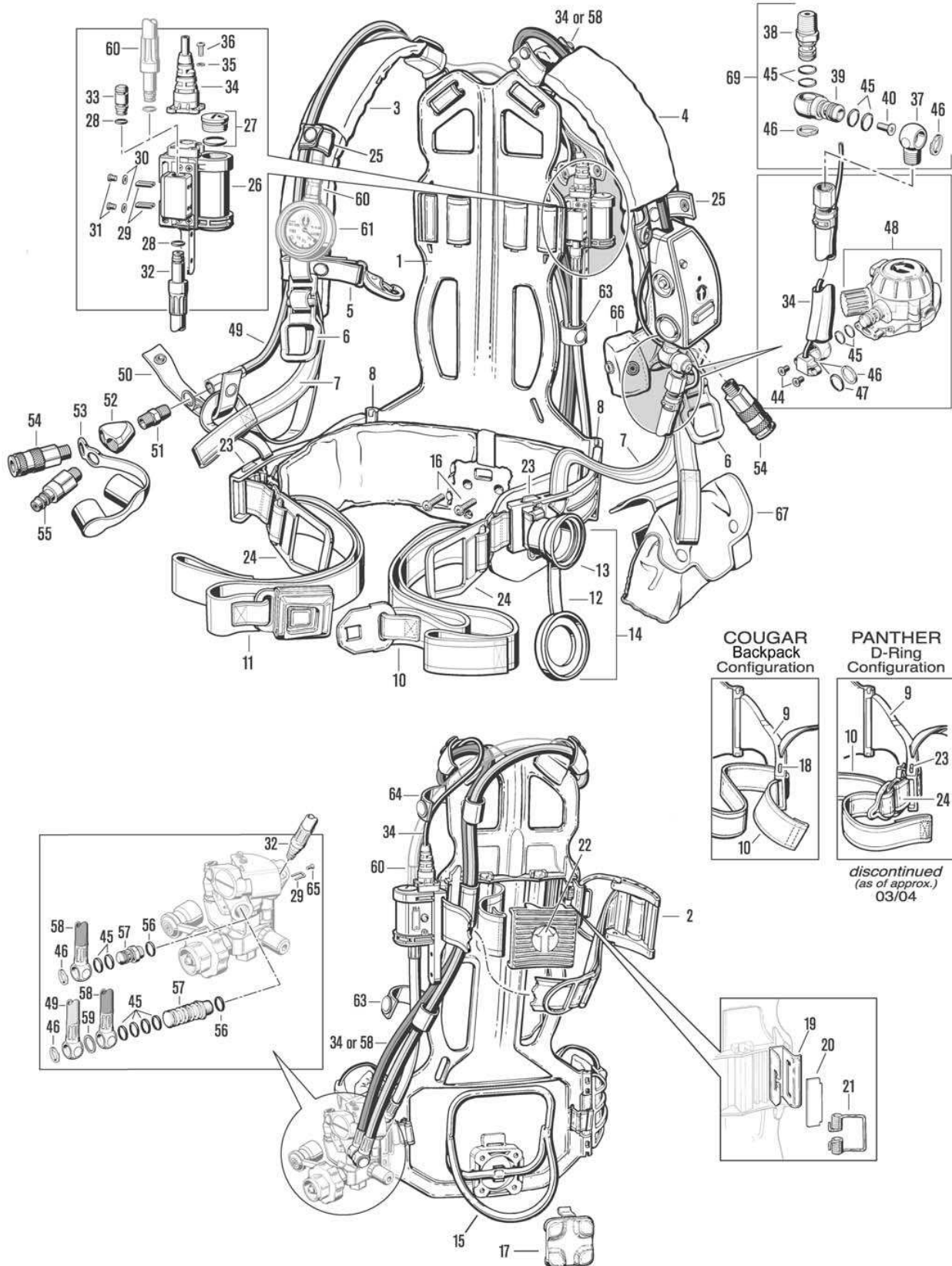
For quantitative fit testing, use P/N 962900 APR Adapter, P/N 962920 quantitative fit test adapter, and P/N 105005 P100 filters.

or

Use P/N 410019 small, probed, 5-point headstrap surrogate facepiece with P/N 105005 P100 filters or P/N 420019 standard, probed, 5-point headstrap surrogate facepiece with P/N 105005 P100 filters.



Panther®/Cougar™ MightyLight® Backpack, Heads-Up Display (HUD)



Panther®/Cougar™ MightyLight® Backpack, Heads-Up Display (HUD)

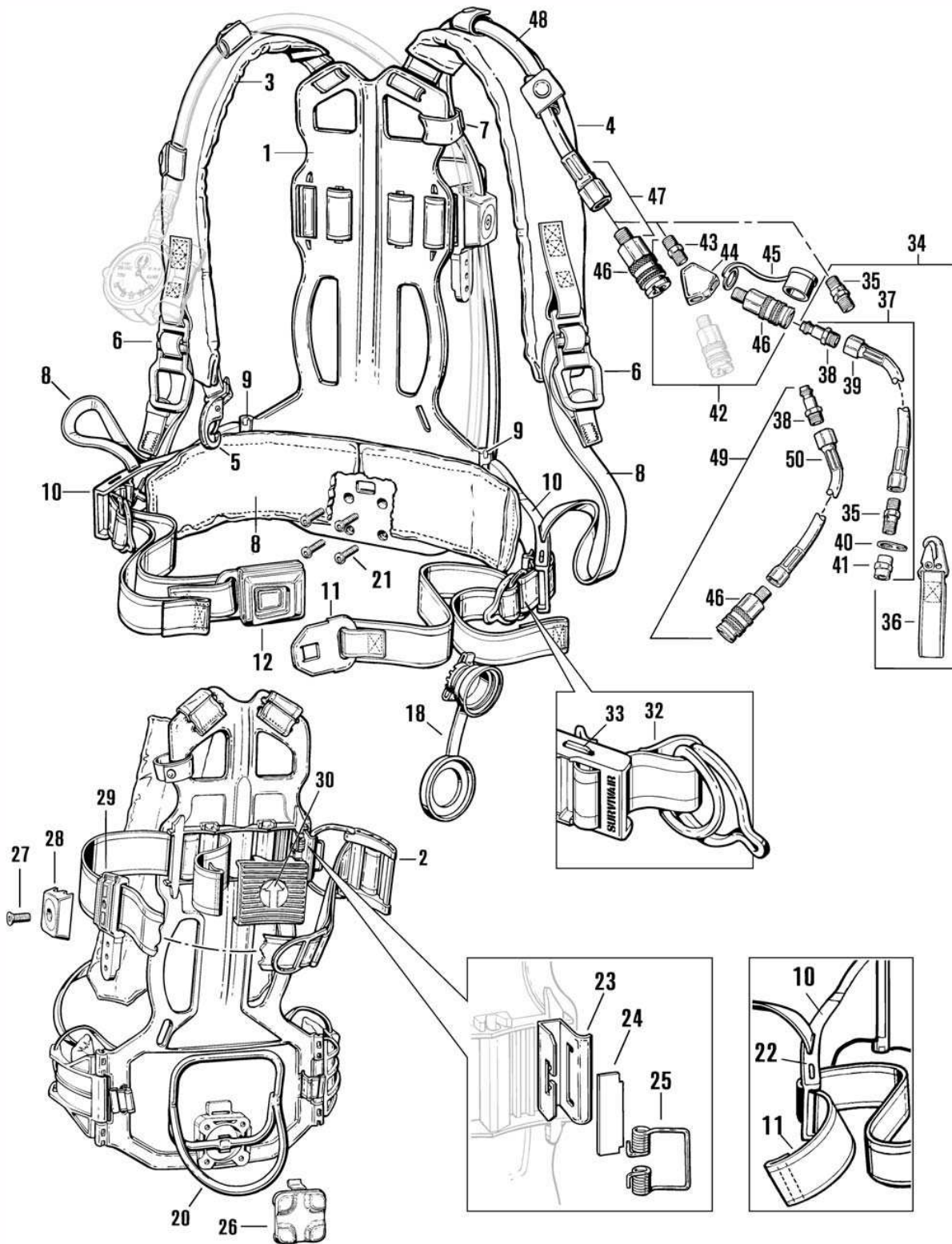
Part	Description	Price
965800	MightyLight Backpack, Panther (NFPA & CBRN)	500.00
965801	MightyLight Backpack, Cougar (Industrial)	328.00
1	964561 Molded Backpack Frame	40.50
2	964817 Tank Band, Panther (NFPA)	43.40
	964824 Tank Band, Cougar (Industrial)	27.20
3	969086 Shoulder Pad with logo and Mask Hanger, Right, Panther, HUD (NFPA)	73.00
	968959 Shoulder Pad and Mask Hanger, Right, Panther, HUD (NFPA, discontinued)	73.00
	968961 Shoulder Pad and Mask Hanger, Right, Cougar, HUD (Industrial)	50.00
4	969097 Shoulder Pad with logo, Left, Panther HUD (NFPA)	68.00
	968990 Shoulder Pad, Left, Panther HUD (NFPA, discontinued)	68.00
	968991 Shoulder Pad, Left, Cougar, HUD (Industrial)	45.00
5	968963 Mask Hanger, Panther (NFPA)	8.00
	968989 Mask Hanger, Cougar (Industrial)	5.50
6	960105 Buckle, Panther	10.00
	945123 Buckle, Cougar (Not Shown)	2.00
7	Z969076 Hip Pad/Adjustment Strap, Panther (NFPA)	71.70
	Z969075 Adjustment Strap, Cougar (Industrial) (2 req.)	5.90
8	964441 Pin (2 req.)	2.90
9	964440 Hip Wing (2 req.)	5.90
10	Z969078 Waist Belt, Left, Panther (NFPA)	24.30
	969082 Waist Belt, Left, Cougar (Industrial)	14.10
11	Z969077 Waist Belt, Right, Panther (NFPA)	26.30
	969081 Waist Belt, Right, Cougar (Industrial)	17.40
12	961299 Regulator Receiver, Cover	19.20
13	968906 Regulator Receiver, HUD	25.30
14	968907 Regulator Receiver Assembly, HUD (Incl. #'s 12 and 13)	44.50
15	966009 Cylinder Support	27.20
16	830023 Screw (4 req.)	1.50
17	966019 Cover Assembly	13.80
18	964445 Hip Wing Slide (2 req.), Cougar (Industrial)	3.90
19	964442 Tank Band Catch	4.10
20	964473 Wear Plate	2.40
21	964474 Tank Band Spring	5.90
22	964820 Friction Pad	3.30
23	964573 Slide Bar, Panther (NFPA)	1.80
24	969088 Parachute-style Waist Belt Buckle, Panther (NFPA)	18.00
	964560 Strap and D-rings, Panther (NFPA) (Discontinued)	9.10
25	H968982 Hose Retainer	4.00
HUD SENSING MODULE AND COMPONENTS		
26	968940 HUD Sensing Module, 2216 psig, w/Label and Battery (Labeled 968800)	236.00
	968941 HUD Sensing Module, 3000 psig w/Label and Battery (Labeled 968877)	236.00
	968942 HUD Sensing Module, 4500 psig w/Label and Battery (Labeled 968888)	236.00
27	969094 Battery Cap and O-ring	7.00
28	824007 O-ring	1.50
29	910078 Staple, Sensing Module (2 req.)	1.50
30	956504 Washer, Sensing Module (2 req.)	0.9
31	839505 Screw, Sensing Module (2 req.)	1.50
32	968815 High Pressure Hose, Panther/Cougar	35.00
	968814 High Pressure Hose, MARK 2 First Stage (Not Shown)	39.00
	968829 High Pressure Hose, Panther/Cougar, CBRN (Not Shown)	39.00
33	969095 High Pressure Plug	4.50
34	968978 Hose and Cable Assembly, for HUD units with COMPASS Module	158.00
	968979 Hose and Cable Assembly, for HUD units without COMPASS Module (Ref. #58)	96.00
	969168 Hose and Cable Assembly, for HUD units with COMPASS Module, CBRN	165.00
	969169 Hose and Cable Assembly, for HUD units without COMPASS Module (Ref. #58), CBRN	165.00
	969130 Cable Cover, for HUD units with COMPASS Module	45.00
	969135 Cable Cover, for HUD units without COMPASS Module (Ref. #58)	18.00
	968988 CBRN Sleeve, long (used on 969169, not shown)	23.00
	968987 CBRN Sleeve, short (used on 969168, not shown)	16.00
35	846014 Washer, HUD Cable (4 req.)	0.90
36	839508 Screw, HUD Cable (4 req.)	0.90
37	985054 Swivel Fitting	25.50
38	964424 Outlet Fitting	18.00
39	964423 Adapter	36.00

Part	Description	Price
40	964425 Screw, Self-sealing	1.60
41	Deleted	
42	Deleted	
43	Deleted	
44	839508 Screw, HUD Connection (2 req.)	0.90
45	95731210 O-ring (Pkg. of 10)	9.00
46	864150 Spiral Ring	1.90
47	826002 O-ring	1.50
48	968801 Second Stage Regulator and HUD Assembly	350.00
	964634 Gauge Hose Retainer, (Not Shown)	23.00
KITS¹		
	965110 SCBA Male/Female Over-the-Shoulder Auxiliary Coupler Kit	199.00
	965119 SCBA Male/Female Over-the-Shoulder Auxiliary Coupler Kit, SAR	229.00
	965115 Auxiliary Hose, Male/Female Coupling, SCBA (Not shown assembled, includes items: 49, 50, 51, 52, 53, 54, and 55.)	160.00
49	965109 Hose	22.00
51	961145 Adapter, 1/4 Pipe Thread	3.40
52	961721 "Y" Adapter	54.50
53	965114 Protective Cap, Double (Used on 965110 and 965119)	15.00
	964330 Protective Cap, Single (Used on COMPASS Mounted Auxiliary Coupler, Not Shown)	19.00
54	965112 Coupler, Double Shut-off	20.00
55	965113 Plug, Double Shut-off	15.00
56	957025 O-ring	0.90
57	961117 Outlet Fitting, Single, Standard	13.40
	910098 Outlet Fitting, Double, for use without SAR	118.40
	910097 Outlet Fitting, Double, for use with SAR	128.00
58	968979 I.P. Hose and Cable Assembly, HUD without COMPASS (Ref. #34)	113.00
	962640 I.P. Hose Assembly for use with COMPASS	125.00
59	910096 Spacer	6.90
OPTIONAL GAUGE CONFIGURATIONS¹		
60	968818 Gauge Line, Rubber (Discontinued)	30.00
	962049 Gauge Line, Braided	59.00
61	980642 Analog Gauge, 2216 psig, with Boot	78.80
	980643 Analog Gauge, 3000 psig, with Boot	78.80
	980641 Analog Gauge, 4500 psig, with Boot	78.80
	970400 Analog Gauge with Visual Alarm, 2216 psig, with Boot (Not Shown)	150.00
	970401 Analog Gauge with Visual Alarm, 3000 psig, with Boot (Not Shown)	150.00
	970402 Analog Gauge with Visual Alarm, 4500 psig, with Boot (Not Shown)	150.00
	962440 ADAM Kit, 2216 psig (Not Shown)	600.00
	962439 ADAM Kit, 3000 psig (Not Shown)	600.00
	962460 ADAM Kit, 4500 psig (Not Shown)	600.00
	961151 Air Spool without O-rings (Not Shown)	29.70
	961122 Air Spool with O-rings (Not Shown)	31.80
	82004610 O-ring (2 req.; Pkg. of 10; Not Shown)	15.00
62	968629 Strap, Hose Retainer, Short (Not Shown)	6.00
63	964559 Strap, Hose Retainer, Medium	4.00
64	968628 Strap, Hose Retainer, Long	4.50
65	830024 Screw	0.90
66	969133 Kit, Cable Cover, w/o COMPASS	24.00
	969131 Kit, Cable Cover, COMPASS	45.00
67	969128 Kit, Buddy Breather Pouch	70.00
68	969090 Kit, Parachute-style Waist Belt Buckle	32.00
69	964329 Swivel Kit (Includes items 37, 38, 39, 40, 45 [x4], and 46 [x2])	72.00
70	961800 Air Line Adapter Kit (SAR) ¹ (See pages 11 & 12 for parts breakdown.)	81.00
	965122 Kit, SAR Airline Adapter, OTS (Use with 965119 Kit, Not Shown)	55.00
	960006 Waist Belt Extension, 12 inches (Not Shown)	20.00
HUD BATTERIES		
	968917 Battery, CR123A (For HUD Sensing Module) (Not Shown)	4.50
	968977 Battery, Pkg. of 24 (Not Shown)	98.00
	968999 Battery, Pkg. of 48 (Not Shown)	193.00

Legend

¹ Not included in basic assembly. Available as an option.

**Panther®/Cougar™/SECOBA/Panther LO-PRO® SCBA
MightyLight® Backpack
(Discontinued)**



**Panther®/Cougar™/SECOBA/Panther LO-PRO® SCBA
MightyLight® Backpack
(Discontinued)**

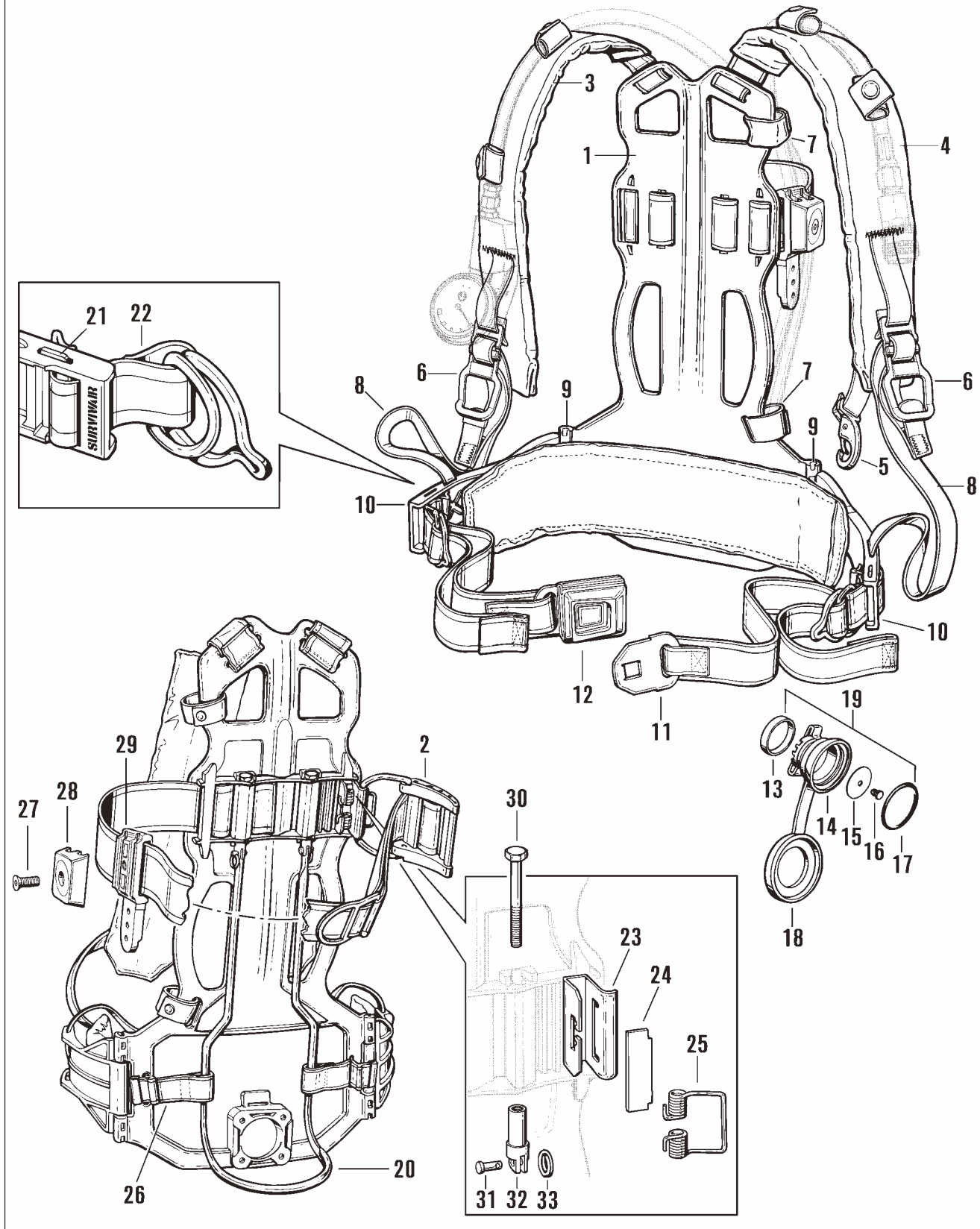
Part	Description	Price
964800	MightyLight Backpack, Panther (NFPA)	500.00
964801	MightyLight Backpack, Cougar (Industrial)	328.00
1	964561 Molded Backpack Frame	40.50
2	964817 Tank Band, Panther (NFPA)	43.40
	964824 Tank Band, Cougar (Industrial)	27.20
	4 Tank Band, Panther LO-PRO (NFPA)	
3	968656 Shoulder Pad, Right, Panther (NFPA), w/Mask Hanger	58.60
	968657 Shoulder Pad, Right, Panther (NFPA), w/o Mask Hanger	54.60
	964862 Shoulder Pad, Right, Cougar (Industrial), w/Mask Hanger	41.80
4	968655 Shoulder Pad, Left, Panther (NFPA)	54.60
	964861 Shoulder Pad, Left, Cougar (Industrial)	37.20
5	964415 Mask Hook	3.50
6	960105 Buckle, Panther	10.00
	945123 Buckle, Cougar (Not Shown)	2.00
7	964459 Hose Retainer, Panther (NFPA)	9.60
	964507 Hose Retainer, Cougar (Industrial)	8.20
8	Z964860 Hip Pad/Adjustment Strap, Panther (NFPA)	71.70
	964519 Adjustment Strap, Cougar (Industrial)	5.90
9	964441 Pin (2 req.)	2.90
10	964440 Hip Wing (2 req.)	5.90
11	964819 Waist Belt, Left, Panther (NFPA)	20.30
	964565 Waist Belt, Left, Cougar (Industrial) (Seat Belt Style Buckle)	14.10
	4 Waist Belt, Left, Cougar (Industrial) (Plastic Buckle; Discontinued)	
12	964818 Waist Belt, Right, Panther (NFPA)	22.30
	4 Waist Belt, Right, Cougar (Industrial) (Seat Belt Style Buckle)	
	Z964506 Waist Belt, Right, Cougar (Industrial) (Plastic Buckle; Discontinued)	11.20
13	961243 Overpressure Sleeve	3.80
14	961298 Regulator Receiver	25.30
15	961242 Valve	0.90
16	961241 Push-in Fastener	1.40
17	82013110 O-ring (Pkg. of 10)	15.00
18	961299 Receiver Cover, Gray	19.20
19	961289 Regulator Receiver Assy.	32.30
20	966009 Cylinder Support, Panther (NFPA) and Cougar (Industrial)	27.20
21	830023 Screw (4 req.), Panther (NFPA) and Cougar (Industrial)	1.50
22	964445 Hip Wing Slide (2 req.), Cougar (Industrial)	3.90
23	964442 Tank Band Catch, Panther (NFPA) and Cougar (Industrial)	4.10
24	964473 Wear Plate, Panther (NFPA) and Cougar (Industrial)	2.40

Part	Description	Price
25	964474 Tank Band Spring, Panther (NFPA) and Cougar (Industrial)	5.90
26	966019 Cover Assembly, Panther (NFPA) and Cougar (Industrial)	13.80
27	964812 Hose Retainer Screw ¹	6.00
28	964808 Hose Retainer Clamp ¹	2.80
29	964814 Hose Retainer Block	3.80
30	964820 Friction Pad, Panther (NFPA) and Cougar (Industrial)	3.30
31	Deleted	
32	964560 Strap and D-rings, Panther (NFPA)	9.10
33	964573 Slide Bar (2 req.), Panther (NFPA)	1.80
KITS		
34	961800 Air Line Adapter Kit ² (SAR) (Incl. #'s 35, 36, 37)	81.00
35	960123 Check Valve ²	26.30
36	961803 Belt Loop Assembly ²	8.40
37	Z961802 SAR Hose Assembly ² (Incl. #'s 35, 38, 39, 40, 41)	53.30
38	968123 Nipple ²	12.00
39	961801 Hose ²	17.30
40	985224 Tab ²	2.25
41	930553 Adapter ²	2.40
42	961148 Buddy Breather Kit ² (Incl. #'s 43, 44, 45, 46)	125.00
43	961145 Fitting ²	3.40
44	961721 Buddy Breathing Outlet ²	54.50
45	960694 Buddy Breather Cap ²	7.10
46	961143 Coupling ²	60.00
47	961140 Hose Assembly (Incl. #'s 46, 48) ²	95.70
48	Z961146 Intermediate Pressure Hose ²	25.40
49	960097 Buddy Breather Extension, 3 Foot ² (Incl. #'s 38, 46, 50)	54.50
50	Z960096 Buddy Breather Extension Hose, 3 Foot ²	22.00
KITS (Not Shown)		
	961470 Buddy Breather Kit, Cougar	185.00
	970110 Over-the-Shoulder Auxiliary Hose/Coupling Kit	140.00
	4 Over-the-Shoulder Auxiliary Hose/Coupling Kit, SAR	
	4 MightyLight Backpack Upgrade Kit, Panther	
	4 MightyLight Backpack Upgrade Kit, Cougar	
	4 Buckle Kit ³	
	968670 Chest Strap Kit	30.00

Legend

- ¹ Not included in basic assembly. For configuration including these parts, refer to kits: 964410, MightyLight Backpack Upgrade Kit, Panther, and 964412, MightyLight Upgrade Kit, Cougar
- ² Not included in basic assembly.
- ³ Kit includes 960105 Buckles (2) and Installation Instructions.
- ⁴ No longer available.

Panther®/Cougar™ MightyLight® Backpack, Australian



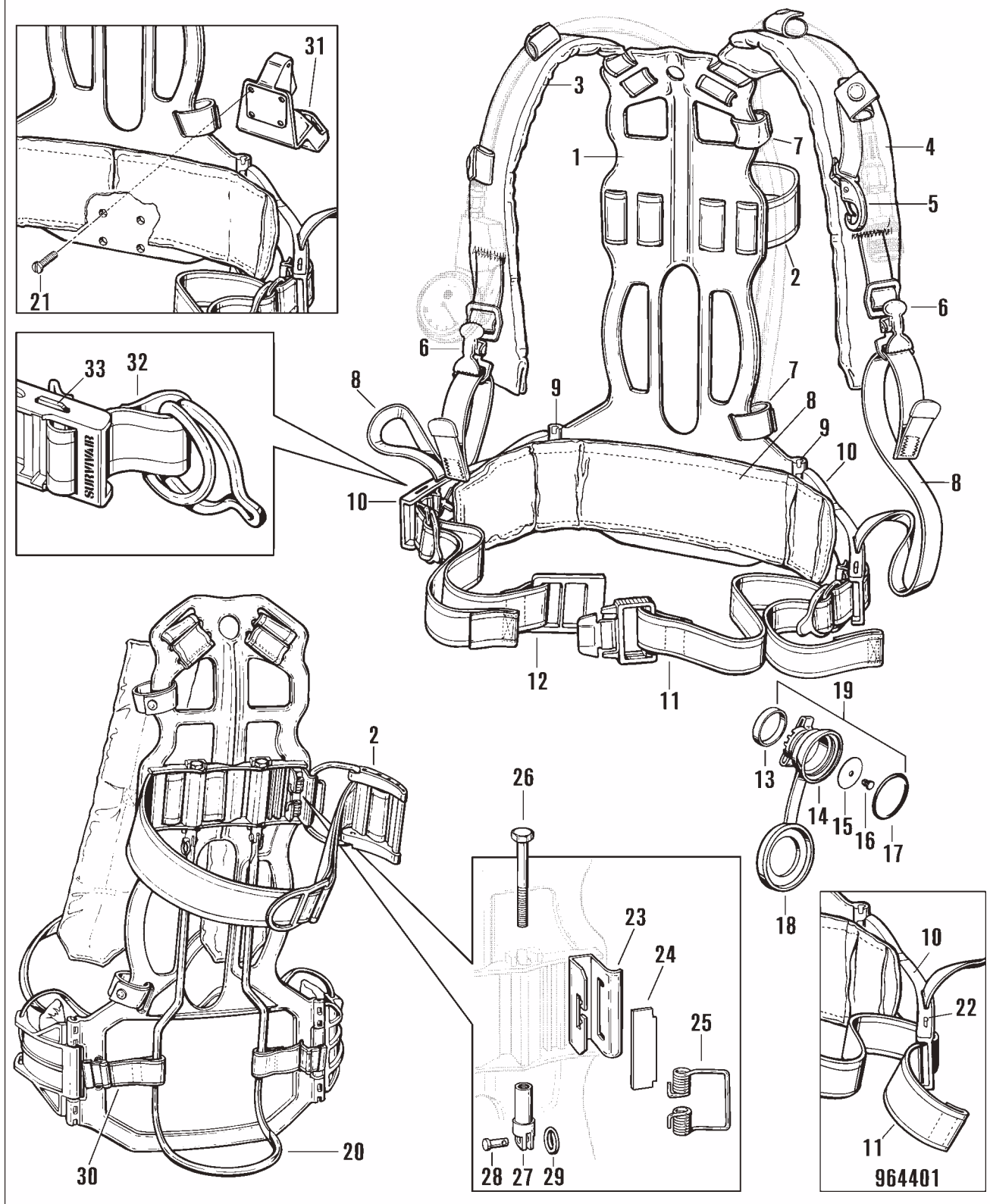
Panther®/Cougar™ MightyLight® Backpack, Australian

Part	Description	Price	Part	Description	Price
964843	MightyLight Backpack, Panther, Australian	510.00	13	961243 Overpressure Sleeve	3.80
964844	MightyLight Backpack, Cougar, Australian	343.00	14	961298 Regulator Receiver	25.30
1	964561 Molded Backpack Frame	40.50	15	961242 Valve	0.90
2	Z964447 Tank Band, Panther	39.40	16	961241 Push-in Fastener	1.40
	964503 Tank Band, Cougar	27.70	17	82013110 O-ring (Pkg. of 10)	15.00
3	968656 Shoulder Pad, Right, Panther, with Mask Hanger	58.60	18	961299 Receiver Cover	19.20
	968657 Shoulder Pad, Right, Panther, w/o Mask Hanger	54.60	19	961289 Regulator Receiver Assembly	32.30
	964862 Shoulder Pad, Right, Cougar, w/Mask Hanger	41.80	20	964446 Tank Bracket	27.70
4	968655 Shoulder Pad, Left, Panther	54.60	21	964573 Slide Bar, Panther (2 req.)	1.80
	964861 Shoulder Pad, Left, Cougar	37.20		964445 Slide, Hip Wing, Cougar (2 req.)	3.90
5	964454 Mask Hook	3.50	22	964560 Ring Strap, Panther (2 req.)	9.10
6	960105 Buckle, Panther (2 req.)	10.00	23	964442 Tank Band Catch	4.10
	945123 Buckle, Cougar (2 req.)	2.00	24	964473 Wear Plate	2.40
7	964459 Hose Retainer, Panther (2 req.)	9.60	25	964474 Tank Band Spring	5.90
	964507 Hose Retainer, Cougar (2 req.)	8.20	26	964489 Tank Bracket Strap, Panther (2 req.)	7.20
8	Z964860 Hip Pad and Adjustment Straps, Panther (Shown)	71.70		964516 Tank Bracket Strap, Cougar (2 req.)	6.10
	964519 Adjustment Strap, Cougar (2 req., Not Shown)	5.90	27	964812 Hose Retainer Screw	6.00
9	964441 Pin (2 req.)	2.90	28	964808 Hose Retainer Clamp	2.80
10	964440 Hip Wing (2 req.)	5.90	29	964814 Hose Retainer Block	3.80
11	964819 Waist Belt, Left, Panther	20.30	30	964476 Screw (2 req.)	0.9
	964565 Waist Belt, Left, Cougar	14.10	31	964478 Clevis Pin (2 req.)	2.20
12	964818 Waist Belt, Right, Panther	22.30	32	964477 Yoke (2 req.)	9.90
	964566 Waist Belt, Right, Cougar	17.40	33	964479 Split Ring (2 req.)	1.90
KITS					
			964853	Buckle Kit ¹	19.20
			968670	Chest Strap Kit	30.00

Legend

¹ Kit includes 960105 Buckles (2) and Installation Instructions.

**SIGMA/OMEGA/SECOBA/LO-PRO® SCBA
MightyLight® Backpack
(Discontinued)**



SIGMA/OMEGA/SECOBA/LO-PRO® SCBA MightyLight® Backpack (Discontinued)

Part	Description	Price
964400	MightyLight Backpack, SIGMA (Discontinued)	500.00
964401	MightyLight Backpack, OMEGA/SECOBA (Industrial) (Discontinued)	419.00
964402	MightyLight Backpack, LO-PRO (Discontinued)	522.00
1	964562 Frame, Molded (SIGMA, OMEGA, SECOBA)	40.50
	964561 Frame, Molded (LO-PRO)	40.50
2	Z964447 Tank Band (SIGMA)	39.40
	964503 Tank Band (OMEGA, SECOBA)	27.70
	964490 Tank Band (LO-PRO)	48.70
3	964439 Shoulder Pad, Right (SIGMA, LO-PRO)	46.50
	964502 Shoulder Pad, Right (OMEGA, SECOBA)	37.20
4	964438 Shoulder Pad, Left (SIGMA, LO-PRO)	53.20
	964501 Shoulder Pad, Left (OMEGA, SECOBA)	41.80
5	964454 Mask Hook	3.50
6	945123 Buckle	2.00
7	964459 Hose Retainer (SIGMA, LO-PRO) (2 req.)	9.60
	964507 Hose Retainer (OMEGA, SECOBA) (2 req.)	8.20
8	964451 Hip Pad/Adjustment Strap (SIGMA, LO-PRO)	75.30
	964519 Adjustment Strap (OMEGA, SECOBA)	5.90
9	964441 Pin (2 req.)	2.90
10	964440 Hip Wing (2 req.)	5.90
11	964452 Waist Belt, Left (SIGMA, LO-PRO)	17.40
	964505 Waist Belt, Left (OMEGA, SECOBA)	11.20
12	964453 Waist Belt, Right (SIGMA, LO-PRO)	17.40
	964506 Waist Belt, Right (OMEGA, SECOBA)	11.20
13	961243 Overpressure Sleeve	3.80
14	961298 Regulator Receiver	25.30
15	961242 Valve	0.90
16	961241 Push-in Fastener	1.40
17	82013110 O-ring (Pkg. of 10)	15.00

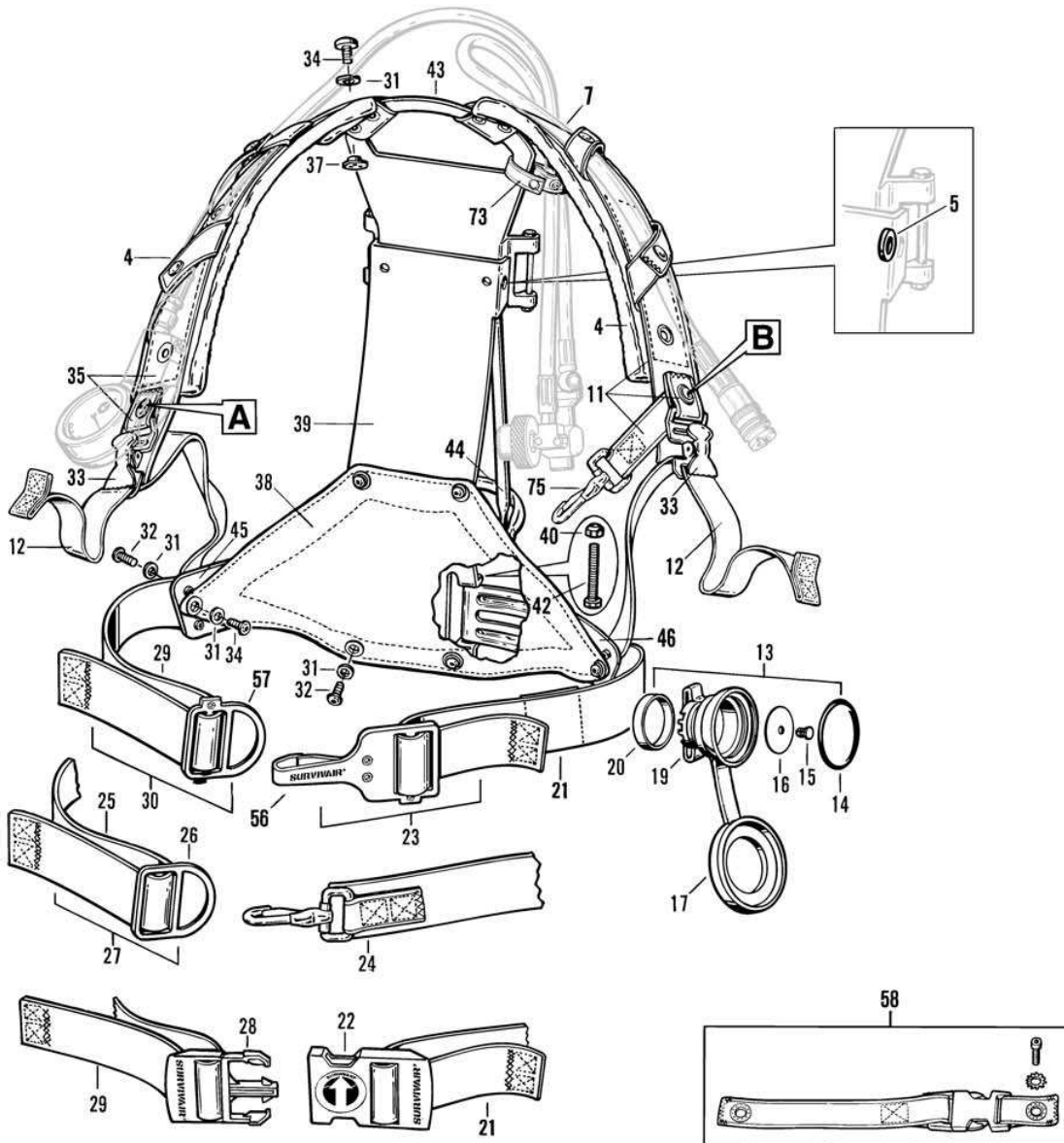
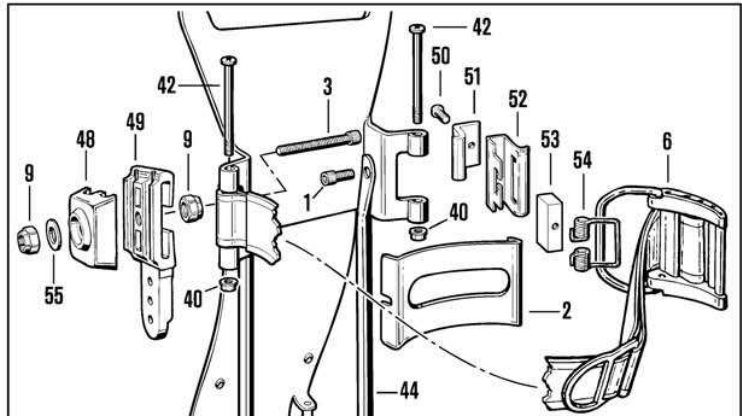
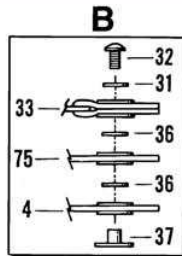
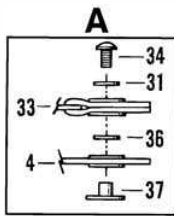
Part	Description	Price
18	961299 Receiver Cover, Gray	19.20
19	961289 Regulator Receiver Assy.	32.30
20	964446 Tank Bracket (SIGMA, OMEGA, SECOBA)	27.70
21	830025 Screw (LO-PRO) (4 req.)	1.40
22	964445 Slide Bar, Hip Wing (OMEGA, SECOBA) (2 req.)	3.90
23	964442 Catch, Tank Band (SIGMA, OMEGA, SECOBA)	4.10
24	964473 Wear Plate (SIGMA, OMEGA, SECOBA)	2.40
25	964474 Tank Band Spring (SIGMA, OMEGA, SECOBA)	5.90
26	964476 Screw, 1/4-28 x 2" (SIGMA, OMEGA, SECOBA) (2 req.)	0.90
27	964477 Yoke (SIGMA, OMEGA, SECOBA) (2 req.)	9.90
28	964478 Clevis Pin (SIGMA, OMEGA, SECOBA) (2 req.)	2.20
29	964479 Split Ring (SIGMA, OMEGA, SECOBA) (2 req.)	1.90
30	964489 Tank Bracket Strap (SIGMA) (2 req.)	7.20
	964516 Tank Bracket Strap (OMEGA, SECOBA) (2 req.)	6.10
31	961914 Tank Bracket (LO-PRO)	166.00
32	964560 D-ring/Strap Assy. (SIGMA, LO-PRO) (2 req.)	9.10
33	964573 Slide Bar, D-ring (SIGMA, LO-PRO) (2 req.)	1.80
KITS		
	961800 Air Line Adapter Kit ¹	81.00
	961148 Buddy Breather Kit ¹ , SIGMA, LO-PRO	125.00
	961470 Buddy Breather Kit, OMEGA/SECOBA	185.00
	964590 D-ring Buckle Kit (Incl. 2 ea. #'s 32 & 33)	22.00

Legend

¹ See the Panther SCBA MightyLight Backpack on pages 9 and 10 for kit parts lists.



Panther®/SIGMA SCBA Classic™ Backpack (Discontinued)



Panther®/SIGMA SCBA Classic™ Backpack (Discontinued)

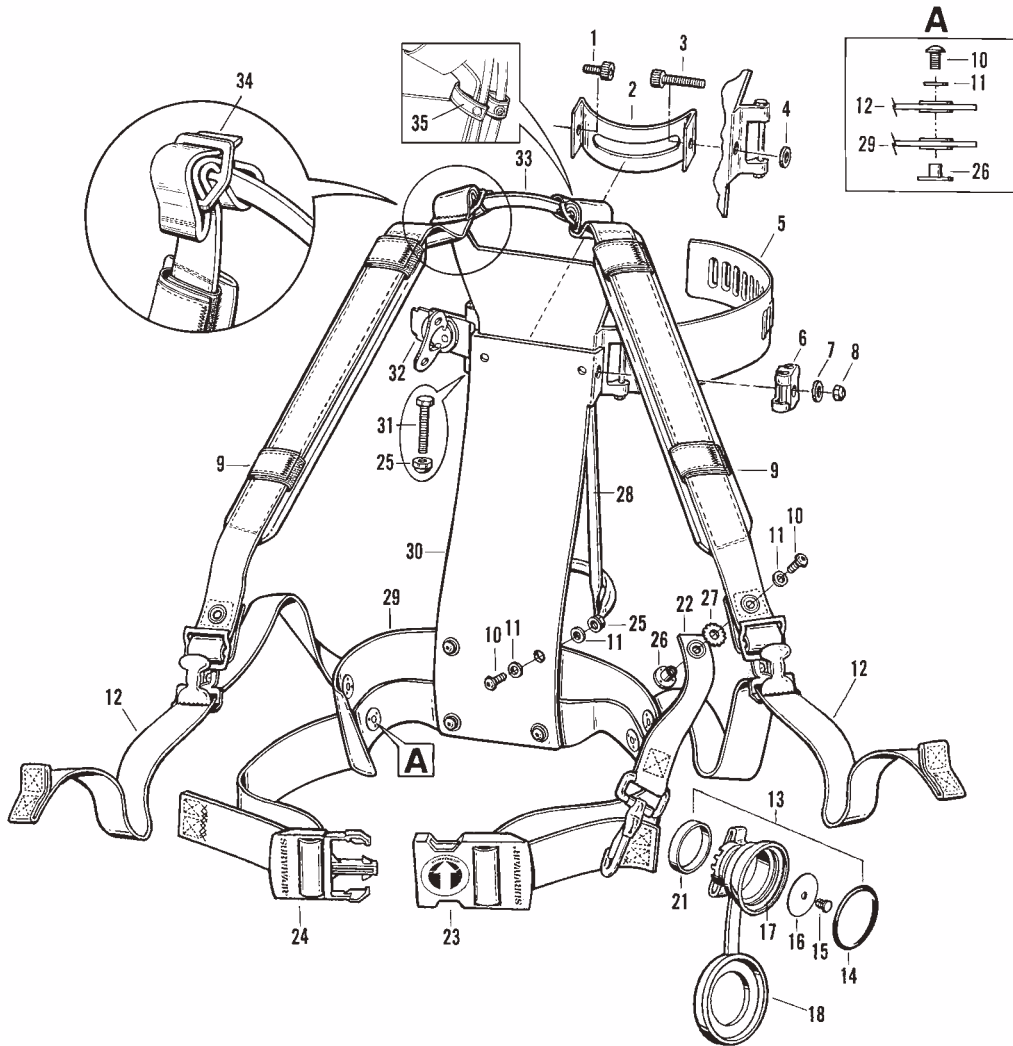
Part	Description	Price	Part	Description	Price
961250	Panther/SIGMA Classic Backpack	500.00	39	961201 Back Plate	42.40
1	832503 Screw	1.00	40	941683 Lock Nut (2 req.) ¹	2.20
2	941650 Tank Band Guide	10.40	41	941653 Latch Assembly, Ratchet (Discontinued; Not Shown)	81.00
3	831513 Screw (Use with Hose Retainer Block)	4.30	42	941695 Screw (2 req.) ¹	9.60
	832504 Screw (Use with T-12 Hose Bracket)	1.90	43	961202 Support Plate	28.50
4	961257 Shoulder Strap	60.00	44	946023 Tank Bracket	23.50
5	845058 Washer, Nylon (2 req.)	0.90	45	961208 Wing, R.H.	14.70
6	980122 Tank Band, Nomex/Kevlar	59.80	46	961209 Wing, L.H.	14.70
	941654 Tank Band, Stainless Steel (Discontinued)	14.30	47	961140 Hose Assy. (Incl. #7 & #10) ¹	95.70
7	961146 Intermediate Pressure Hose ¹	25.40	48	964810 Hose Retainer Clamp, Classic	6.00
8	961247 T-12 Hose Bracket ¹ (Discontinued; Not Shown)	6.70	49	964805 Hose Retainer Block, Classic	4.30
9	852030 Lock Nut (1 req. for T-12 ¹ , 2 req. for Hose Retainer Block)	0.90	50	831510 Screw	1.50
10	961143 Coupling ¹	60.00	51	980119 Mounting Bracket	7.10
11	961258 Shoulder Strap Assy., L.H.	117.00	52	964442 Tank Band Catch	4.10
12	961207 Harness Adjustment Strap (2 req.)	46.30	53	980121 Spacer	6.60
13	961289 Regulator Receiver Assy.	32.30	54	964474 Tank Band Spring	5.90
14	82013110 O-ring (Pkg. of 10)	15.00	55	845099 Washer (1 req. for Discontinued T-12 Installation; Not Shown)	0.90
15	961241 Push-in Fastener	1.40	56	942249 Snap Hook w/Swivel (Dual Adjustment)	47.50
16	961242 Valve	0.90	57	942283 D-ring w/Swivel (Dual Adjustment)	27.70
17	961299 Receiver Cover, Gray	19.20		KITS	
	961244 Receiver Cover, Blue (Discontinued)		58	961275 Chest Strap Kit ^{1,2}	28.00
18	961248 Receiver Cover Sleeve (Req. on 961244; Not Shown)	6.00	59	961148 Buddy Breather Kit (Incl. #'s 10, 60, 61, 62) ^{1,2}	125.00
19	961298 Regulator Receiver	25.30	60	961145 Fitting ^{1,2}	3.40
	961233 Regulator Receiver (Discontinued)		61	961721 Buddy Breathing Outlet ^{1,2}	54.50
20	961243 Overpressure Sleeve	3.80	62	960694 Cap, Buddy Breather ²	7.10
21	961267 Waist Strap, L.H.	37.80		961163 Lanyard and Cap Assembly ^{1,2} (Discontinued)	
22	961295 Side Release Buckle Receptacle (Discontinued)	11.10	63	961800 Air Line Adapter Kit (SAR) (Incl. #'s 64, 65, 66) ²	81.00
23	961361 Waist Strap Assy., L.H.; Snap Hook w/Swivel (Dual Adjustment)	57.10	64	960123 Check Valve ^{1,2}	26.30
24	961205 Waist Strap, Snap, L.H. (Discontinued)	30.00	65	961803 Belt Loop Assy. ^{1,2}	8.40
25	961266 Waist Strap, for D-ring (Discontinued)	30.00	66	961802 SAR Hose Assy. (Incl. #'s 64, 67, 68, 69, 70) ^{1,2}	53.30
26	941699 D-ring w/o Swivel (Discontinued)	8.70	67	968123 Nipple ^{1,2}	12.00
27	961206 Waist Strap, w/D-ring (Discontinued)	36.60	68	961801 Hose ^{1,2}	17.30
28	961294 Side Release Buckle Snap (Discontinued)	11.10	69	985224 Tab ^{1,2}	2.25
29	961268 Waist Strap, R.H.	32.70	70	930553 Adapter ^{1,2}	2.40
30	961362 Waist Strap, R.H., D-ring w/Swivel (Dual Adjustment)	39.30	71	960097 Buddy Breather Extension, 3 Foot (Incl. #'s 10, 67, 72) ^{1,2}	54.50
31	845057 Washer	0.90	72	960096 Buddy Breather Extension Hose, 3 Foot ^{1,2}	22.00
32	831506 Screw	2.30	73	961764 I.P. Hose Retainer Kit ¹	7.00
33	942220 Buckle Assembly.	17.30	74	945151 Mask Hanger Kit (Incl. #'s 31, 32, 36 [2 req.], 37, 75) (Not Shown) ¹	17.00
34	831505 Screw	0.90	75	945111 Mask Hanger Strap	7.90
35	961259 Shoulder Strap Assembly., R.H.	117.00	76	980201 Tank Band Kit (Incl. #'s 6, 40 [2 req.], 42 [2 req.], 50, 51, 52, 53, 54) ¹	103.00
36	847010 Star Washer	0.90			
37	941952 Weld Nut	1.50			
38	961210 Lumbar Pad	32.70			

Legend

¹ Not included in basic assembly.

² Parts shown on MightyLight Backpack drawing, pages 9 and 10.

OMEGA/SECOBA SCBA Classic™ Backpack (9614) (Discontinued)



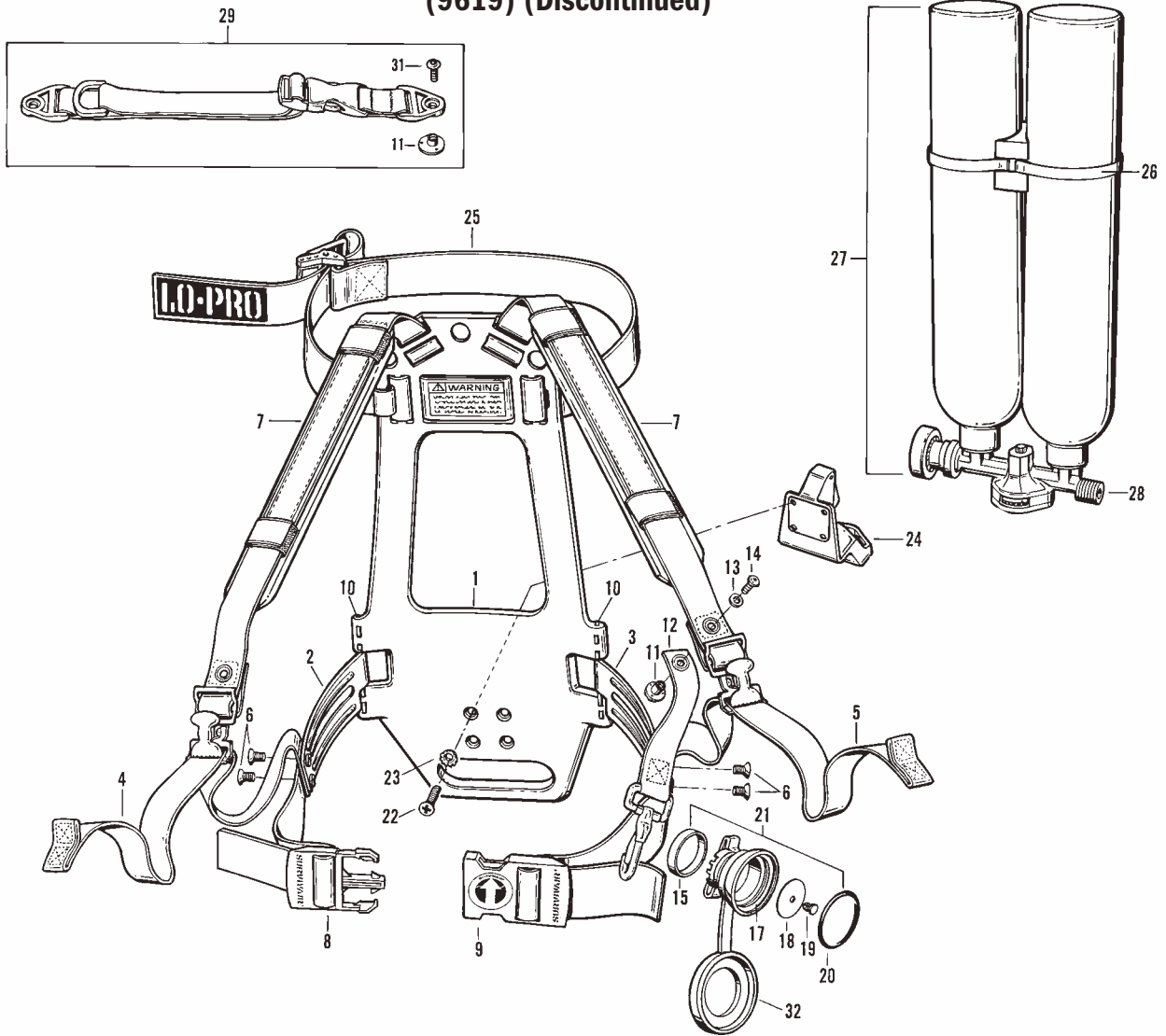
Part	Description	Price	Part	Description	Price
961450	OMEGA Backpack¹	423.00	19	961248 Receiver Cover Sleeve (Req. on 961244; Not Shown)	6.00
961451	SECOBA Backpack^{1, 2}	423.00	20	961939 Spacer (Discontinued; Not Shown)	3.70
1	832506 Screw	1.50	21	961243 Overpressure Sleeve	3.80
2	941650 Tank Band Guide	10.40	22	961468 Mask Hanger	7.90
3	832504 Screw	1.90	23	961295 Side Release Buckle Receptacle (Discontinued)	11.10
4	845058 Washer, Nylon	0.90	24	961294 Side Release Buckle Snap (Discontinued)	11.10
5	941654 Tank Band, OMEGA	14.30	25	941683 Lock Nut	2.20
	961472 Tank Band, SECOBA ²	28.50	26	941952 Weld Nut	1.50
6	961247 T-12 Hose Bracket	6.70	27	847010 Star Washer	0.90
7	845099 Washer	0.90	28	946023 Tank Bracket	23.50
8	852030 Lock Nut	0.90	29	961456 Waist Strap Assy., OMEGA	51.70
9	961464 Shoulder Strap Assy. with Pad	60.00		961476 Waist Strap Assy., SECOBA ²	84.80
10	839511 Screw	1.50	30	945050 Back Plate	28.80
11	845057 Washer	0.90	31	941695 Screw, Tank Band	9.60
12	961458 Harness Adjustment Strap	8.10	32	941653 Latch Assy.	27.80
13	961289 Regulator Receiver Assy.	32.30	33	961202 Support Plate	28.50
14	82013110 O-ring (Pkg. of 10)	15.00	34	961466 Belt Lock	6.10
15	961241 Push-in Fastener	1.40	35	961764 I.P. Hose Retainer Kit	7.00
16	961242 Valve	0.90	36	975221 Buckle, SECOBA (Discontinued) ²	27.20
17	961298 Regulator Receiver, Continuous Loop	25.30	37	961470 Buddy Breather Kit, OMEGA/SECOBA (Not Shown)	215.00
	961233 Regulator Receiver (Discontinued)				
18	961299 Receiver Cover, Gray	19.20			

Legend

¹ Discontinued, but available while supplies last.

² SECOBA available in Australia and New Zealand only.

LO-PRO® SCBA Classic™ Backpack (9619) (Discontinued)



Part	Description	Price
961911	LO-PRO Backpack Assembly¹	
1	Backpack Frame	
2	Hip Wing, Right Side	
3	Hip Wing, Left Side	
4	Waist Strap/Adjustment Strap Assy., Right Side	
5	Waist Strap/Adjustment Strap Assy., Left Side	
6	Screw	
7	Padded Shoulder Strap Assy.	
8	Side Release Buckle Snap	
9	961295 Side Release Buckle Receptacle	11.10
10	Pin	
11	941952 Weld Nut	1.50
12	Mask Hanger Strap	
13	845057 Flat Washer	0.90
14	831505 Screw	0.90
15	961243 Overpressure Sleeve	3.80
16	Spacer	
17	961298 Regulator Receiver, Continuous Loop	25.30
18	Regulator Receiver	
18	961242 Valve	0.90

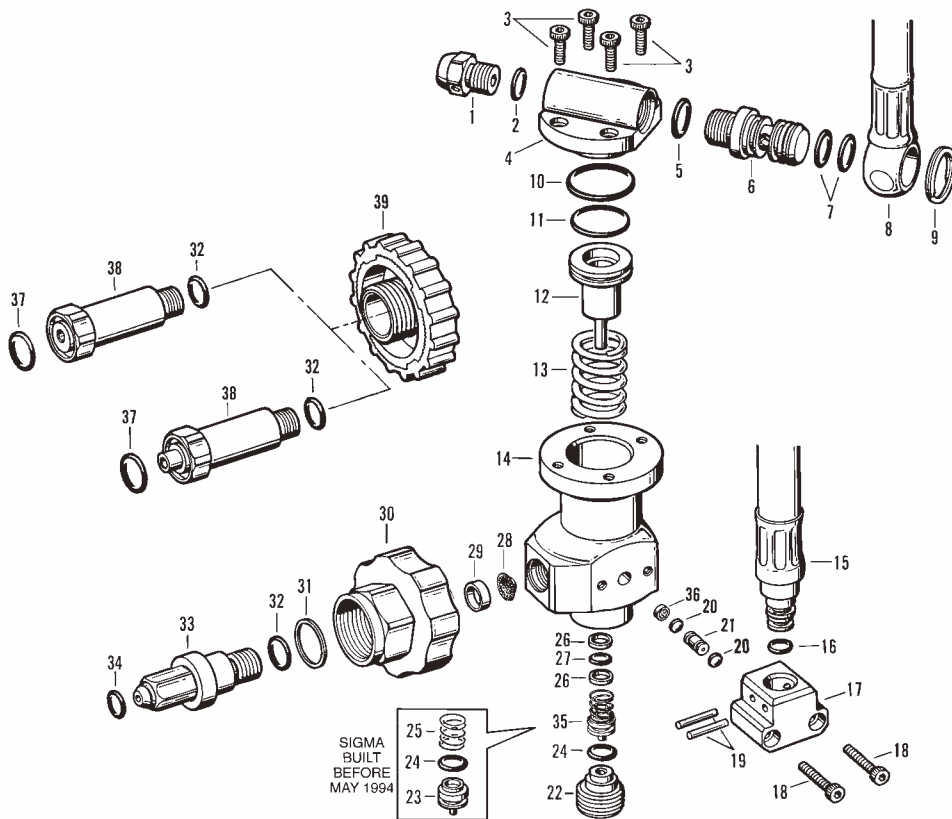
Part	Description	Price
19	961241 Push-in Fastener	1.40
20	82013110 O-ring (Pkg. of 10)	15.00
21	961289 Regulator Receiver Assy.	32.30
22	Screw	
23	847013 Star Lock Washer	2.50
24	Mounting Bracket	
25	Tank Band Assy.	
26	Cylinder Block Assy.	
27	Cylinder/Valve Assy.	
28	Manifold Assy. (without 957032 o-rings)	
29	Chest Strap Kit	
30	Receiver Cover Sleeve (Req. on 961244)	
31	831506 Screw	2.30
32	961299 Receiver Cover, Gray	19.20
	Receiver Cover, Blue	

Legend

¹ No longer available.

NOTE: See SIGMA Pneumatic Component Parts List for required hardware information.

SIGMA/OMEGA/SECOBA/LO-PRO First Stage Regulator, Machined Body (Discontinued)



Part	Description	Price
961100	SIGMA-style First Stage, H.P. (No Longer Available)	
961150	SIGMA-style First Stage, L.P. (No Longer Available)	
961430	SECOBA First Stage, H.P., 300 bar (No Longer Available)¹	
961440	SECOBA First Stage, L.P., 200 bar (No Longer Available)¹	
1	910920 Relief Valve Assy. ²	65.60
2	820011 O-ring	0.90
3	839107 Cap Screw (4 req.)	1.50
4	961103 Cap, Body	61.10
5	957025 O-ring	0.90
6	961117 Outlet Fitting	13.40
7	95731210 O-ring (2 req.) (Pkg. of 10)	9.00
8	961140 Intermediate Pressure Line Assy.	95.70
	961493 Intermediate Pressure Line, OMEGA/SECOBA ¹	58.40
	961494 Intermediate Pressure Line, Buddy Breather	244.00
9	864150 Retaining Ring	1.90
10	957319 O-ring	1.50
11	824019 O-ring	1.90
12	961154 Piston	34.00
13	961312 Spring	12.10
14	961101 Body	116.00
15	961118 Alarm Hose, 37" (Discontinued)	53.30
	980063 Alarm Hose, 40"	58.80
16	824007 O-ring	1.50
17	961115 Pressure Fitting	11.20
18	839108 Cap Screw (2 req.)	1.50
19	959717 Pin (2 req.)	0.90
20	82004610 O-ring (2 req.) (Pkg. of 10)	15.00

Part	Description	Price
21	961124 Pressure Restrictor	29.60
22	961107 Body Plug	8.10
23	³ Seat	
24	957310 O-ring	0.90
25	³ Spring	
26	828508 Backup Ring (2 req.)	0.90
27	824021 O-ring	1.90
28	910032 Filter/Screen	0.90
29	910022 Filter Retainer	1.90
30	961314 Handwheel, Low Pressure, Red	16.50
	961110 Handwheel, Low Pressure, Red (Discontinued 3/98)	11.30
	961277 Handwheel, High Pressure, Green	16.50
	961111 Handwheel, High Pressure, Green (Discontinued 3/98)	11.30
31	930132 Bearing	1.50
32	95702410 O-ring (Pkg. of 10)	9.00
33	961112 Nipple, Low Pressure, 2216 psig	24.20
	961113 Nipple, High Pressure, 4500 psig	24.20
34	95721010 O-ring (Pkg. of 10)	9.00
35	961182 Valve Seat Assy.	19.80
36	961167 Filter Assy.	4.70
37	820047 SECOPA O-ring ¹	0.90
38	961432 SECOPA Nipple, Low Pressure, DIN, 200 bar ¹	37.40
	961433 SECOPA Nipple, High Pressure, DIN, 300 bar ¹	90.00
39	961434 SECOPA Handwheel, DIN ¹	33.30

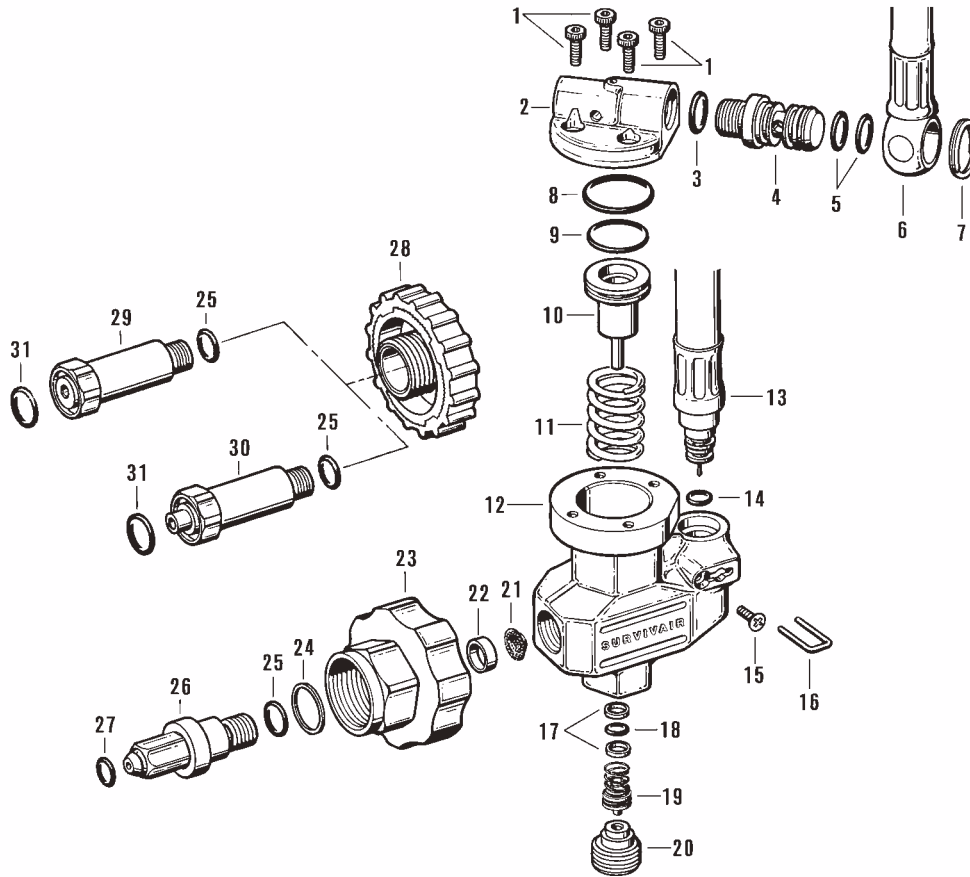
Legend

¹ SECOPA available in Australia and New Zealand only.

² Overpressure relief valve is factory set. DO NOT adjust the overpressure relief valve. Failure to follow this warning may cause serious personal injury, including death.

³ No longer available.

**Panther®/Cougar™/Commando with ADAM®/SIGMA/OMEGA/SECOBA/LO-PRO®
First Stage Regulator, Forged Body
(Discontinued)**



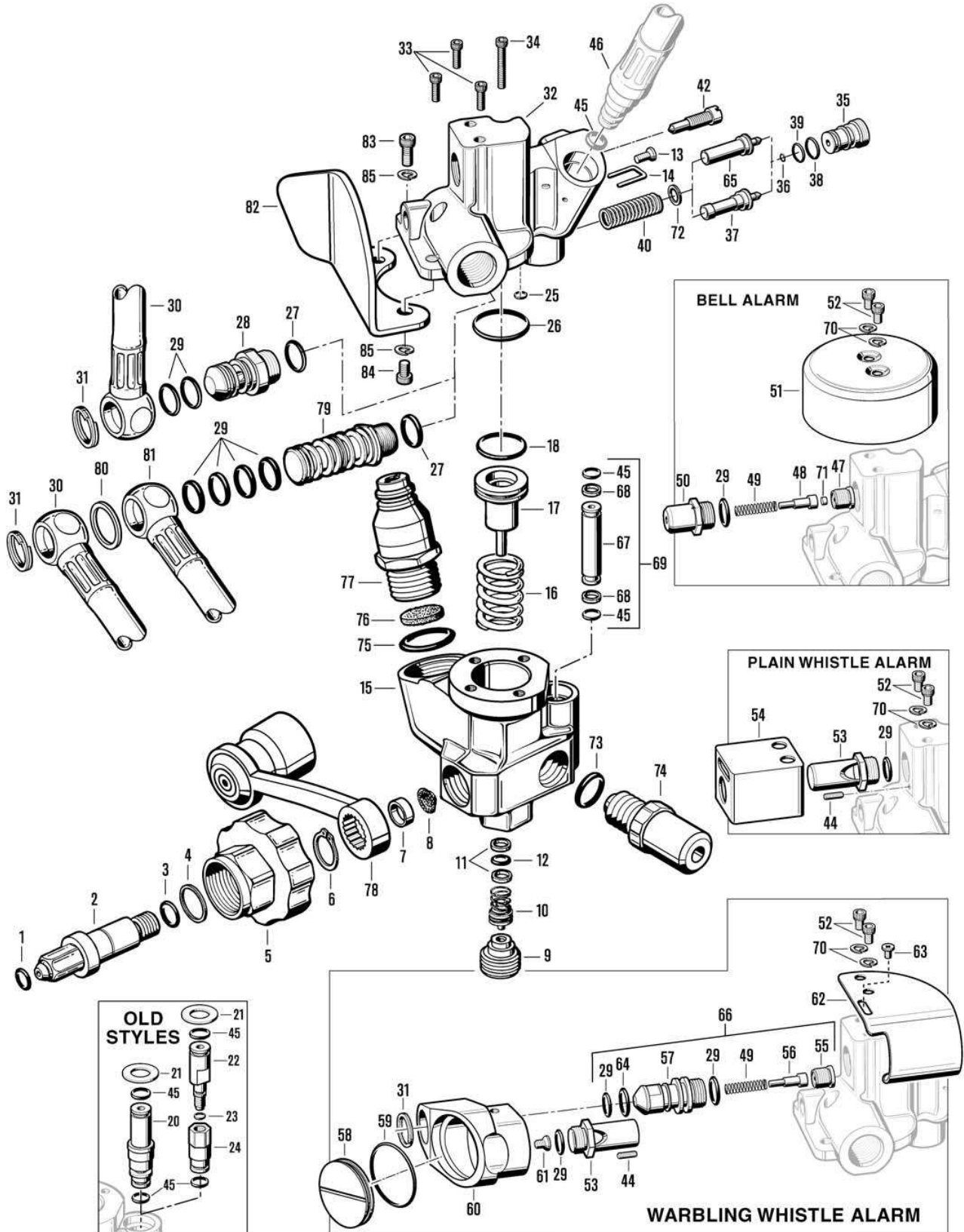
Part	Description	Price
961193	SIGMA-style First Stage Regulator, H.P., Forged Body	513.00
961181	SIGMA-style First Stage Regulator, L.P., Forged Body	513.00
961186	SECOBA First Stage Regulator, H.P., 300 bar¹	513.00
961185	SECOBA First Stage Regulator, L.P., 200 bar¹	513.00
1	839107 Cap Screw (4 req.)	1.50
2	Z961178 Regulator Cap Assembly (Includes overpressure relief valve) ²	77.00
3	957025 O-ring	0.90
4	961117 Outlet Fitting	13.40
5	95731210 O-ring (2 req.) (Pkg. of 10)	9.00
6	961140 Intermediate Pressure Line Assembly	95.70
	961493 Intermediate Pressure Line Assembly, OMEGA/SECOBA	58.40
	961494 Intermediate Pressure Line Assembly, Buddy Breather	244.00
7	864150 Retaining Ring	1.90
8	820018 O-ring	1.90
9	824019 O-ring	1.90
10	961154 Piston	34.00
11	961312 Spring	12.10
12	961138 Regulator Body, Forged	116.00
13	980618 Alarm Hose, 37" (Discontinued)	65.00
	980063 Alarm Hose, 40"	58.80
14	824007 O-ring	1.50
15	830024 Flat Head Screw	0.90
16	910078 Alarm Hose Staple	1.50

Part	Description	Price
17	828508 Backup Ring (2 req.)	0.90
18	824021 O-ring	1.90
19	961182 Valve Seat Assembly	19.80
	957310 O-ring	0.90
20	961107 Body Plug	8.10
21	910032 Filter/Screen	0.90
	961183 Filter (Discontinued 9/97)	1.50
22	910022 Filter Retainer	1.90
	910070 Filter Retainer (Discontinued 9/97)	1.90
23	961314 Handwheel, Low Pressure, Red	16.50
	961110 Handwheel, Low Pressure, Red (Discontinued 3/98)	11.30
	961277 Handwheel, High Pressure, Green	16.50
	961111 Handwheel, High Pressure, Green (Discontinued 3/98)	11.30
24	930132 Bearing	1.50
25	95702410 O-ring (Pkg. of 10)	9.00
26	961112 Nipple, Low Pressure, 2216 psig	24.20
	961113 Nipple, High Pressure, 4500 psig	24.20
27	95721010 O-ring (Pkg. of 10)	9.00
28	961434 SECOBA Handwheel, DIN ¹	33.30
29	961432 SECOBA Nipple, Low Pressure, DIN, 200 bar ¹	37.40
30	961433 SECOBA Nipple, High Pressure, DIN, 300 bar ¹	90.00
31	820047 O-ring ¹	0.90

Legend

- ¹ SECOBA available in Australia and New Zealand only.
- ² Overpressure relief valve is factory set. DO NOT adjust.

**Panther®/Cougar™ First Stage Regulator, Forged Body, with Bell Alarm/
Plain Whistle Alarm/Warbling Whistle Alarm; HUD, RIC UAC Connection**



Panther®/Cougar™ First Stage Regulator, Forged Body, with Bell Alarm/ Plain Whistle Alarm/Warbling Whistle Alarm; HUD, RIC UAC Connection

Part	Description	Price
968837	Panther First Stage Regulator, Forged Body, 2216 psig, Bell Alarm, HUD, RIC/UAC	930.00
968836	Panther First Stage Regulator, Forged Body, 2216 psig, Plain Whistle Alarm, HUD, RIC/UAC	930.00
968838	Panther First Stage Regulator, Forged Body, 2216 psig, Warbling Whistle Alarm, HUD, RIC/UAC	980.00
968834	Panther First Stage Regulator, Forged Body, 3000 psig, Bell Alarm, HUD, RIC/UAC	930.00
968833	Panther First Stage Regulator, Forged Body, 3000 psig, Plain Whistle Alarm, HUD, RIC/UAC	930.00
968835	Panther First Stage Regulator, Forged Body, 3000 psig, Warbling Whistle Alarm, HUD, RIC/UAC	980.00
968831	Panther First Stage Regulator, Forged Body, 4500 psig, Bell Alarm, HUD, RIC/UAC	930.00
968830	Panther First Stage Regulator, Forged Body, 4500 psig, Plain Whistle Alarm, HUD, RIC/UAC	930.00
968832	Panther First Stage Regulator, Forged Body, 4500 psig, Warbling Whistle Alarm, HUD, RIC/UAC	980.00
961371	Panther First Stage Regulator, Forged Body, 2216 psig, Bell Alarm	425.00
961366	Panther First Stage Regulator, Forged Body, 2216 psig, Plain Whistle Alarm	425.00
961372	Panther First Stage Regulator, Forged Body, 2216 psig, Warbling Whistle Alarm	475.00
961363	Panther First Stage Regulator, Forged Body, 3000 psig, Bell Alarm	425.00
961359	Panther First Stage Regulator, Forged Body, 3000 psig, Plain Whistle Alarm	425.00
961364	Panther First Stage Regulator, Forged Body, 3000 psig, Warbling Whistle Alarm	475.00
961357	Panther First Stage Regulator, Forged Body, 4500 psig, Bell Alarm	425.00
961356	Panther First Stage Regulator, Forged Body, 4500 psig, Plain Whistle Alarm	425.00
961358	Panther First Stage Regulator, Forged Body, 4500 psig, Warbling Whistle Alarm	475.00
1	95721010 O-ring (Pkg. of 10)	9.00
2	960678 Inlet Nipple, L.P.	21.40
	910016 Inlet Nipple, H.P.	24.30
3	957024 O-ring	0.90
4	930132 Bearing	1.50
5	961314 Handwheel, L.P., Red	16.50
	961277 Handwheel, H.P., Green	16.50
6	860056 Retaining Ring	1.90
7	910022 Filter Retainer	1.90
8	910032 Filter	0.90
9	961107 Body Plug	8.10
10	961182 Valve Seat Assembly	19.80
	957310 O-ring	0.90
11	828508 Back-up Ring (2 req.)	0.90
12	824021 O-ring	1.90
13	830024 Flat Head Screw ¹	0.90
14	910078 Staple ¹	1.50
15	968885 Regulator Body, Forged, RIC/UAC	75.00
	961139 Regulator Body, Forged (Not Shown)	50.00
16	961312 Spring	12.10
17	961154 Piston	34.00
18	824019 O-ring	1.90
19	Deleted	
20	961698 Air Spool, Dual Alarm (Discontinued 01/00)	27.30
21	945085 Spacer (Discontinued 9/99)	0.90
22	961374 Flow Restrictor (Discontinued 9/99)	17.20
23	957304 O-ring (Discontinued 9/99)	1.50
24	961373 Housing (Discontinued 9/99)	13.20
25	957304 O-ring	1.50
26	820018 O-ring	1.90
27	957025 O-ring	0.90
28	961117 Outlet Fitting	13.40
29	95731210 O-ring (3 req.; 5 req. on Warbling Whistle) (Pkg. of 10)	9.00
30	961146 Intermediate Pressure Hose ¹	25.40
	961140 Intermediate Pressure Hose Assembly ¹	95.70
	961403 Intermediate Pressure Hose, Cougar ¹	37.30
31	864150 Retaining Ring	1.90
32	2961997 Dual Alarm Cap Assembly (Includes Overpressure Relief Valve) ^{2,3}	126.30
	961781 Dual Alarm Cap Assembly (Includes Overpressure Relief Valve) (Discontinued 11/99) ³	126.30

Part	Description	Price
33	839121 Cap Screw, 0.50 Inch Long (3 req.)	1.50
34	839122 Cap Screw, 1.0 Inch Long	0.90
35	910044 Poppet Adjustment Plug, 2216 psig	21.20
	910076 Poppet Adjustment Plug, 3000 psig	21.20
	910103 Poppet Adjustment Plug, 4500 psig	21.20
36	824016 O-ring	1.50
37	961173 Poppet Assembly (Discontinued 11/99)	14.30
38	824028 O-ring	1.50
39	95730810 O-ring (Pkg. of 10)	9.00
40	910248 Spring, L.P. (2216 psig, Yellow)	3.20
	910038 Spring, L.P. (3000 psig, Red)	3.20
	910035 Spring, H.P. (4500 psig, Green)	3.20
41	957306 O-ring (Not Shown, used on 961336 Air Flow Adjustment Screw, Discontinued 04/00)	0.90
42	961331 Air Flow Adjustment Screw	2.00
43	830901 Set Screw, Nylon Point	2.40
44	835201 Set Screw	0.90
45	824007 O-ring ¹	1.50
46	961118 Alarm Hose, 37" (Discontinued) ¹	53.30
	961399 Alarm Hose, 40" (Used with all configurations) ¹	50.10
47	961315 Alarm Seat, Bell Alarm, (Discontinued, Use Item 55, P/N 961354)	16.00
48	911002 Piston, Bell Alarm	7.40
49	911007 Spring	2.40
50	911003 Housing, Bell Alarm	14.30
51	961338 Bell	8.90
52	839120 Screw (2 req.)	0.90
53	961318 Whistle Assembly	17.00
54	961394 Whistle Shroud	21.20
55	961354 Alarm Seat, Warbling Whistle Alarm	19.10
56	961829 Piston, Warbling Whistle Alarm	20.20
57	961344 Housing, Warbling Whistle Alarm	33.90
58	961342 Cover, Warbling Whistle Alarm	16.20
59	957320 O-ring	0.90
60	961345 Acoustic Housing, Warbling Whistle Alarm	20.40
61	830027 Screw, Acoustic Housing, Warbling Whistle Alarm	0.90
62	961347 Shroud, Warbling Whistle Alarm	21.20
63	832014 Screw, Warbling Whistle Alarm Shroud	0.90
64	957313 O-ring	1.50
65	964928 Poppet Assembly	12.10
66	961353 Piston Module for Warbling Whistle	65.70
67	961543 Air Flow Restrictor	10.50
68	828508 Backup Ring	0.90
69	2941860 Air Flow Restrictor Assy. (Incl. #'s 67, 68 [2 req.], 45 [2 req.])	15.20
70	846015 Lock Washer (2 req.)	0.90
71	911006 Seat	8.20
72	961393 Spacer (Used on 3000 psig systems only)	3.20
73	957025 O-ring	0.90
74	968895 Relief Valve Assembly, 2216 psig (Incl. #73)	102.00
	968894 Relief Valve Assembly, 3000 psig (Incl. #73)	133.00
	968893 Relief Valve Assembly, 4500 psig (Incl. #73)	102.00
75	957040 O-ring	4.50
76	961482 Filter	3.00
77	961483 Male Coupling, High Pressure	298.00
78	961534 Dust Cap Assembly, Male	50.00
79	910193 Dual Outlet Fitting ⁴	118.40
	910097 Dual Outlet Fitting, SAR, with Check Valve ⁴	128.00
80	910096 Spacer ⁴	6.90
81	965115 Auxiliary Hose, Male/Female Coupling, SCBA ⁴	160.00
82	968077 Anti-Snag Bracket	See #85
83	839113 Screw, 10-32 X 5/8"	0.90
84	839119 Screw, 10-32 X 3/8"	0.90
85	846016 Lock Washer, (2 req.)	0.90
	968085 Kit, Anti-Snag Bracket	7.00

Legend

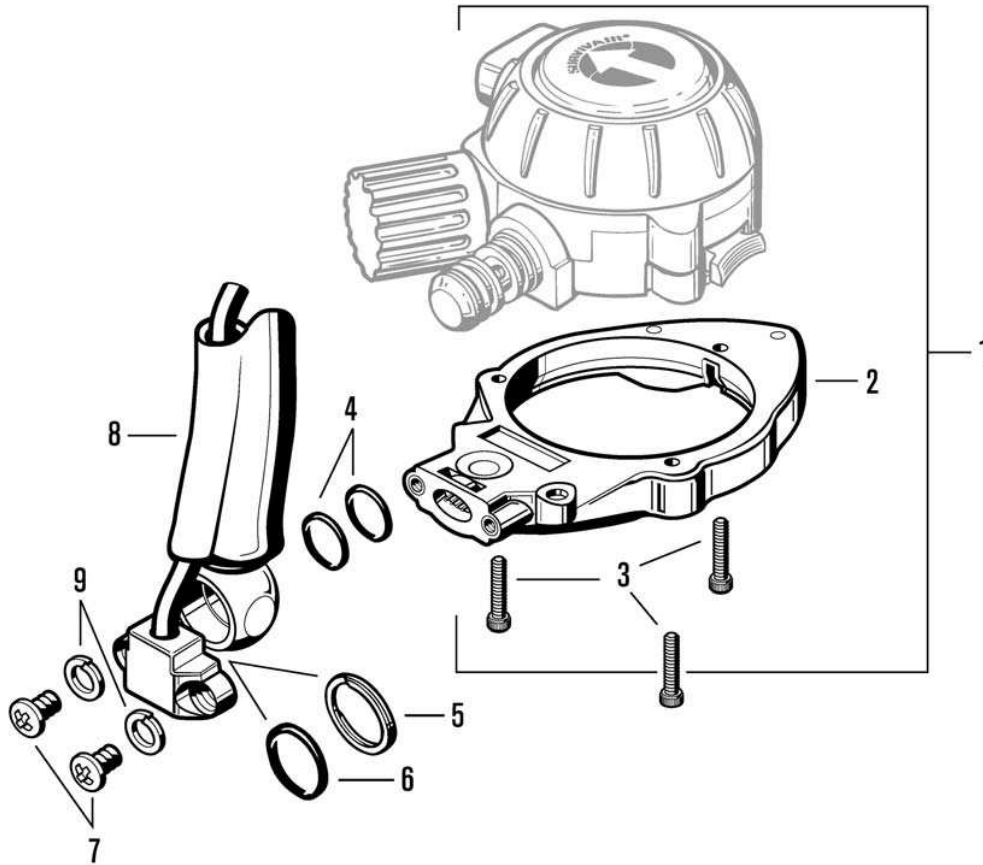
¹ Not included in basic assembly.

² Identified by an "F" stamped on the flat between the poppet adjustment plug and the airflow adjustment screw.

³ Overpressure relief valve is factory set; DO NOT adjust.

⁴ Component parts of 965110 & 965119 SCBA male/female Over-the-Shoulder Auxiliary Coupler Kit.

Heads-Up Display (HUD) Module and Panther®/Cougar™ Second Stage Regulator



Part	Description	Price
968930	Display Module, Second Stage Regulator Assembly, and Cable and Hose, for HUD Units with COMPASS, NFPA	500.00
968998	Display Module, Second Stage Regulator Assembly, and Cable and Hose, for HUD Units without COMPASS, NFPA	500.00
969120	Display Module, Second Stage Regulator Assembly, and Cable and Hose, for HUD Units with COMPASS, CBRN	550.00
969121	Display Module, Second Stage Regulator Assembly, and Cable and Hose, for HUD Units without COMPASS, CBRN	550.00
1	968801 Second Stage Regulator and HUD Assembly, NFPA ¹	350.00
	969163 Second Stage Regulator and HUD Assembly, CBRN ¹	420.00
2	968870 HUD Display Module, NFPA	97.00
	969167 HUD Display Module, CBRN	105.00
3	832511 Screw, 4-40 x 5/8" (3 req.)	1.50

Part	Description	Price
4	95731210 O-ring (Pkg. of 10)	9.00
5	864150 Spiral Ring	1.90
6	826002 O-ring	1.80
7	839508 Screw, Phillips Pan Head, Connection (2 req.)	0.90
	830024 Screw, Phillips Flat Head, Countersunk, HUD Connection (2 req.) Discontinued	0.90
8	968978 Hose and Cable Assembly, HUD with COMPASS	158.00
	968979 Hose and Cable Assembly, HUD without COMPASS	152.00
9	846014 Washer (2 req.)	0.90

Legend

¹ For parts breakdown of second stage regulator, see pages 27 and 28.

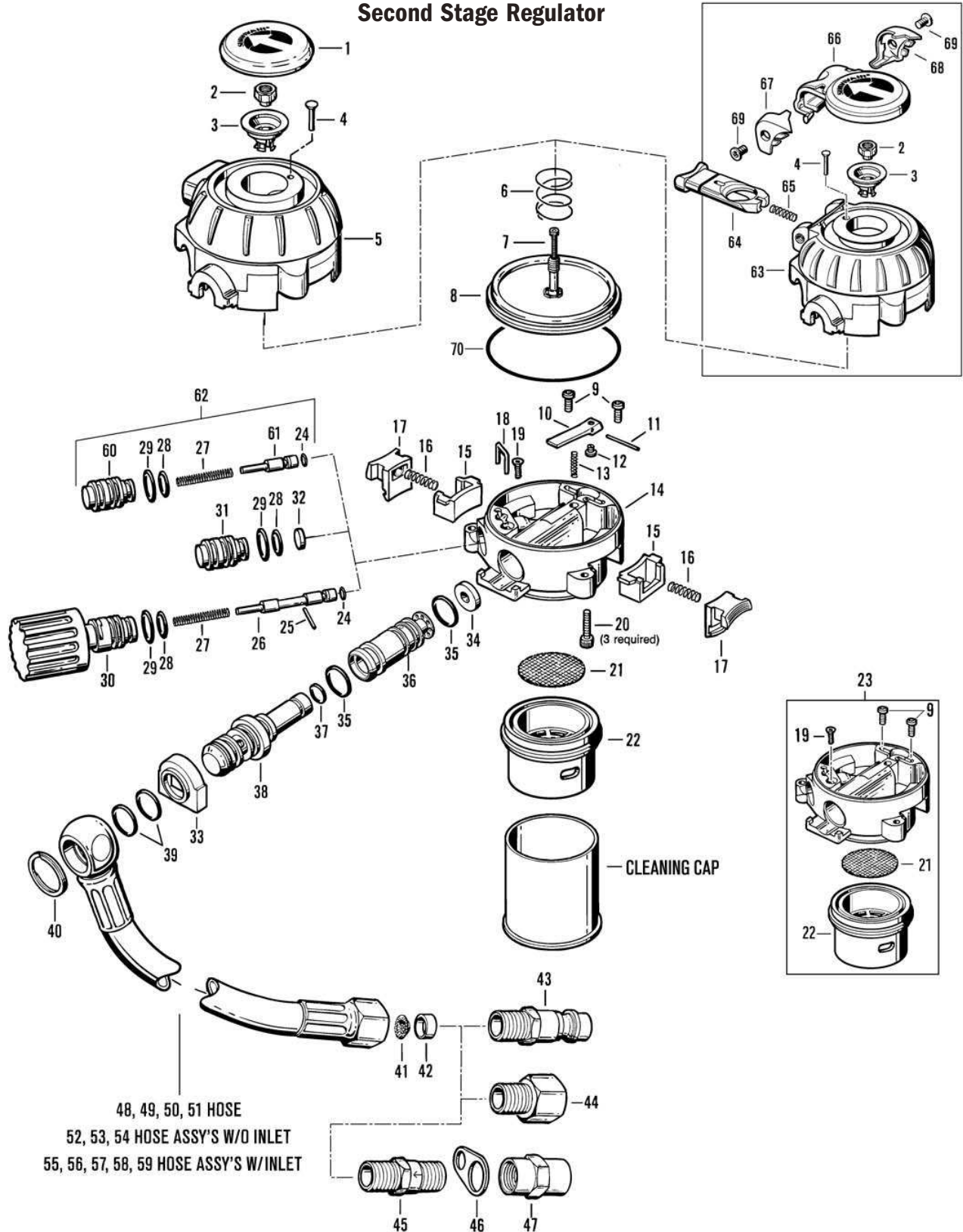


SCBA Labor Rates (Parts Additional)

Unit Overhauled			Total Labor*
Facepiece Overhaul, S-30, XL-30			38.00
Facepiece Overhaul, MK2			38.00
Facepiece Overhaul, Sigma Classic, PN 961574			38.00
Facepiece Overhaul, Sigma 20/20, PN 961653			38.00
Regulator, Annual Flow Test	On site - 45.00	At our facility - 35.00	
Regulator, Overhaul (Overhaul for S-30, XL-30, XL-60, Mark I, 9116, 9118, 9123, 9125, 9127, 9135 Series)			80.00
Regulator, Overhaul, MK2, 1st & 2nd Stages			145.00
Regulator, Overhaul, Sigma, 1st & 2nd Stages			145.00
Regulator, Overhaul, Panther, Cougar, 1st & 2nd Stages			160.00
Alarm, Overhaul, Continuous Ringing (S-30 & XL-30) (Survivair's current model, rings continuously at low press, replaces alarms which ring only during inhalation)			52.00
Alarm, Whistle Overhaul (Sigma, Omega, Panther & Cougar)			52.00
Valve, Cylinder, Overhaul, Old Style, PN 920100RK			52.00
Valve, Cylinder, Overhaul, New Style, PN 915125			52.00
Valve, Cylinder, Overhaul, HipPac CGA 346, 9750XX Style			52.00
Emergency Breathing Apparatus (EBA) Overhaul			55.00
HipPac Overhaul, Old Style, 1st Stage Only			55.00
HipPac Overhaul, New Style, 1st Stage Only, PN 975245			55.00
Supplied Air Respirator Overhaul (SAR), PN 940160RK			55.00

**You pay just the labor charge listed here
regardless of how long it takes us to service your unit.**

**Panther®/Cougar™/SECOBA/MARK 3/LO-PRO® SCBA,
Panther HIP-PAC, and Panther SAR
(LO-PRO and SECOBA Discontinued)
Second Stage Regulator**



**Panther®/Cougar™/SECOBA/MARK 3/LO-PRO® SCBA,
Panther HIP-PAC, and Panther SAR
(LO-PRO and SECOBA Discontinued)
Second Stage Regulator**

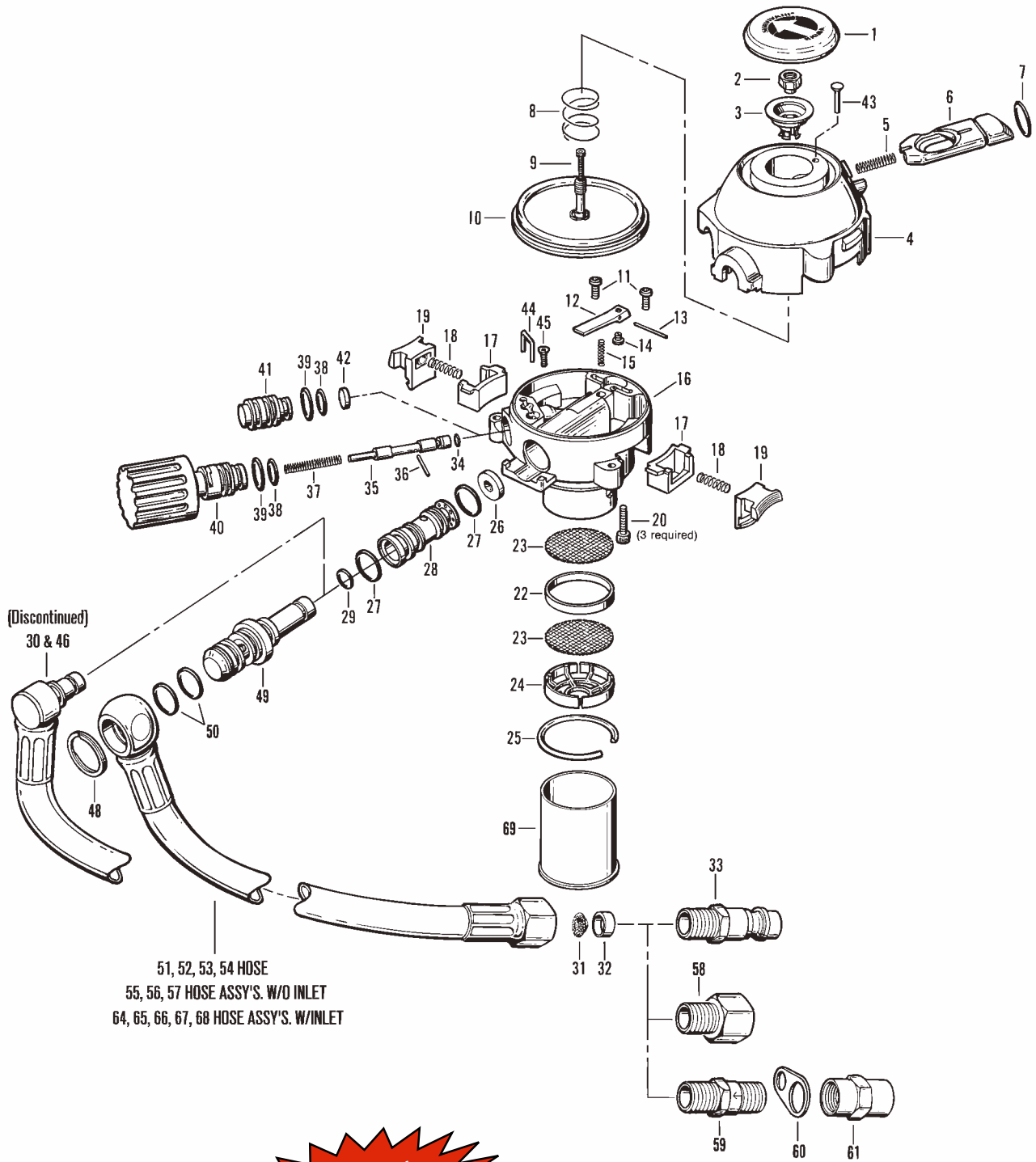
Part	Description	Price
961793	Panther/SECOBA/MARK 3/LO-PRO SCBA and Panther/SECOBA HIP-PAC Second Stage Regulator w/Quick Disconnect	299.00
961787	Panther/SECOBA SAR Second Stage Regulator, Non-bypass	349.00
968401	Panther/SECOBA SAR/P100 Second Stage Regulator	379.00
961719	Panther/SECOBA HIP-PAC Second Stage Regulator, Bypass, w/o Quick Disconnect	349.00
961709	Cougar/OMEGA Second Stage Regulator	299.00
1	980985 Manual Override Button	5.10
2	961034 Nut, FBO Adjuster	3.70
3	921056 Activator	3.70
4	961512 Pin	0.90
	955809 Screw, SAR/P100 only (Install from bottom of cover; Not Shown)	2.40
5	2968992 Cover w/Boot (Includes shutoff button mechanism, NFPA 2002 Configuration)	38.00
	968995 Cover w/Boot (Includes shutoff button mechanism, CBRN Configuration)	110.00
	968994 Cover Assembly w/Boot (Includes shutoff button mechanism, NFPA 2002 Configuration, and items 2, 3, 6, 7, and 8)	97.30
	2961707 Cover w/Boot (Includes shutoff button mechanism, NFPA 1997 Configuration; Not Shown)	35.90
	961004 Cover w/o Boot (SAR/P100; Not Shown)	22.00
6	961033 Spring	1.50
7	834031 Diaphragm Screw	0.90
8	961019 Diaphragm Assy., NFPA	49.50
	969171 Diaphragm Assy., CBRN	49.50
	971010 Diaphragm Check Valve (Required for CBRN, not shown)	10.00
9	945012 Screw, Self-tapping (2 req.)	0.90
10	961525 Trigger	7.40
11	961521 Pin	1.10
12	961542 Trigger Seat	24.90
	961519 Trigger Seat (No Longer Available)	
13	961035 Spring	2.00
14	2961796 Housing w/Pilot Jet, NFPA	44.70
	2969161 Housing w/Pilot Jet, CBRN	63.00
15	961006 Retainer, AIR KLIC, NFPA (2 req.)	2.50
	969156 Retainer, AIR KLIC, CBRN (2 req.)	2.50
16	961784 Spring (2 req.)	0.90
17	960991 AIR KLIC, Blue, Contoured, 1997 NFPA (2 req.)	1.20
	968804 AIR KLIC, HUD, Blue, Contoured, 2002 NFPA (2 req.)	1.60
	968805 AIR KLIC, HUD, Gray, Contoured, CBRN (2 req.)	2.60
18	961515 Bypass Staple	2.00
19	945013 Screw, Self-tapping	0.90
20	832505 Screw (3 req.)	0.90
21	960481 Screen	1.50
22	960951 Outlet CBRN	7.70
	960952 Outlet 1997/2002 NFPA	7.70
23	961723 Housing w/Pilot Jet Assy. (Incl. #'s 9 [2 req.], 14, 19, 21, 22)	44.70
24	82004610 O-ring (Pkg. of 10)	15.00
25	961025 Pin	0.90
26	961061 Shaft and Seat Assy.	9.60
27	961063 Spring	2.20
28	820043 O-ring	0.90
29	820044 O-ring	0.90
	824111 O-ring, CBRN	0.90

Part	Description	Price
30	961798 Bypass Knob	29.60
31	961129 Bypass Plug (for SAR) (Discontinued)	4.40
32	961128 Gasket Plug (Discontinued)	1.90
33	961791 Retainer Cap, NFPA	5.30
	969155 Retainer Cap, CBRN	5.30
34	2921053 Main Valve with Insert ¹	6.00
35	824027 O-ring (2 req.)	2.80
36	961008 Seat	3.20
37	82440110 O-ring (Pkg. of 10)	24.00
38	961797 Inlet Fitting	6.60
39	95731210 O-ring (2 req.) (Pkg. of 10)	9.00
40	864150 Retaining Ring	1.90
41	910032 Filter (Replace Annually)	0.90
42	988295 Spacer	5.30
43	968123 Nipple	12.00
44	930555 Adapter	2.80
45	960123 Check Valve	26.30
46	985224 Tab	2.25
47	930553 Adapter	2.40
48	961402 Hose, HIP-PAC	35.60
49	961403 Hose, Cougar	37.30
50	961404 Hose, SAR and SAR/P100	30.70
51	961405 Hose, Panther	24.90
52	961406 Hose Assy., SAR (Incl. #'s 41, 42, 44, 50)	41.40
53	961407 Hose Assy., SAR/P100 (Incl. #'s 41, 42, 45, 46, 47, 50)	79.80
54	961408 Hose Assy., Panther (Incl. #'s 41, 42, 43, 51)	39.00
55	961644 Hose Assy., HIP-PAC w/Inlet (Incl. #'s 37, 38, 39 [2 req.], 40, 48)	42.50
56	961646 Hose Assy., Cougar w/Inlet (Incl. #'s 37, 38, 39 [2 req.], 40, 49)	47.10
57	961648 Hose Assy., SAR w/Inlet (Incl. #'s 37, 38, 39 [2 req.], 40, 52)	49.20
58	961652 Hose Assy., SAR/P100 w/Inlet (Incl. #'s 37, 38, 39 [2 req.], 40, 53)	71.60
59	961654 Hose Assy., Panther w/Inlet (Incl. #'s 37, 38, 39 [2 req.], 40, 54)	52.50
60	961831 Bypass Plug	7.00
61	961833 Shaft and Seal Assembly, SAR Only	7.00
62	961834 Bypass Valve Assembly, SAR Only	20.00
63	961134 Cover w/Boot, replaceable FBO/Manual Override Button, NFPA	Call for price
	969072 Cover w/Boot, replaceable FBO/Manual Override Button, CBRN	Call for price
64	960987 Cam Rod	Call for price
65	961032 Spring	1.50
66	980067 FBO Cover and Manual Override Button	7.00
67	962294 FBO / Manual Override Button Retainer, Right	Call for price
68	962292 FBO / Manual Override Button Retainer, Left	Call for price
69	830032 Screw (2 req.)	Call for price
70	826003 O-ring (CBRN Units only)	7.00
KITS		
	961170 Panther Second Stage Cleaning Cap Kit	2.60
	873004 Panther Second Stage Cleaning Cap	2.30
	952534 AIR KLIC Button Kit (Incl. #'s 15, 16 [2 ea.], 17) (Assembled; Not Shown)	9.60

Legend

¹ Marked with "X" on the rim side of the main valve

**SIGMA/OMEGA/SECOBA/MARK 3/LO-PRO®/SIGMA SAR/SIGMA HIP-PAC
Second Stage Regulator
(Discontinued)**



**Airworks Sells
Reconditioned
2nd Stage Regulators**

SIGMA/OMEGA/SECOBA/MARK 3/LO-PRO®/SIGMA SAR/SIGMA HIP-PAC Second Stage Regulator (Discontinued)

Part	Description	Price
961000	SIGMA/MARK 3/LO-PRO/SIGMA HIP-PAC Second Stage w/Quick Disconnect (No Longer Available)	
968400	SIGMA SAR, Second Stage, Non-bypass (No Longer Available)	
968401	SIGMA SAR/P100, Second Stage (No Longer Available)	
968405	SIGMA HIP-PAC, Bypass w/o Quick Disconnect (No Longer Available)	
961497	OMEGA/SECOBA Second Stage (No Longer Available)¹	
1	961036 Manual Override Button	5.10
2	961034 Nut, FBO Adjuster ²	3.70
3	921056 Activator	3.70
4	961062 Cover w/Heat Insulator	31.50
	961567 Cover, SAR/P100	17.70
5	961032 Spring	1.50
6	961015 Cam Rod	3.90
7	824404 O-ring	1.50
8	961033 Spring	1.50
9	834031 Diaphragm Screw	0.90
10	961019 Diaphragm Assy.	49.50
11	831509 Screw	1.50
12	961525 Trigger (Ultem)	7.40
13	961521 Pin	1.10
14	961542 Trigger Seat	24.90
	961519 Trigger Seat (Discontinued)	
15	961035 Spring	2.00
16	A961011 Housing w/Pilot Jet	45.50
17	961006 Retainer (2 req.)	2.50
18	961784 Spring (2 req.)	0.90
	961017 Spring (2 req.) (Discontinued)	
19	968804 AIR KLIC (2 req.)	1.60
	961005 AIR KLIC (2 req.) (Discontinued)	
20	832505 Screw (3 req.)	0.90
21	961121 Screen, Fine (Discontinued) ³	
22	961520 Spacer	16.00
23	961027 Screen, Coarse (2 req.)	0.90
24	961026 Baffle	2.60
25	961010 Retaining Ring	3.90
26	921047 Main Valve	6.00
27	824027 O-ring (2 req.)	2.80
28	961008 Seat	3.20
29	82440110 O-ring (Pkg. of 10)	24.00
30	961522 Hose Assy. w/Male Fitting (Discontinued)	
31	910032 Filter (Replace Annually)	0.90
32	988295 Spacer	5.30
33	968123 Nipple	12.00
34	82004610 O-ring (Pkg. of 10)	15.00

Part	Description	Price
35	961061 Shaft and Seat Assy.	9.60
36	961025 Pin	0.90
37	961063 Spring	2.20
38	820043 O-ring	0.90
39	820044 O-ring	0.90
40	961013 Bypass Knob (Discontinued)	
41	961129 Bypass Plug (For SAR)	4.40
42	961128 Gasket Plug	1.90
43	961512 Pin	0.90
	955809 Screw, SAR/P100 (Install from bottom of cover) (Not Shown)	2.40
44	961515 Bypass Staple	2.00
45	830018 Screw	0.90
46	968480 HIP-PAC Hose w/o Cejn Quick Disconnect ⁴ (Discontinued)	64.50
	968485 SAR Hose ⁴ (Discontinued)	66.10
	961493 Intermediate Pressure Line, OMEGA/SECOBA (Discontinued)	58.40
47	Deleted	
48	864150 Retaining Ring	1.90
49	961503 Inlet Fitting	11.90
50	95731210 O-ring (Pkg. of 10)	9.00
51	961402 Hose, SIGMA HIP-PAC	35.60
52	961403 Hose, OMEGA/SECOBA	37.30
53	961404 Hose, SIGMA, SAR, SAR/P100	30.70
54	961405 Hose, Standard SIGMA	24.90
55	961408 Hose Assy., Standard SIGMA (Incl. #'s 54, 31, 32, 33) ⁵	39.00
56	961406 Hose Assy., SIGMA SAR (Incl. #'s 53, 31, 32, 58) ⁵	41.40
57	961407 Hose Assy., SIGMA SAR/P100 (Incl. #'s 53, 31, 32, 59, 60, 61) ⁵	79.80
58	930555 Adapter	2.80
59	960123 Check Valve	26.30
60	985224 Tab	2.25
61	930553 Adapter	2.40
62	952534 AIR KLIC Button Kit (Incl. #'s 17, 18, 19 [2 req.]) (Assembled; Not Shown)	9.60
63	961190 Trigger Kit (Not Shown)	39.20
64	961654 Hose Assy., Standard SIGMA w/Inlet (Incl. #'s 29, 48, 49, 50 [x2], 55)	52.50
65	961644 Hose Assy., SIGMA HIP-PAC w/Inlet (Incl. #'s 29, 48, 49, 50 [x2], 51)	42.50
66	961648 Hose Assy., SIGMA SAR w/Inlet (Incl. #'s 29, 48, 49, 50 [x2], 56)	49.20
67	961652 Hose Assy., SIGMA SAR/P100 w/Inlet (Incl. #'s 29, 48, 49, 50 [x2], 57)	71.60
68	961646 Hose Assy., OMEGA/SECOBA w/Inlet (Incl. #'s 29, 48, 49, 50 [x2], 52)	47.10
69	873004 SIGMA Second Stage Cleaning Cap	2.30
70	961170 SIGMA Second Stage Cleaning Cap Kit (Incl. #69, Not Shown)	2.60

Legend

¹ SECOBA available in Australia and New Zealand only.

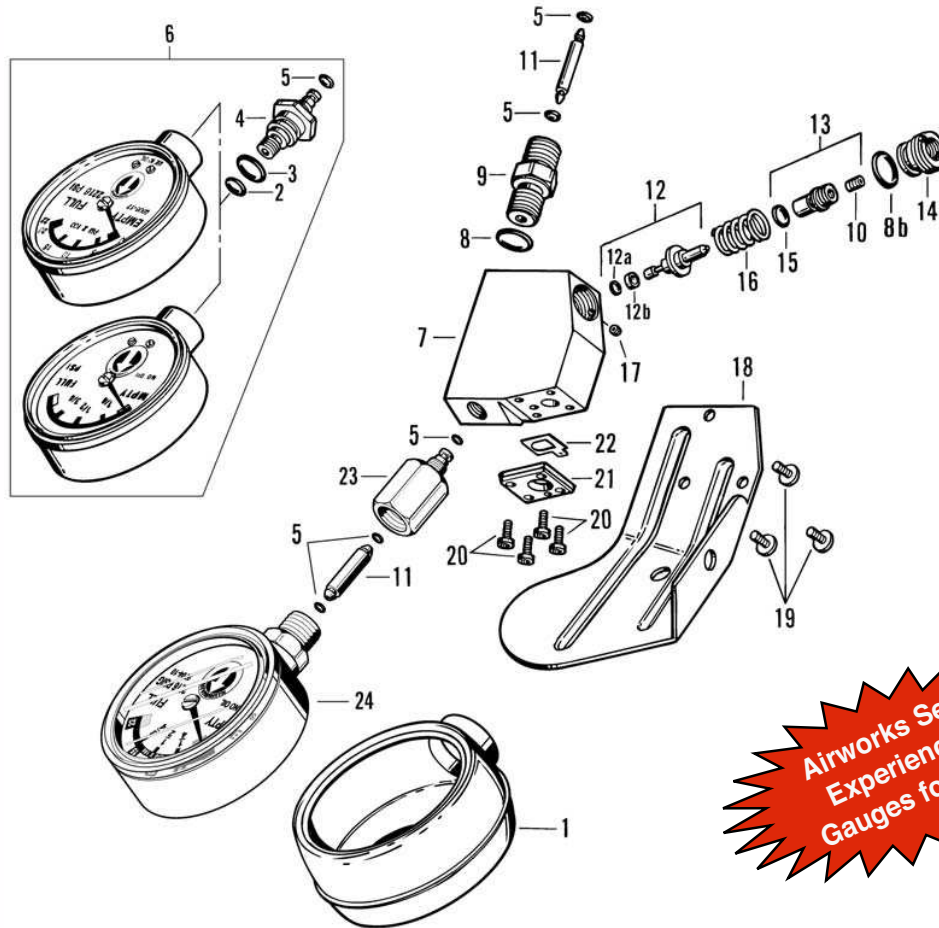
² Not used on SAR/P100 regulator.

³ Fine screen discontinued; use coarse screen, P/N 961027 (Item 23), as replacement.

⁴ Not included in basic assembly.

⁵ Does not include items 29, 48, 49, or 50 (x2).

**Panther®/Cougar™/SIGMA/OMEGA
SECOBA/LO-PRO®
Gauge/Alarm (Discontinued)**



Part	Description	Price
961040	Panther/Cougar/SIGMA/OMEGA/LO-PRO Gauge/Alarm, 4500 psig (H.P.)	241.00
961060	Panther/Cougar/SIGMA/OMEGA Gauge/Alarm, 2216 psig (L.P.)	236.00
961164	Panther/Cougar/SIGMA/OMEGA Gauge/Alarm, 3000 psig (L.P.)	258.00
961420	SECOBA Gauge/Alarm, H.P. (300 bar)¹	241.00
961425	SECOBA Gauge/Alarm, L.P. (200 bar)¹	241.00
1	980604 Gauge Boot, Black	9.50
	980625 Gauge Boot, Red, L.P.	9.50
	980626 Gauge Boot, Green, H.P.	9.50
2	820007 O-ring	0.90
3	820011 O-ring	0.90
4	980627 Gauge Stem	9.50
5	82004610 O-ring (3 req.) (Pkg. of 10)	15.00
6	³ Gauge, 2216 psig w/Red Boot	
	³ Gauge, 4500 psig w/Green Boot	
	³ Gauge, 3000 psig w/Red Boot	
	³ Gauge, 200 bar w/Red Boot ¹	
	³ Gauge, 300 bar w/Green Boot ¹	
	³ Gauge, Numerical, 4500 psig w/Green Boot, for SIGMA/OMEGA/LO-PRO w/Whistle Alarm	
	³ Gauge, Numerical, 2216 psig w/Red Boot, for SIGMA/OMEGA/LO-PRO w/Whistle Alarm	
7	961047 Alarm Body	83.80
8	957023 O-ring	0.90
8a	957041 O-ring	2.40
9	961057 Swivel Adapter	5.40
10	835021 Set Screw (Use with #13 on alarms assembled after November 1995)	1.50

Part	Description	Price
11	961151 Air Spool w/o O-rings ²	29.70
	961122 Air Spool with O-rings ²	31.80
12	Z942327 Alarm Piston Assy.	47.00
12a	824018 O-ring	1.50
12b	828504 Backup Ring	1.50
13	961511 Alarm Screw Assy.	14.50
14	961043 Plug, Green (H.P.)	5.70
	961053 Plug, Red (L.P.)	5.70
15	824197 O-ring	1.50
16	961051 Spring, 2216 psig (200 bar), 3000 psig, Red	7.00
	961052 Spring, 4500 psig (300 bar), Green	7.00
17	830801 Set Screw	0.90
18	961049 Back Plate	8.20
19	839517 Screw	0.90
20	839103 Screws (4 req.)	1.50
21	961120 Whistle Cover	17.10
22	961046 Whistle Shim	4.50
23	921057 Adapter	45.00
24	980642 Gauge, 2216 psig w/Black Boot	78.80
	980641 Gauge, 4500 psig w/Black Boot	78.80
	980643 Gauge, 3000 psig w/Black Boot	78.80
	980647 Gauge, 200 bar w/Black Boot ¹	78.80
	980648 Gauge, 300 bar w/Black Boot ¹	78.80

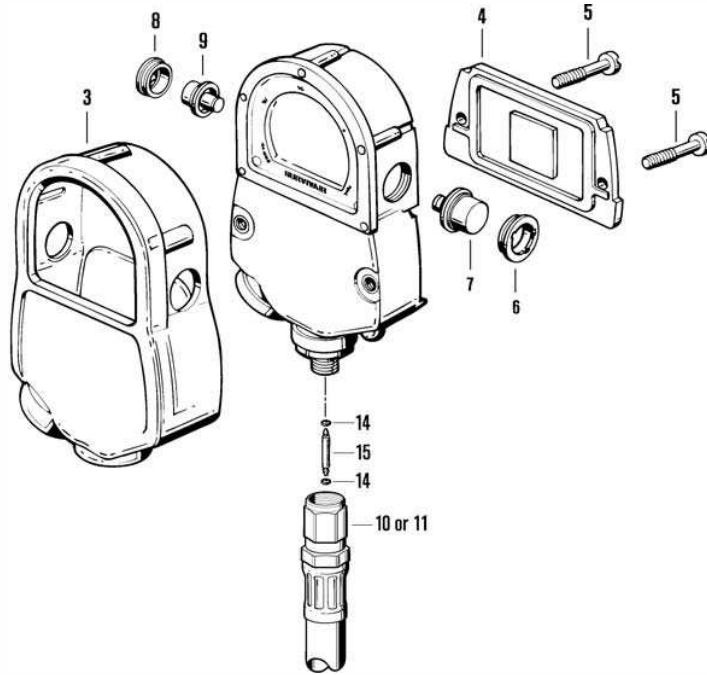
Legend

¹ SECOBA available in Australia and New Zealand only.

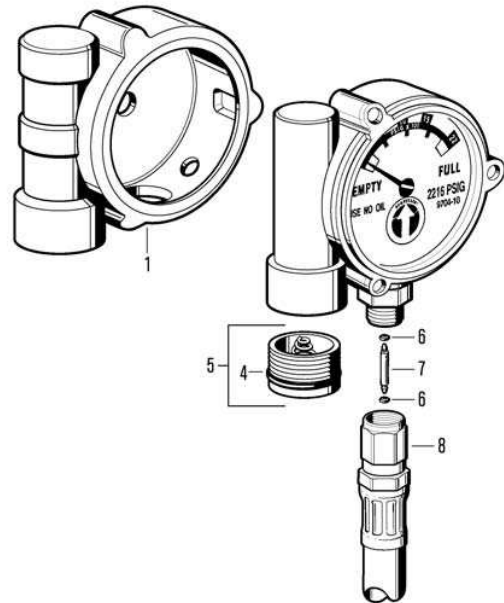
² Not included in basic assembly.

³ No longer available.

ADAM® (Advanced Display and Alarm Module)



Analog Gauge with Visual Alarm¹



Part	Description	Price
962440	ADAM Kit, 2216 psig	600.00
962460	ADAM Kit, 4500 psig	600.00
962439	ADAM Kit, 3000 psig	600.00
1	Deleted	
2	Deleted	
3	962425 ADAM Boot, Red (2216 and 3000 psig)	28.00
	962426 ADAM Boot, Green (4500 psig)	28.00
4	962485 Battery Cover	14.10
5	962480 Screw (2 req.)	3.30
6	962481 Retaining Ring, Backlight Button	1.90
7	962482 Backlight Button (Yellow, Large)	1.90
8	962483 Retaining Ring, Battery Check Button	1.90
9	962484 Battery Check Button (Orange, Small)	1.90
10	980063 Alarm Hose with Flow Restrictor (Used on MARK 2 first stage regulators and SIGMA/Panther forged body first stage regulators WITHOUT bell, plain whistle, or warbling whistle alarm modules.) ²	58.80
11	961399 Alarm Hose without Flow Restrictor (Used on SIGMA machined body first stage regulators and SIGMA/Panther forged body first stage regulators WITH bell, plain whistle, or warbling whistle alarm modules installed.) ²	50.10
12	960019 Hose Retainer Strap (Used w/MightyLight Backpack) (Not Shown) ²	10.90
13	961616 Battery, 9-volt Alkaline, NEDA 1604A (Not Shown)	9.00
14	82004610 O-ring (2 req.) (Pkg. of 10) ²	15.00
15	961151 Air Spool w/o O-rings ²	29.70
	961122 Air Spool with O-rings ²	31.80

Part	Description	Price
970400	Analog Gauge with Visual Alarm, 2216 psig with Boot	150.00
970401	Analog Gauge with Visual Alarm, 3000 psig with Boot	150.00
970402	Analog Gauge with Visual Alarm, 4500 psig with Boot	150.00
1	970414 Analog Gauge with Visual Alarm Boot, Black	18.00
2	Deleted	
3	Deleted	
4	824030 O-ring	1.50
5	970413 Battery Cap w/Spring	10.00
6	82004610 O-ring (Pkg. of 10) ²	15.00
7	961151 Air Spool without O-rings ²	29.70
	961122 Air Spool with O-rings ²	31.80
8	961118 Alarm Hose without Flow Restrictor ^{2, 3}	53.30
	980618 Alarm Hose with Flow Restrictor ^{2, 4}	65.00
	970415 Battery, CR2 1/2AA Lithium Cell (2 req.)	7.50
KITS		
	970412 Kit, Analog Gauge with Visual Alarm, 4500 psig	155.00
	970411 Kit, Analog Gauge with Visual Alarm, 3000 psig	155.00
	970410 Kit, Analog Gauge with Visual Alarm, 2216 psig	155.00

Legend

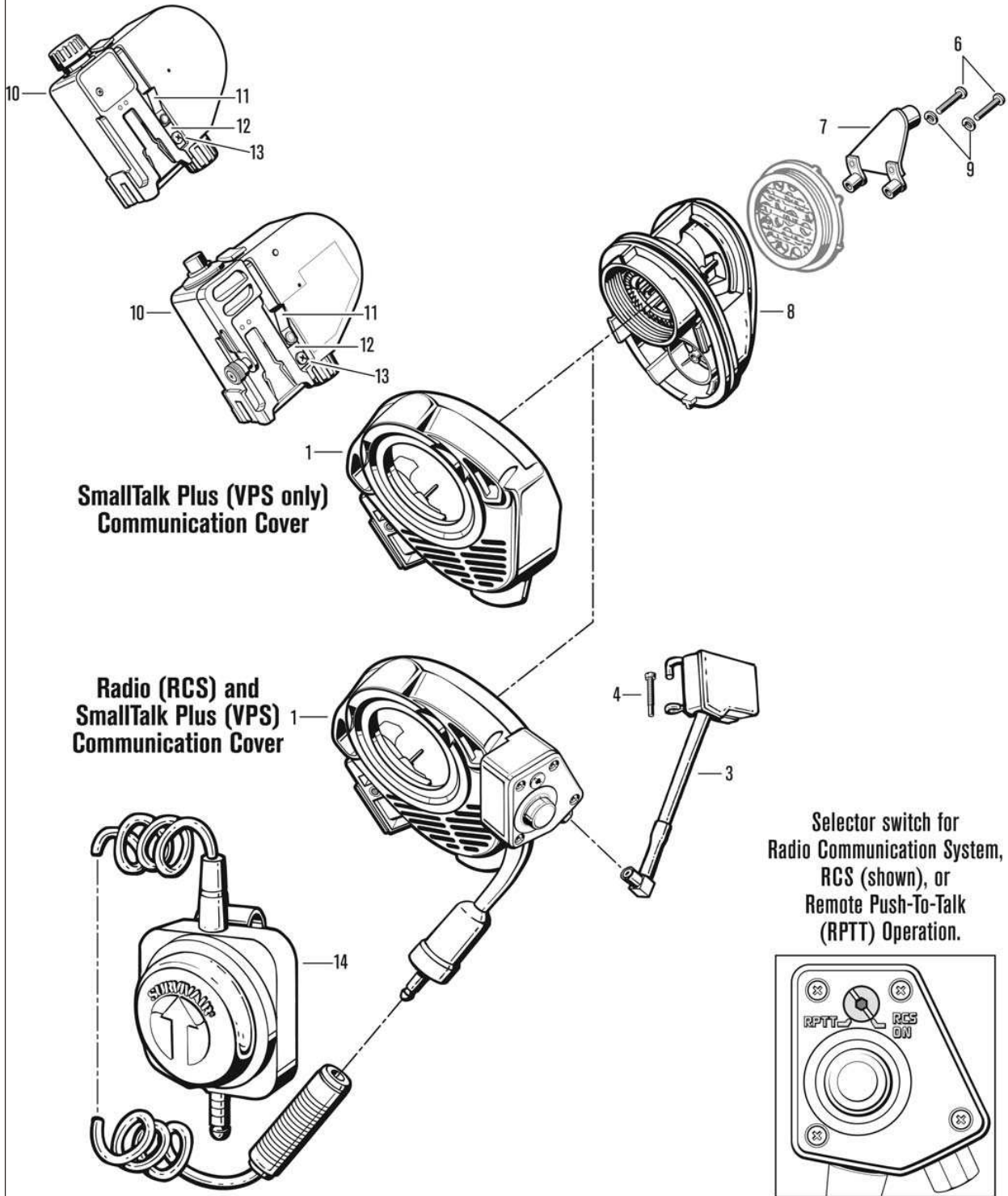
¹ Requires two (2) Duracell DL CR2 1/2AA Lithium cell batteries.

² Not included in basic assembly.

³ Used on SIGMA/Panther forged body first stage regulators WITH bell, plain whistle, or warbling whistle alarm modules installed.

⁴ Used on MARK 2 first stage regulators.

**Radio Communication System (RCS) and SmallTalk® Plus for
TwentyTwenty® Plus Facepiece (HUD-Compatible)**



Radio Communication System (RCS) and SmallTalk® Plus for TwentyTwenty® Plus Facepiece (HUD-Compatible)

Part	Description	Price
964331	TwentyTwenty Plus Radio Communication System (RCS) Kit, New Style (w/ thumbscrew), NFPA 2002 (compatible with all SmallTalk Plus Module styles)¹	475.00
964171	TwentyTwenty Plus Radio Communication System (RCS) Kit, Old Style (w/ out thumbscrew), NFPA 2002 (compatible with all SmallTalk Plus Module styles)¹	475.00
242161	TwentyTwenty Plus Radio Communication System (RCS) Kit, CBRN, New Style (w/ thumbscrew) (compatible with all SmallTalk Plus Module styles)¹ Projected availability late 2006	500.00
242131	TwentyTwenty Plus Radio Communication System (RCS) Kit, CBRN, Old Style (w/ out thumbscrew) (compatible with all SmallTalk Plus styles)¹	500.00
1 968881	Cover, Communications, VPS/RCS w/RCS Module, New Style (w/ thumbscrew), NFPA 2002 (Black push-to-talk button supplied with both the 964331 & 964171 Kits; compatible with all SmallTalk Plus Module styles) ¹	280.00
968926	Cover, Communications, VPS/RCS w/RCS Module, Old Style (w/ out thumbscrew), NFPA 2002 (Blue/Gray push-to-talk button; offered as a spare part only) ²	280.00
242151	Cover, Communications, VPS/RCS w/RCS Module, CBRN, New Style (w/ thumbscrew) (Black push-to-talk button) ¹	290.00
242121	Cover, Communications, VPS/RCS w/RCS Module, CBRN, Old Style (w/ out thumbscrew) (Blue/Gray push-to-talk button; offered as a spare part only) ²	290.00
2	Deleted	
3 964199	Ear Speaker and Cable Assembly, NFPA 2002	99.00
964133	Ear Speaker and Cable Assembly, CBRN	119.00
4 962330	Speaker Mounting Screw	16.90
5	Deleted	
6 839528	Screw, 4-40 x 0.50 (2 req.)	0.90
7 963002	Microphone Assembly ³	34.00
8 964228	Nozzle Assembly, Communications	27.50
9 846014	Lock Washer (2 req.)	0.90
962024	Ear Speaker and Cable Assembly Retainer (Not Shown)	2.00
964333	TwentyTwenty Plus Radio Communication System (RCS) Kit with SmallTalk Plus Kit, New Style (w/ thumbscrew), NFPA 2002 (compatible with all SmallTalk Plus Module styles)¹	725.00
964173	TwentyTwenty Plus Radio Communication System (RCS) Kit with SmallTalk Plus Kit, Old Style (w/ out thumbscrew), NFPA 2002 (compatible with all SmallTalk Plus styles)¹	725.00
242163	TwentyTwenty Plus Radio Communication System (RCS) Kit with SmallTalk Plus Kit, New Style (w/ thumbscrew), NFPA 2002 (compatible with all SmallTalk Plus Module styles)¹ Projected availability late 2006	750.00
242133	TwentyTwenty Plus Radio Communication System (RCS) Kit with SmallTalk Plus Kit, Old Style (w/ out thumbscrew), CBRN (compatible with all SmallTalk Plus Module styles)¹	750.00
1 968881	Cover, Communications, VPS/RCS w/RCS Module, New Style (w/ thumbscrew), NFPA 2002 (Black push-to-talk button supplied with both the 964331 & 964171 Kits; compatible with all SmallTalk Plus Module styles) ¹	280.00
968926	Cover, Communications, VPS/RCS w/RCS Module, Old Style (w/ out thumbscrew), NFPA 2002 (Blue/Gray push-to-talk button; offered as a spare part only) ²	280.00
242151	Cover, Communications, VPS/RCS w/RCS Module, CBRN, New Style (w/ thumbscrew) (Black push-to-talk button) ¹	290.00
242121	Cover, Communications, VPS/RCS w/RCS Module, CBRN, Old Style (w/ out thumbscrew) (Blue/Gray push-to-talk button; offered as a spare part only) ²	290.00
2	Deleted	
3 964199	Ear Speaker and Cable Assembly, NFPA 2002	99.00
964133	Ear Speaker and Cable Assembly, CBRN	119.00
4 962330	Speaker Mounting Screw	16.90
5	Deleted	
6 839528	Screw, 4-40 x 0.50 (2 req.)	0.90
7 963002	Microphone Assembly ³	34.00
8 964228	Nozzle Assembly, Communications	27.50
9 846014	Lock Washer (2 req.)	0.90
10 963111	SmallTalk Plus Module with thumbscrew, NFPA 2002 (included in 964333 kit)	250.00
963071	SmallTalk Plus Module, NFPA 2002 (included in 964173 kit)	250.00
963112	SmallTalk Plus Module with thumbscrew, CBRN (included in 242163 kit)	260.00
962036	SmallTalk Plus Module CBRN (included in 242133 kit)	260.00
11 2962930	SmallTalk Plus Locking Arm Assembly, NFPA 2002	6.30
962905	SmallTalk Plus Locking Arm Assembly, CBRN	6.30
12 962872	SmallTalk Plus Locking Arm Plate, NFPA 2002	9.00
962849	SmallTalk Plus Locking Arm Plate, CBRN	9.00

Part	Description	Price
13 962649	SmallTalk Plus Locking Arm Screw	0.90
962024	Ear Speaker and Cable Assembly Retainer (Not Shown)	2.00
969083	TwentyTwenty Plus® Remote Push-to-Talk (RPTT) Kit (Black Button)¹	400.00
964165	TwentyTwenty Plus® Remote Push-to-Talk (RPTT) Kit (Gray Button)²	400.00
14 962239	Remote Push-to-Talk Module (Black Button) ¹	360.00
962313	Remote Push-to-Talk Module (Gray Button) ²	360.00
964322	SmallTalk Plus Kit, New Style (w/ thumbscrew), NFPA 2002 (compatible with all SmallTalk Plus Module styles)	380.00
964172	SmallTalk Plus Kit, Old Style (w/ out thumbscrew), NFPA 2002 (compatible with all SmallTalk Plus Module styles)	380.00
242162	SmallTalk Plus Kit, New Style (w/ thumbscrew), CBRN (compatible w/ all SmallTalk Plus Module styles) Projected availability late 2006	400.00
242132	SmallTalk Plus Kit, Old Style (w/ out thumbscrew), CBRN (compatible with all SmallTalk Plus Module styles)	400.00
1 968882	Cover, Communications, VPS, New Style (w/ thumbscrew), NFPA 2002 (supplied with both the 964332 & 964172 kits; compatible with all SmallTalk Plus Module styles)	75.00
968927	Cover, Communications, VPS, Old Style (w/ out thumbscrew), NFPA 2002 (offered as a spare part only)	75.00
242152	Cover, Communications, VPS, New Style (w/ thumbscrew), CBRN (supplied with both the 242162 & 242132 kits; compatible with all SmallTalk Plus Module styles)	75.00
242122	Cover, Communications, VPS, Old Style (w/ out thumbscrew), CBRN (offered as a spare part only)	75.00
6 839528	Screw, 4-40 x 0.50 (2 req.)	0.90
7 963002	Microphone Assembly ³	34.00
8 964228	Nozzle Assembly, Communications	27.50
9 846014	Lock Washer (2 req.)	0.90
10 963111	SmallTalk Plus Module with thumbscrew, NFPA 2002 (included in 964333 kit)	250.00
963071	SmallTalk Plus Module, NFPA 2002 (included in 964173 kit)	250.00
963112	SmallTalk Plus Module with thumbscrew, CBRN (included in 242163 kit)	260.00
963026	SmallTalk Plus Module CBRN (included in 242133 kit)	260.00
11 962930	SmallTalk Plus Locking Arm Assembly, NFPA 2002	6.30
962905	SmallTalk Plus Locking Arm Assembly, CBRN	6.30
12 962872	SmallTalk Plus Locking Arm Plate, NFPA 2002	9.00
962849	SmallTalk Plus Locking Arm Plate, CBRN	9.00
13 962649	SmallTalk Plus Locking Arm Screw	0.90

964334	SmallTalk Plus Facepiece Modification Kit, New Style (w/ thumbscrew), NFPA 2002 (compatible with all SmallTalk Plus Module styles) (Excludes SmallTalk Plus Module, #10)	130.00
964170	SmallTalk Plus Facepiece Modification Kit, Old Style (w/ out thumbscrew), NFPA 2002 (compatible with all SmallTalk Plus Module styles) (Excludes SmallTalk Plus Module, #10)	130.00
242164	SmallTalk Plus Facepiece Modification Kit, New Style (w/ thumbscrew), CBRN (compatible with all SmallTalk Plus Module styles) (Excludes SmallTalk Plus Module, #10) Projected availability late 2006	140.00
242120	SmallTalk Plus Facepiece Modification Kit, Old Style (w/ out thumbscrew), CBRN (compatible with all SmallTalk Plus Module styles) (Excludes SmallTalk Plus Module, #10)	140.00
1 968882	Cover, Communications, VPS, New Style (w/ thumbscrew), NFPA 2002 (supplied with both the 964332 & 964172 kits; compatible with all SmallTalk Plus Module styles)	75.00
968927	Cover, Communications, VPS, Old Style (w/ out thumbscrew), NFPA 2002 (offered as a spare part only)	75.00
242152	Cover, Communications, VPS, New Style (w/ thumbscrew), CBRN (supplied with both the 242162 & 242132 kits; compatible with all SmallTalk Plus Module styles)	75.00
242122	Cover, Communications, VPS, Old Style (w/ out thumbscrew), CBRN (offered as a spare part only)	75.00
6 839528	Screw, 4-40 x 0.50 (2 req.)	0.90
7 963002	Microphone Assembly ³	34.00
8 964228	Nozzle Assembly, Communications	27.50
9 846014	Lock Washer (2 req.)	0.90

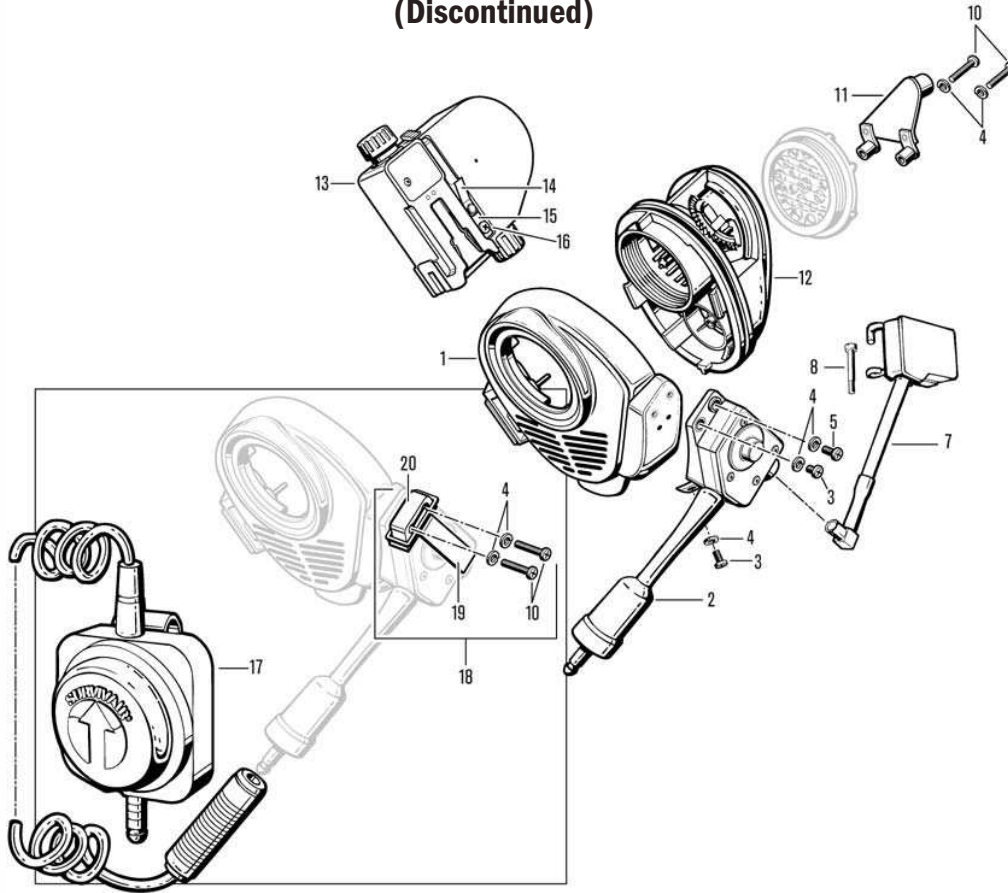
Legend

¹ RCS components with Black Push-To-Talk buttons will only work with other RCS components with Black Push-To-Talk buttons

² RCS components with Blue/Gray Push-To-Talk buttons will only work with other RCS components with Gray Push-To-Talk buttons

³ This assembly includes:
2 ea. P/N 839528 Screws
2 ea. P/N 846014 Lock Washers

TwentyTwenty® Plus Facepiece Radio Communication System (RCS) and SmallTalk® Plus (Discontinued)



Part	Description	Price
963050	TwentyTwenty Plus Radio Communication System (RCS) Kit	725.00
1	963068 Cover, Communications, VPS/RCS w/Module	265.00
2	962310 RCS Module	325.00
3	839527 Screw, 4-40 x 0.25 (2 req.)	0.90
4	846014 Lock Washer (5 req.)	0.90
5	839508 Screw, 4-40 x 0.312	0.90
6	Deleted	
7	964199 Ear Speaker and Cable Assembly	99.00
8	962330 Speaker Mounting Screw	16.90
9	Deleted	
10	839528 Screw, 4-40 x 0.50 (2 req.)	0.90
11	963002 Microphone Assembly ¹	34.00
12	Z962878 Nozzle Assembly, Communications	22.00
963080	TwentyTwenty Plus Radio Communication System (RCS) Kit with SmallTalk Plus Kit	1,000.00
1	963068 Cover, Communications, VPS/RCS	265.00
2	962310 RCS Module	325.00
3	839527 Screw, 4-40 x 0.25 (2 req.)	0.90
4	846014 Lock Washer (5 req.)	0.90
5	839508 Screw, 4-40 x 0.312	0.90
6	Deleted	
7	964199 Ear Speaker and Cable Assembly	99.00
8	962330 Speaker Mounting Screw	16.90
9	Deleted	
10	839528 Screw, 4-40 x 0.50 (2 req.)	0.90
11	963002 Microphone Assembly ¹	34.00
12	Z962878 Nozzle Assembly, Communications	22.00
13	963071 SmallTalk Plus Module	250.00
14	962877 SmallTalk Plus Locking Arm Assembly	8.50
15	962872 SmallTalk Plus Locking Arm Plate	9.00
16	962649 SmallTalk Plus Locking Arm Screw	0.90

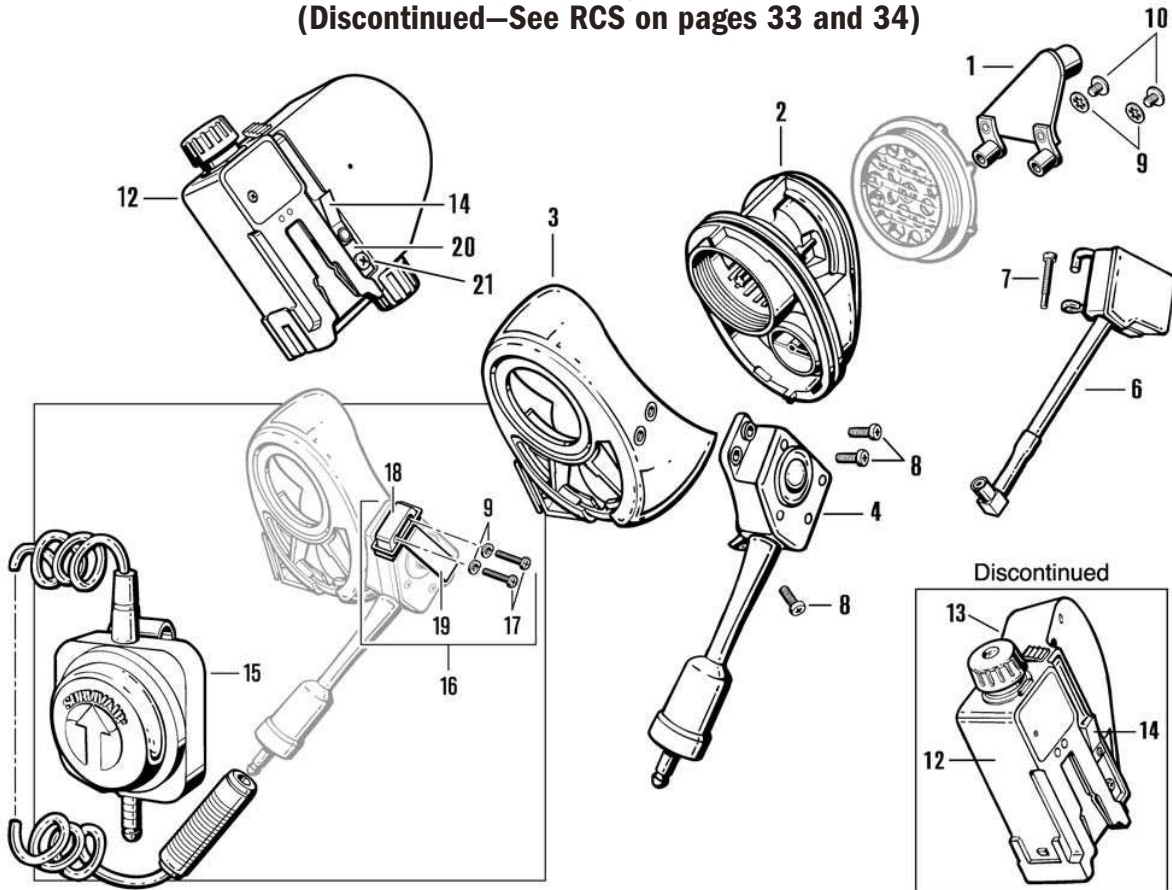
Part	Description	Price
962303	TwentyTwenty Plus Remote Push-to-Talk (RPTT) Kit	375.00
17	962313 Remote Push-to-Talk Module	360.00
18	963090 Remote Push-to-Talk Override Bracket Kit, (Incl. #'s 4 [2 req.], 10 [2 req.], 19, 20)	30.00
19	963091 Override Bracket	10.00
20	963093 Insulator Block Assembly	23.00
963070	SmallTalk Plus Kit	400.00
1	963069 Cover, Communications, VPS	83.00
4	846014 Lock Washer (2 req.)	0.90
10	839528 Screw, 4-40 x 0.50 (2 req.)	0.90
11	963002 Microphone Assembly ¹	34.00
12	Z962878 Nozzle Assembly, Communications	22.00
13	963071 SmallTalk Plus Module	250.00
14	962877 SmallTalk Plus Locking Arm Assembly	8.50
15	962872 SmallTalk Plus Locking Arm Plate	9.00
16	962649 SmallTalk Plus Locking Arm Screw	0.90
963072	SmallTalk Plus Facepiece Modification Kit (Excludes SmallTalk Plus Module, Item #13)	125.00
1	963069 Cover, Communications, VPS	83.00
4	846014 Lock Washer (2 req.)	0.90
10	839528 Screw, 4-40 x 0.50 (2 req.)	0.90
11	963002 Microphone Assembly ¹	34.00
12	Z962878 Nozzle Assembly, Communications	22.00

Legend

- ¹ This assembly includes:
 2 ea. P/N 839528 Screws
 2 ea. P/N 846014 Lock Washers

NOTE: Radio interface cables are not shown. Refer to the SCBA Top Level price list for radio interface cable descriptions and pricing.

TwentyTwenty® Facepiece Radio Communication System and SmallTalk® (Discontinued—See RCS on pages 33 and 34)



Part	Description	Price
962300	TwentyTwenty Radio Communication System (RCS) Kit	775.00
1	963002 Microphone Assembly ¹	34.00
2	962325 Nozzle Assembly, Communications ²	16.50
3	962314 Cover, Communications ²	155.00
4	962310 RCS Module	325.00
5	Deleted	
6	964199 Ear Speaker and Cable Assembly	99.00
7	962330 Screw, Ear Speaker	16.90
8	833026 Screw, 5/16", Self-locking (3 req.)	1.40
9	846014 Lock Washer (2 req.)	0.90
10	839528 Screw, 4-40 x 0.50, (2 req.)	0.90
10a	961544 Flat Washer	0.90
962303	TwentyTwenty Remote Push-to-Talk (RPTT) Kit	375.00
15	962313 Remote Push-to-Talk Module	360.00
16	963090 Remote Push-to-Talk Override Bracket Kit (Incl. #'s 9 [2 req.], 17 [2 req.], 18, 19)	30.00
17	839528 Screw, 4-40 x 0.50 (2 req.)	0.90
18	963093 Insulator Block Assembly	23.00
19	963091 Override Bracket	10.00
20	962872 Locking Arm Plate	9.00
21	962649 Screw	0.90

Part	Description	Price
962302	TwentyTwenty Radio Communication System (RCS) and SmallTalk Kit³	1000.00
962301	TwentyTwenty SmallTalk Kit	500.00
962304	TwentyTwenty Facepiece Modification Kit (SmallTalk Kit w/o Module [Incl. #'s 1, 2, 3, 9 (2x), and 10 (2x)])	275.00
1	963002 Microphone Assembly ¹	34.00
2	962325 Nozzle Assembly, Communications ²	16.50
3	962314 Cover, Communications ²	155.00
9	846014 Lock Washer (2 req.)	0.90
10	839528 Screw, 4-40 x 0.50 (2 req.)	0.90
12	963071 SmallTalk Plus Module	250.00
	962311 SmallTalk Module (Discontinued)	225.00
13	963055 Speaker Cover (Not Shown)	12.00
14	962877 SmallTalk Locking Arm Assembly	8.50
20	962872 SmallTalk Plus Locking Arm Plate	9.00
21	962649 SmallTalk Plus Locking Arm Screw	0.90

Legend

¹ This assembly includes:

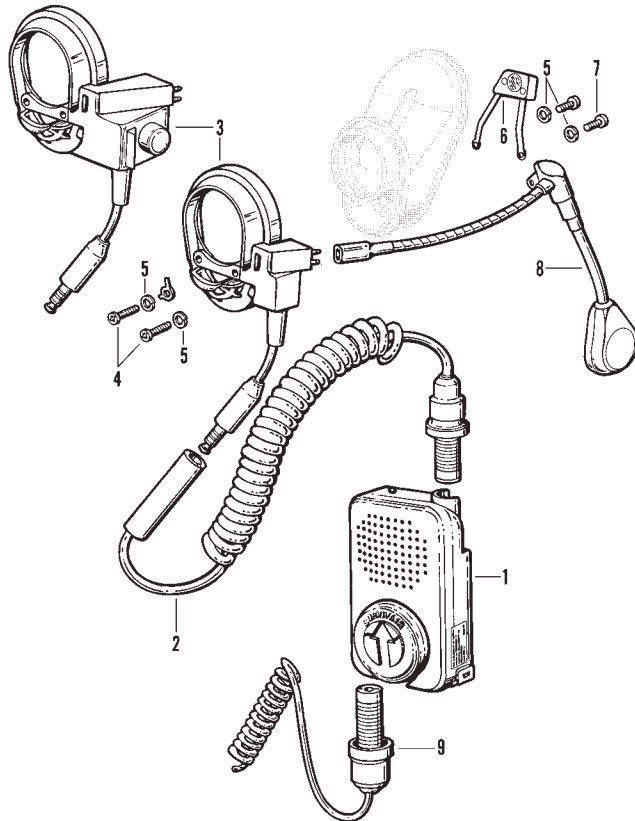
- 2 ea. P/N 839528 Screws
- 2 ea. P/N 846014 Lock Washers

² Included in both the 962300 and 962301 kits.

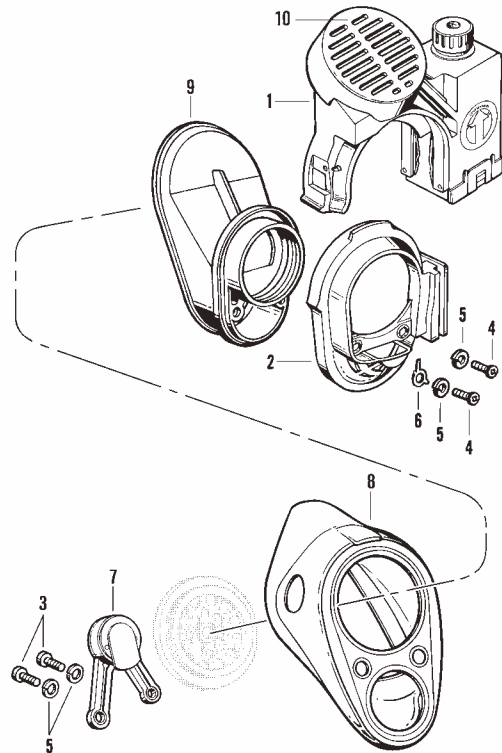
³ The TwentyTwenty RCS/SmallTalk Kit includes the complete 962300 TwentyTwenty RCS Kit and the 962311 SmallTalk Module.

NOTE: Radio interface cables are not shown. Refer to the SCBA Top Level price list for radio interface cable descriptions and pricing.

Classic™ Facepiece Radio Communication System



SmallTalk® Voice Projection Unit for Classic Facepiece



Part	Description	Price
961600	Classic Facepiece Radio Communication System	1130.00
961609	Classic Facepiece Mask-Mounted Push-to-Talk Radio Communication System	555.00
1	961610 Amplifier Assy. (Used on 961600 only)	695.00
2	961624 Mask Cable Assy. (Used on 961600 only)	392.00
3	961620 Adapter Assy. (w/o PTT button; used on 961600 only)	211.00
	961629 Adapter Assy. (w/PTT button; used on 961609 only)	235.00
4	839515 Screw, 6-32 x 0.50 ¹	0.90
5	846012 #6 Lock Washer ¹	0.90
6	961640 Microphone ¹	120.00
7	839517 Screw, 6-32 x 0.25 ¹	0.90
8	A961630 Speaker Assy. ¹	187.50
9	² Radio Interface Cable	

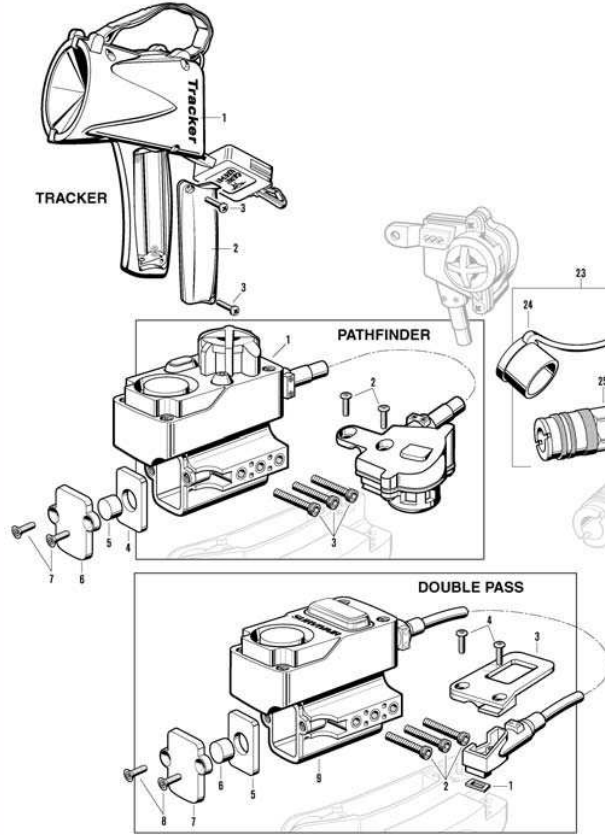
Part	Description	Price
961608	SmallTalk Voice Projection Unit for Classic Facepiece, Standard Nose Cup	500.00
961623	SmallTalk Voice Projection Unit for Classic Facepiece, Standard Nose Cup	500.00
961607	SmallTalk Facepiece Modification Kit, Standard Nose Cup (Excludes #1, Amplifier)	250.00
961622	SmallTalk Facepiece Modification Kit, Large Nose Cup (Excludes #1, Amplifier)	250.00
961606	MARK 2 Modification Kit, NFPA	62.00
961688	MARK 2 Modification Kit, Industrial	62.00
1	A961638 SmallTalk Amplifier	250.00
2	961628 SmallTalk Nozzle Cover	135.00
3	832015 Screw, 6-32 x 0.38	1.50
4	839515 Screw, 6-32 x 0.50	0.90
5	846012 Lock Washer	0.90
6	961409 Locking Pawl	4.40
7	961794 Microphone	148.00
	961642 Microphone (Discontinued 12/97)	
	961649 Microphone Boot Retainer (Discontinued 12/97)	18.00
	839517 Screw, 6-32 x 0.25 (Used with Microphone P/N 961642)	0.90
8	961627 Modified Nose Cup, Standard	33.60
	961633 Modified Nose Cup, Large	65.00
9	961625 Nozzle Assembly (Incl. #'s 11, 12, 13, 14, 15, 16)	42.00
10	963055 Replacement Speaker Grill	12.00
11	957306 O-ring (2 req.) (Not Shown)	0.90
12	961635 Standoff (2 req.) (Not Shown)	2.80
13	961645 Microphone Conductor (2 req.) (Not Shown)	10.00
14	846012 Lock Washer (2 req.) (Not Shown)	0.90
15	839517 Screw (2 req.) (Not Shown)	0.90
16	961634 Nozzle (Not Shown)	13.40

Legend

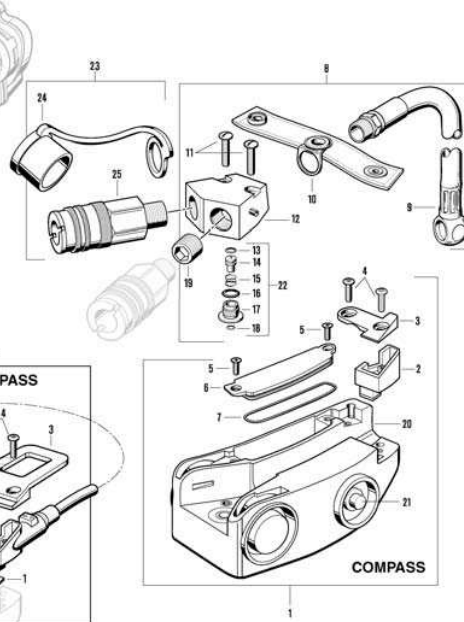
¹ Included in both the 961600 and 961609 kits.

² See the SCBA Top Level price list for radio interface cable descriptions and pricing.

DoublePASS™ Remote PASS Alarm Module



COMPASS™ Integrated PASS Device



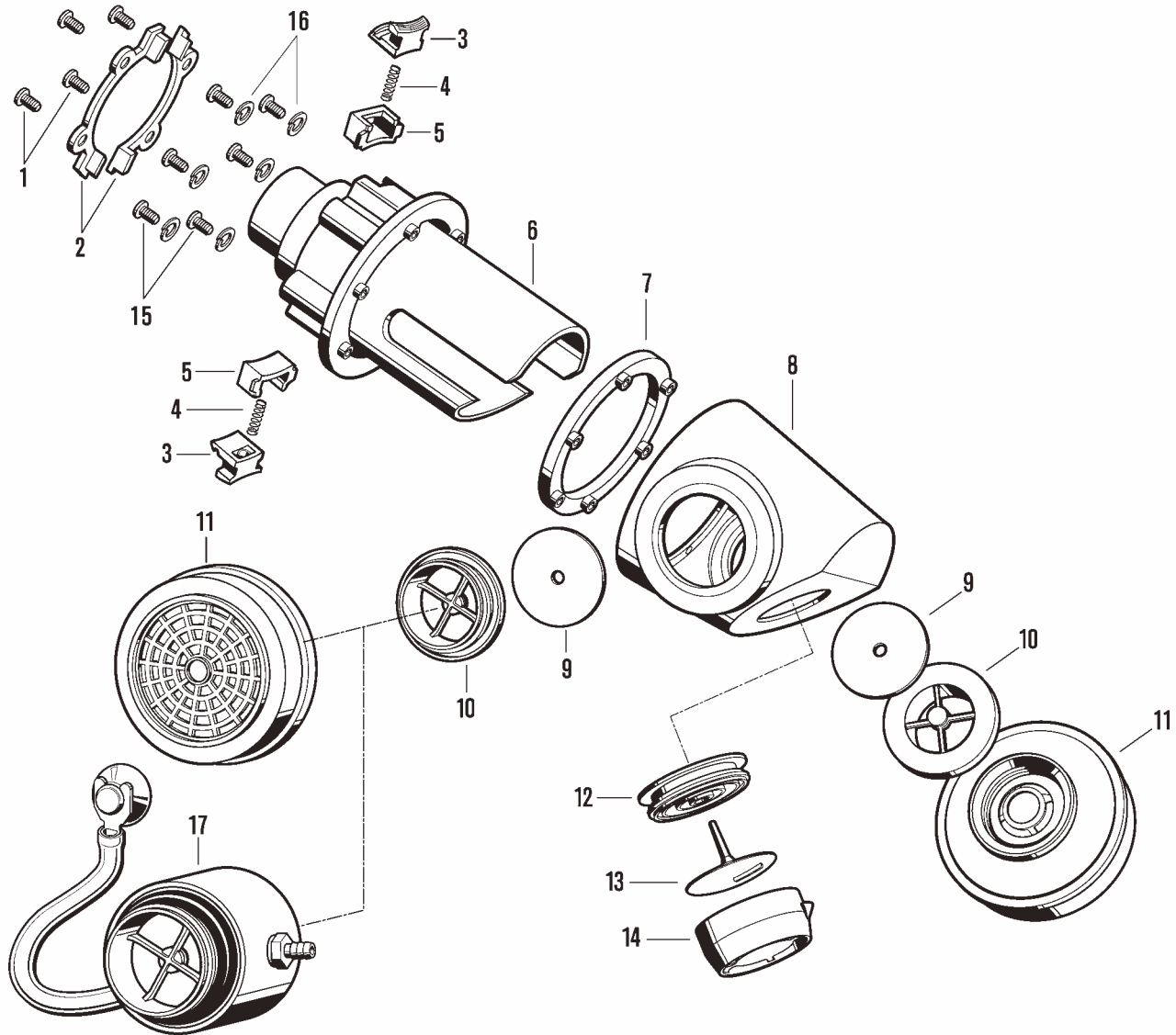
Part	Description	Price
962600	COMPASS™ Integrated PASS Kit	500.00
962600H	COMPASS™ Integrated PASS Kit with ThermAlert Heat Alarm	550.00
1	962601 COMPASS Integrated PASS Module (Incl. #'s 2 - 7, 20 & 21)	425.00
	962941 COMPASS Integrated PASS Module with ThermAlert Heat Alarm	475.00
2	962623 Base, Remote Sounder Socket w/Gasket	5.40
3	962604 Cover, Remote Sounder Socket (Use with Classic Backpack and HUD units)	5.10
	962607 COMPASS Support (Use with MightyLight Backpack w/o HUD)	2.50
4	839531 Screw, Remote Sounder Socket (2 req.)	0.90
5	830028 Screw, Phillips Head, Battery Door (2 req.)	0.90
	962642 Screw, Pin-in-Head, Battery Cover (2 req.) (Discontinued)	1.50
6	962661 Battery Door	5.40
7	962662 Battery Door Gasket	10.10
8	962640 COMPASS Pneumatic Assembly (Incl. #'s 9 - 18)	140.00
9	962680 Intermediate Pressure Hose Assy.	22.00
10	968971 Strap Assy. (Dual Snap Style, Not Shown)	6.00
	962690 Strap Assy. (Single Snap Style, Discontinued)	
11	839529 Screw (2 req.)	1.50
12	962677 Manifold Block w/Pins	63.00
13	825000 O-ring	1.50
14	962673 Piston	5.30
15	962675 Spring	1.50
16	825001 O-ring	1.50
17	962672 Retainer	11.40
18	826000 O-ring	3.50
19	962678 Plug, Brass (Not Shown)	4.40
20	962610 Case Assy.	409.00
21	962614 Boot, Panic Switch	12.70
22	962660 COMPASS Manifold Block Overhaul Assembly	29.00
23	962820 Kit, COMPASS Buddy Breather ¹	67.00
24	960694 Cap, Buddy Breather ¹	7.10
25	961143 Coupling ¹	60.00
	962683 Kit, COMPASS Support (Incl. P/N 962607 (Not Shown))	4.00
	962850 Kit, COMPASS Air Line Adapter (Not Shown) ¹	83.00

Part	Description	Price
	961802 SAR Hose Assy. (Not Shown) ¹	53.30
	961803 Belt Loop Assy. (Not Shown) ¹	8.40
	962854 Check Valve (Not Shown) ¹	28.00
962700	DoublePASS Remote Alarm Module Kit	295.00
1	962750 Connector Gasket	2.10
2	839530 Screw (3 req. when used with 964814 or 964805 Hose Retainer Block)	0.90
	833018 Screw (3 req. when used with any HUD Sensing Module)	1.40
3	962604 Cover, Remote Sounder Socket (Use with Classic Backpack Units, MightyLight NFPA 2002, or CBRN Units)	5.10
	962607 COMPASS Support (Use with MightyLight 1997 NFPA Units)	2.50
4	962643 Screw, Remote Sounder Socket (2 req.)	1.50
5	962713 Battery Door Seal	1.90
6	962663 Battery Door Spacer	10.10
7	962712 Battery Door	18.50
8	830028 Battery Door Screw (2 req.)	0.90
9	962701 DoublePASS Remote Alarm Module	265.00
10	962707 Hose Retainer (Not Shown)	5.40
962000	Pathfinder Upgrade Kit without Activated DoublePASS	400.00
962001	Pathfinder Upgrade Kit with Activated DoublePASS	650.00
1	962002 Pathfinder Module without Activated DoublePASS (not shown)	375.00
	962003 Pathfinder Module with Activated DoublePASS	625.00
2	839531 Screw, Remote Sounder Socket (2 req.)	0.90
3	833018 Screw, (3 required when using any HUD Sensing Module)	1.40
4	962713 Battery Door Seal	1.90
5	962663 Battery Door Spacer	10.10
6	962712 Battery Door	18.50
7	830028 Battery Door Screw (2 req.)	0.90
961999	Tracker Kit with Carry Case	1,500.00
1	962218 Tracker	1,150.00
2	962169 Battery Door	50.00
3	962172 Battery Door Screw (2 req.)	2.00

Legend

¹ Not included with basic assembly.

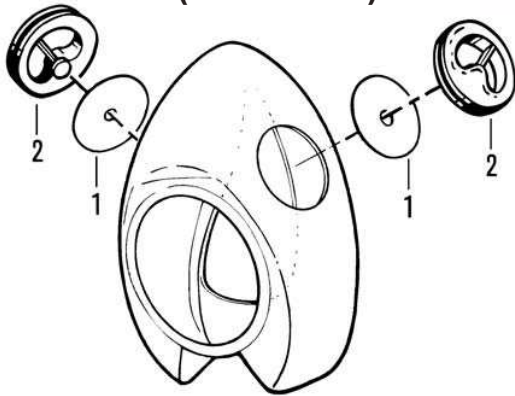
**Panther®/SIGMA/Cougar™/OMEGA/LO-PRO®/SECOBA
APR Adapter/Qualitative Fit Test Adapter and
Quantitative Fit Test Adapter**



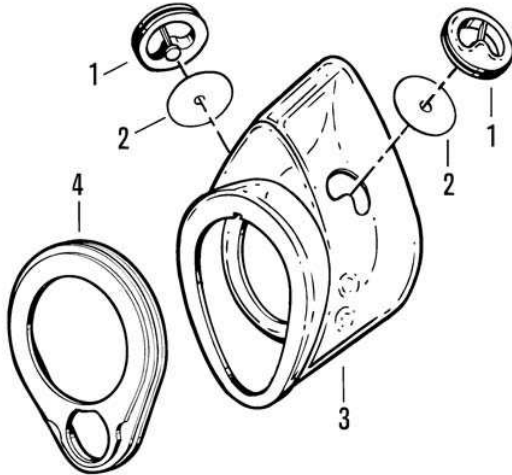
Part	Description	Price	Part	Description	Price
962900	Kit, APR Adapter, Includes No Nose Cup¹	99.00	11	105005 or Multi-Contaminant/P100 105810 P100 (P/N 105005, P100 Shown) ²	3
962911	Kit, APR Adapter, TwentyTwenty, Includes Standard Nose Cup w/Slot	109.00	12	B260019 Exhalation Valve Seat	1.50
962912	Kit, APR Adapter, Classic, Includes Standard Nose Cup	109.00	13	B140005 Exhalation Valve	11.00
962913	Kit, APR Adapter, Classic, Includes Large Nose Cup	109.00	14	B260018 Exhalation Valve Cover	1.50
1	830026 Screw (4 req.)	0.90	15	836032 Screw (6 req.)	0.90
2	962903 AIR KLIC Retainer (2 req.)	2.40	16	846012 Lock Washer (6 req.)	0.90
3	960991 AIR KLIC Button (2 req.)	1.20	17	962920 Quantitative Fit Test Adapter (This adapter MUST be used for quantitative fit testing.) (Not included in basic assembly)	65.00
4	961784 Spring (2 req.)	0.90	18	962144 Nose Cup, Standard, Slotted, TwentyTwenty (Not Shown)	13.40
5	961006 Retainer (2 req.)	2.50		962922 Nose Cup, Standard, Slotted, Classic (Not Shown)	27.00
6	962901 APR Adapter Body	3.80		962923 Nose Cup, Large, Slotted, Classic (Not Shown)	27.00
7	962904 Nose Cone Retainer	2.20			
8	962902 Nose Cone	27.20			
9	B140001 Inhalation Valve (2 req.)	3.90			
10	B140002 Threaded Connector (2 req.)	2.00			

Legend
¹ For use on TwentyTwenty Facepiece with either large nose cup or standard nose cup with slot.
² NIOSH approval is only for these filter and cartridge/filter combinations.
³ See current APR Price List for cartridge and filter pricing.

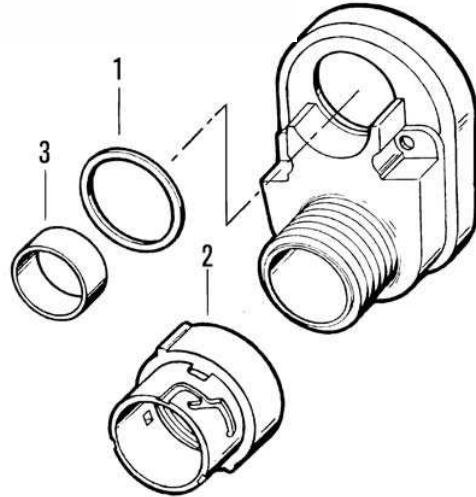
**Nose Cup Kit, MARK 2 Facepiece
(9840, 9842, 9860, & 9870)
Required below 32°F
(Discontinued)**



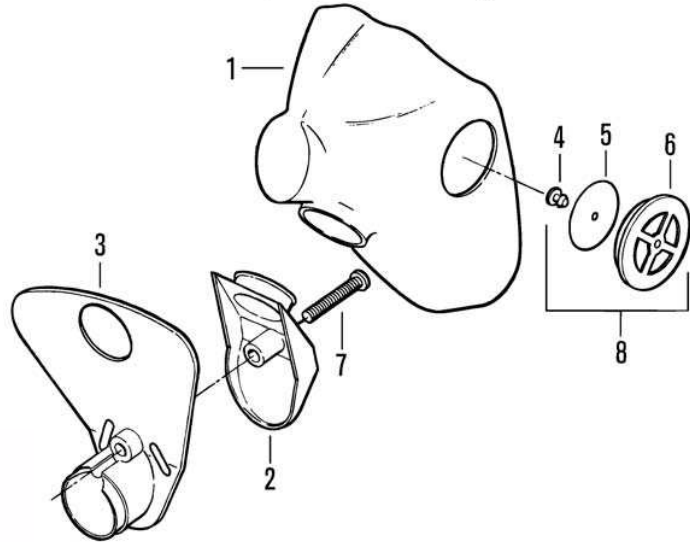
**Nose Cup Kit, MARK 2 Facepiece
and 4000 Series APR Facepiece
(9840, 9842, 9860, & 9870)
Required below 32°F**



**MARK 2 Storage Adapter Kit
(9840, 9842, 9860, 9870)
(Discontinued)**



**Nose Cup Kit, MARK 1, XL, & S Facepieces
(9038, 9838, 9845, 9846, 9848)
Required below 32°F
(Discontinued)**



Part	Description	Price
980017 Nose Cup Kit, MARK 2 (Discontinued)		
1	941708 Valve Holder (2 req.)	1.50
2	941707 Valve (2 req.)	2.40
980005 MARK 2 Mask Storage Adapter Kit 40.00		
1	980052 Washer, Sealing	3.70
2	980077 Adapter, Quick Connect, Standard (Black)	4.30
	941880 Adapter, Quick Connect, NFPA (Red) ¹	5.30
3	980084 Hose Insert	1.60
4	941727 Grill & Holder ¹	51.00
420117 Nose Cup Kit, MARK 2 and 4000 Series APR 26.80		
1	962090 Valve Holder (2 req.)	1.60
2	962080 Valve (2 req.)	2.40
3	962140 Nose Cup, Standard	13.00
4	420111 Adapter Plate	3.90

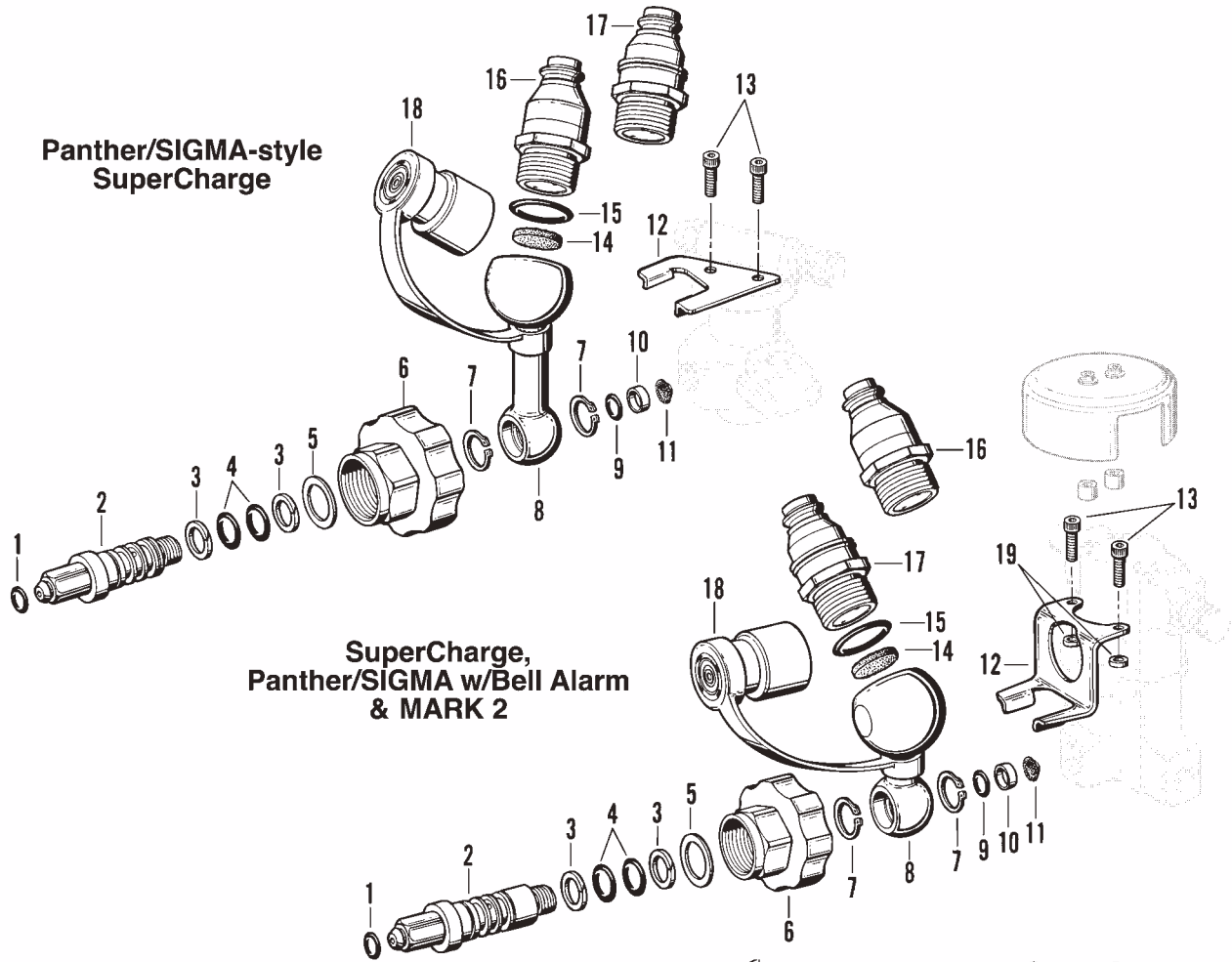
Part	Description	Price
941330 Nose Cup Kit, MARK 1, XL, S Series, 3000 Series APR 62.00		
1	941331 Nose Cup	48.20
2	940124 Mount	3.40
3	941109 Deflector	12.90
4	940139 Valve Disc Retainer	2.40
5	940140 Valve Disc	2.20
6	940132 Valve Seat	3.00
7	955807 Screw	1.30
8	940177 Valve Assy. (Incl. #'s 4 - 6)	6.10

Legend

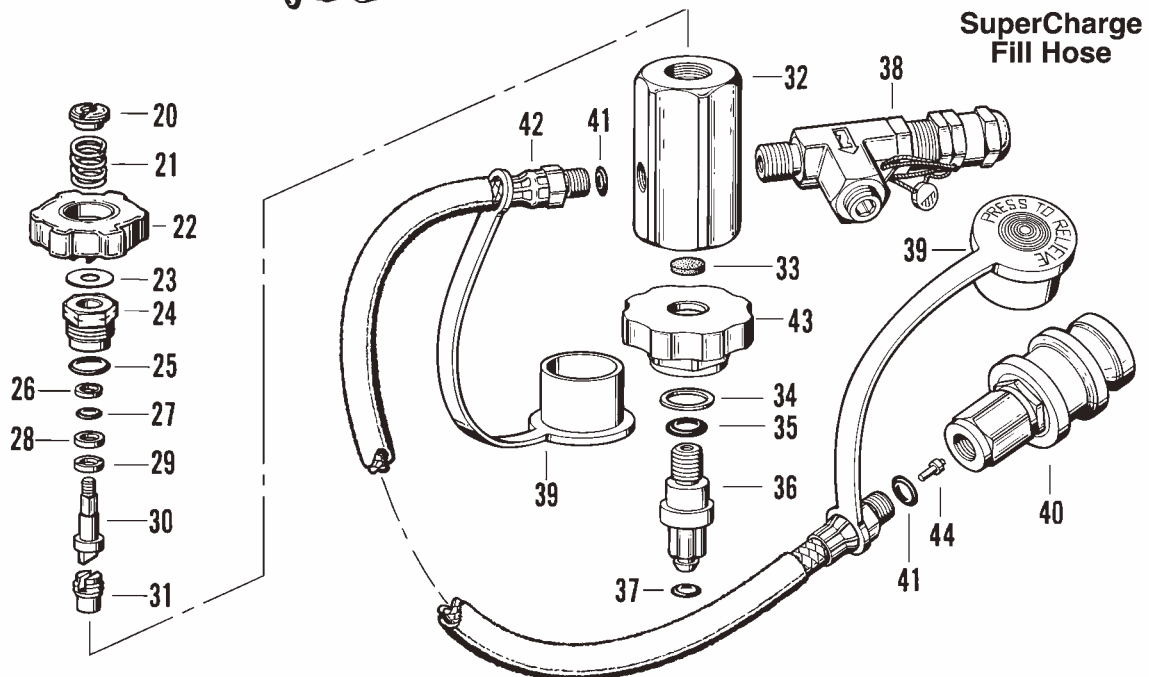
¹ Parts with "F" stamped on them are used in SCBAs originally compliant with NFPA 1981, 1997 Edition.

SuperCharge® Assemblies

Panther/SIGMA-style SuperCharge



SuperCharge, Panther/SIGMA w/Bell Alarm & MARK 2



SuperCharge Fill Hose

SuperCharge® Assemblies

Part	Description	Price
961529¹	Panther-style SuperCharge, H.P.	560.00
961531¹	Panther-style SuperCharge, L.P.	610.00
²	SuperCharge, Panther w/MARK 2-style Bell Alarm and MARK 2, H.P.	485.00
²	SuperCharge, Panther w/MARK 2-style Bell Alarm and MARK 2, L.P.	535.00
1	95721010 O-ring (Pkg. of 10)	9.00
2	961506 Nipple, H.P.	210.00
	961507 Nipple, L.P.	210.00
3	828013 Backup Ring	2.40
4	820019 O-ring	1.50
5	930132 Bearing Washer	1.50
6	961277 Handwheel, H.P.	16.50
	961314 Handwheel, L.P.	16.50
7	860056 Retaining Ring	1.90
8	961426 Housing (Used on 961529 & 961531)	230.00
	961505 Housing (Used on 961537 & 961538)	230.00
9	95702410 O-ring (Pkg. of 10)	9.00
10	910022 Filter Retainer	1.90
11	910032 Filter Screen	0.90
12	² Bracket (Used on 961529 & 961531)	44.00
	961536 Bracket (Used on 961537 & 961538)	19.40
13	839119 Screw (Used on 961529 & 961531)	0.90
	839113 Screw (Used on 961537 & 961538 Bell Alarms)	0.90
14	961482 Filter	3.00
15	957040 O-ring	4.50
16	961483 Male Coupling, H.P.	298.00
17	961484 Male Coupling, L.P.	340.00
18	961534 Male Dust Cap Assy.	50.00
19	961541 Spacer (Used on 961537 & 961538)	5.70
	961438 SuperCharge Fill Hose, Handwheel and Nipple, 2216 psig, 4 foot	1004.00
	961546 SuperCharge Fill Hose, Handwheel and Nipple, 2216 psig, 10 foot	1082.00
	961549 SuperCharge Fill Hose, Handwheel and Nipple, 2216 psig, 20 foot	1164.00
	961439 SuperCharge Fill Hose, Handwheel and Nipple, 3000 psig, 4 foot	1004.00
	961547 SuperCharge Fill Hose, Handwheel and Nipple, 3000 psig, 10 foot	1082.00
	961562 SuperCharge Fill Hose, Handwheel and Nipple, 3000 psig, 20 foot	1164.00
	961441 SuperCharge Fill Hose, Handwheel and Nipple, 4500 psig, 4 foot	984.00
	961548 SuperCharge Fill Hose, Handwheel and Nipple, 4500 psig, 10 foot	1061.00
	961563 SuperCharge Fill Hose, Handwheel and Nipple, 4500 psig, 20 foot	1143.00

Part	Description	Price
20	052518 Nut, Handwheel	2.70
21	050107 Spring	1.60
22	975038 Handwheel	7.10
23	845058 Washer	0.90
24	921015 Bonnet	6.70
25	82401310 O-ring (Pkg. of 10)	9.00
26	828510 Backup Ring	1.50
27	82401210 O-ring (Pkg. of 10)	9.00
28	921018 Washer	1.50
29	921019 Washer	3.40
30	052521 Stem	17.00
31	921014 Seat	8.70
32	961435 Purge Valve Body	179.00
33	961183 Pressure Inlet Fitting	1.50
34	930132 Bearing Washer	1.50
35	95702410 O-ring (Pkg. of 10)	9.00
36	961112 Nipple, L.P. (Used on 2216 & 3000 psig SCBAs)	24.20
	961113 Nipple, H.P. (Used on 4500 psig SCBAs)	24.20
37	95721010 O-ring (Pkg. of 10)	9.00
38	961890 Relief Valve Kit, 2216 psig	355.00
	961891 Relief Valve Kit, 3000 psig	355.00
	961892 Relief Valve Kit, 4500 psig	355.00
39	961442 Dust Cap	18.40
40	961443 Female Coupling, H.P. (Used on 4500 psig SCBAs)	265.00
	961444 Female Coupling, L.P. (Used on 2216 & 3000 psig SCBAs)	316.00
41	957034 O-ring	1.50
42	961279 Hose, 4 foot	235.00
	961288 Hose, 10 foot	311.00
	961297 Hose, 20 foot	396.00
43	961277 Handwheel, H.P.	16.50
	961314 Handwheel, L.P.	16.50
44	961412 Piston, Directional Flow Control	20.90
45	961774 SuperCharge Fill Hose Adapter for CGA Inlet Fitting, Low Pressure (3000 psig), Male-to-Male, Red (Not Shown)	139.00
	961779 SuperCharge Fill Hose Adapter for CGA Inlet Fitting, High Pressure (6000 psig), Male-to-Male, Green (Not Shown)	180.00

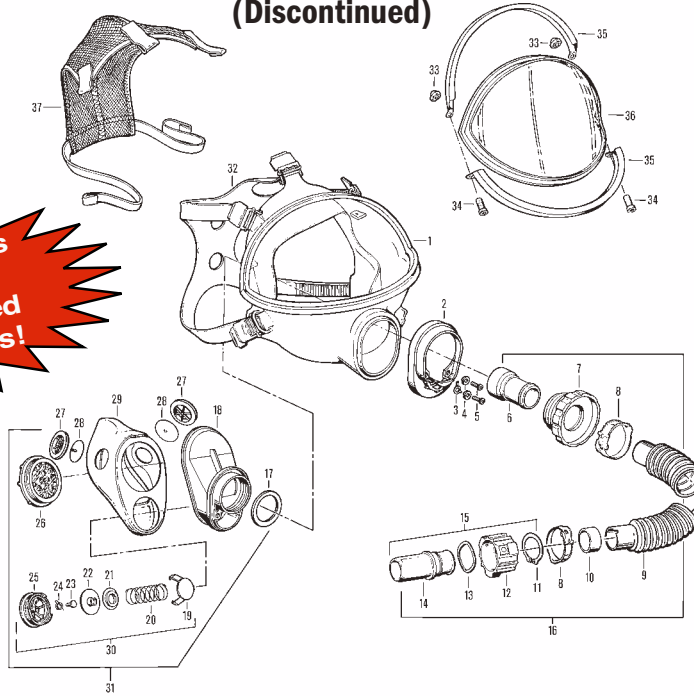
Legend

¹ Compatible with bell, plain whistle, and warbling whistle first stage regulator without RIC UAC shown on pages 23 and 24. Older style regulators must be upgraded prior to installing these SuperCharge Kits.

² No longer available.

MARK 2-Style SCBA Facepiece with SIGMA Nozzle 9426 (Discontinued)

Airworks Sells
New and
Reconditioned
Mark 2 Masks!



Part	Description	Price
942606	Facepiece and Hose Assy., Classic Style for MARK 2, Standard, Blue	330.00
942611	Facepiece and Hose Assy., Classic Style for MARK 2, Small, Blue	330.00
942616	Facepiece and Hose Assy., Classic Style for MARK 2, Standard, Black	330.00
942621	Facepiece and Hose Assy., Classic Style for MARK 2, Small, Black	330.00
1	Z961091 Skirt Assy., Standard, Blue (Incl. #'s 32, 33, 34, 35, 36, 38)	113.00
	961097 Skirt Assy., Small, Blue (Incl. #'s 32, 33, 34, 35, 36, 38)	113.00
	968422 Skirt Assy., Standard, Black (Incl. #'s 32, 33, 34, 35, 36, 38)	113.00
	3 Skirt Assy., Small, Black (Incl. #'s 32, 33, 34, 35, 36, 38)	
2	961068 Cover	7.80
3	961095 Locking Pawl	4.40
4	846012 Lock Washer (2 req.)	0.90
5	832015 Screw (2 req.)	1.50
6	941819 Hose Coupler, NFPA	22.20
	941821 Hose Coupler, Industrial	7.10
7	941817 Ratchet Ring	15.20
8	941732 Hose Clamp (2 req.)	2.50
9	941820 Hose, MARK 2, NFPA, Notched, w/o Sleeves	19.70
	925101 Hose, XL, NFPA	19.70
10	980084 Hose Insert (NFPA Hose Only) ¹	1.60
11	861076 Retaining Ring	2.80
12	941879 Pin and Nut Assy., NFPA (Red) ¹	12.90
	941779 Pin and Nut Assy., Industrial (Black)	11.80
13	980075 Wave Spring Washer	2.30
14	980074 Sleeve Coupling	6.70
15	941872 Sleeve Assy., NFPA (Red) ¹	27.40
	980072 Sleeve Assy., Industrial (Black)	26.70
16	941805 MARK 2 Hose Assy., Industrial	60.60
	941806 MARK 2 Hose Assy., NFPA ¹	60.60
	3 XL Hose Assy., Industrial	
	3 XL Hose Assy., NFPA	
17	961088 Gasket	2.00
18	961080 Nozzle	16.70
19	961079 Spring Retainer	3.60
20	961078 Spring	4.00
21	961077 Plate	1.40
22	961076 Exhalation Valve	6.10
23	961072 Stem	1.40
24	961073 Spring	1.40
25	961071 Body	3.70
26	941759 Speaking Diaphragm	14.10

Part	Description	Price
27	941708 Valve Holder (2 req.)	1.50
28	941707 Valve (2 req.)	2.40
29	961083 Nose Cup, Standard	30.30
	961127 Nose Cup, Large	30.30
30	961070 Exhalation Valve Assy.	21.50
31	Z961065 Nozzle Assy.	96.00
32	968409 Headstrap, NFPA, Black	40.40
	961094 Headstrap, OMEGA/SECOBA	41.20
33	940106 Nut (2 req.)	1.20
34	839101 Screw (2 req.)	1.50
35	941275 Rim, Metal (2 req.)	12.60
36	941265 Lens, NFPA ²	33.10
37	961710 Headnet, Standard Facepiece	70.00
	3 Headnet, Small Facepiece	
38	961661 Skirt w/Buckles, Standard, Blue	57.60
	961656 Skirt w/Buckles, Small, Blue	57.60
	961662 Skirt w/Buckles, Standard, Black	57.60
	961660 Skirt w/Buckles, Small, Black	57.60

Legend

¹ Parts with "F" stamped on them are used in SCBAs originally compliant with NFPA 1981, 1997 Edition. Notched hose is used in SCBAs originally compliant with NFPA 1981, 1997 Edition.

² Lenses stamped with "97" were compliant with NFPA 1981, 1997 Edition.

³ No longer available.

NOTE: XL NFPA components were NOT compliant to NFPA 1981, 1997 Edition.

FIT TESTING

QUALITATIVE

Use P/N 980500 MARK 2/XL Fit Test Adapter; or use P/N 410010 small, 4-point headstrap facepiece or P/N 420010 standard 4-point headstrap facepiece. For saccharin, Bitrex, or smoke tubes, use P/N 105005 P100 filters. For isoamyl acetate (IAA) or "banana oil," use P/N 100100 organic vapor cartridges.

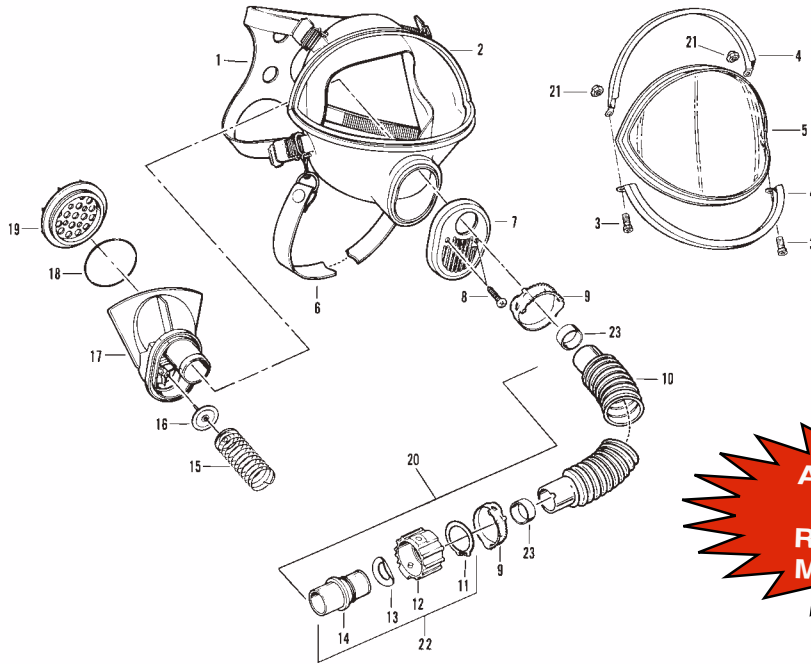
QUANTITATIVE

Use P/N 980500 MARK 2/XL Fit Test Adapter with P/N 941899 probed lens and P/N 105005 P100 filters.

or

Use the P/N 410099 small, probed, 4-point headstrap surrogate facepiece with P/N 105005 P100 filters, or P/N 420099 standard, probed, 4-point headstrap surrogate facepiece with P/N 105005 P100 filters.

**MARK 2/XL SCBA Facepiece & Hose Assys., Standard & Small Size & NFPA
(9840, 9842, 9848, 9860, & 9870)
(Discontinued)**



**Airworks Sells
New and
Reconditioned
Mark 2 Masks!**

Part	Description	Price
941200	Facepiece/Hose, MARK 2 NFPA	250.00
941700	Facepiece/Hose, MARK 2 Industrial	250.00
941540	Facepiece/Hose, Small, MARK 2 Industrial	250.00
941550	Facepiece/Hose, Small, MARK 2 NFPA	250.00
1	Facepiece/Hose, XL NFPA	
1	Facepiece/Hose, Small, XL NFPA	
1	941823 Headstrap, Black ²	41.80
	941723 Headstrap, Industrial	44.40
2	Z941720 Skirt Assy.	90.90
	941427 Skirt Assy., Small	90.90
3	839101 Screw, Metal Rim (2 req.)	1.50
4	941275 Metal Rim (2 req.)	12.60
5	1 Lens, NFPA ³	
	1 Lens, Industrial	
6	940167 Strap Assy., Nylon	10.40
	940172 Strap Assy., NFPA ²	12.00
7	941740 Nozzle Cover ²	6.70
8	955805 Screws (2 req.)	1.50
9	941732 Hose Clamp (2 req.)	2.50
10	941731 Hose, MARK 2 Industrial	22.80
	941820 Hose, MARK 2 NFPA, notched, w/out sleeves ²	19.70
	925101 Hose, XL-30 NFPA, notched, w/out sleeves ²	19.70
11	861076 Retaining Ring	2.80
12	941779 Pin & Nut Assy., Industrial (Black)	11.80
	941879 Pin & Nut Assy., NFPA (Red) ²	12.90
13	980075 Wave Spring Washer	2.30
14	980074 Sleeve Coupling	6.70
15	941729 Spring	8.10
16	941741 Exhalation Valve	12.90
17	980082 Nozzle Assembly	31.60
18	820031 O-ring	0.90
19	941759 Speaking Diaphragm	14.10
20	980073 Hose Assy., MARK 2 Industrial	39.80
	941873 Hose Assy., MARK 2 NFPA	39.80
	1 Hose, XL NFPA	
21	940106 Nut, Metal Rim (2 req.)	1.20
22	980072 Sleeve Assy., Industrial (Black)	26.70
	941872 Sleeve Assy., NFPA (Red)	27.40
23	980084 Hose Insert - NFPA Hose only (2 req.)	1.60

Part	Description	Price
940118	Protective Bag (Not Shown)	6.10
1	Metal Rim Kit (Incl. #'s 3, 4, 21)	
941899	Probed Lens Kit (Not Shown)	52.90
980295	Hose Kit, MARK 2 Industrial Facepiece, for Use on: XL-30/60/S-30, MARK 1	60.60
980500	MARK 2 Fit Test Adapter w/P100 Filter (Not Shown)	87.80
980418	Panther Nozzle Kit, NFPA, Standard Nose Cup, for Use w/MARK 2 Second Stage Regulator	87.00
980419	Panther Nozzle Kit, NFPA, Large Nose Cup, for Use w/MARK 2 Second Stage Regulator	87.00
980420	Panther Nozzle Kit, Industrial, Standard Nose Cup, for Use w/MARK 2 Second Stage Regulator	87.00
1	Panther Nozzle Kit, Industrial, Large Nose Cup, for Use w/MARK 2 Second Stage Regulator	
980426	Panther Nozzle Kit, Standard Nose Cup, for Use w/Panther/SIGMA Second Stage Regulator	87.00
1	Panther Nozzle Kit, Large Nose Cup, for Use w/Panther/SIGMA Second Stage Regulator	

Legend

¹ No longer available.

² Parts with "F" stamped on them are used in SCBAs originally compliant with NFPA 1981, 1997 Edition. Notched hose is used in SCBAs originally compliant with NFPA 1981, 1997 Edition.

³ Lenses stamped with "97" were compliant with NFPA 1981, 1997 Edition.

NOTE: XL NFPA components were NOT compliant to NFPA 1981, 1997 Edition.

FIT TESTING

QUALITATIVE

Use P/N 980500 MARK 2/XL Fit Test Adapter; or use P/N 410010 small, 4-point headstrap facepiece or P/N 420010 standard 4-point headstrap facepiece. For saccharin, Bitrex, or smoke tubes, use P/N 105005 P100 filters. For isoamyl acetate (IAA) or "banana oil," use P/N 100100 organic vapor cartridges.

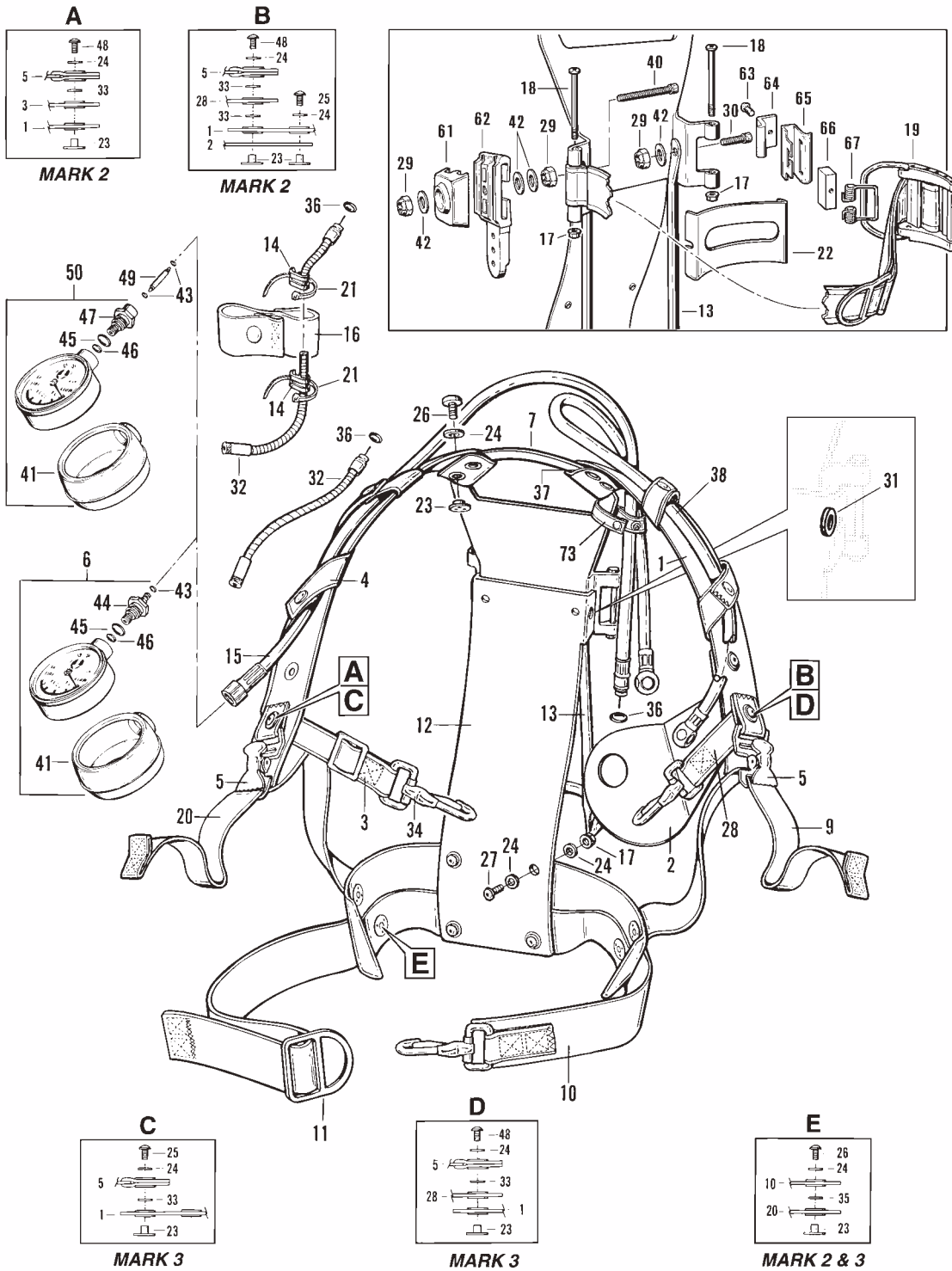
QUANTITATIVE

Use P/N 980500 MARK 2/XL Fit Test Adapter with P/N 941899 probed lens and P/N 105005 P100 filters.

or

Use the P/N 410099 small, probed, 4-point headstrap surrogate facepiece with P/N 105005 P100 filters, or P/N 420099 standard, probed, 4-point headstrap surrogate facepiece with P/N 105005 P100 filters.

**MARK 2/MARK 3 SCBA Backpack
(9840, 9842, 9860, & 9870)
(Discontinued)**



MARK 2/MARK 3 SCBA Backpack (9840, 9842, 9860, & 9870) (Discontinued)

Part	Description	Price
942200	MARK 2 Backpack, High-Temp, Silver	435.00
1	MARK 3 Backpack, High Temp, Silver	
1	Z961270 Shoulder Strap, L.H. or R.H., Silver (OTS) ²	83.80
1	Shoulder Strap, L.H., Nylon	
2	941651 Mounting Plate (MARK 2 only)	11.20
3	942225 Chest Strap, Silver (MARK 2 only) (Incl. #34)	22.90
1	Chest Strap, Nylon	
4	Z961270 Shoulder Strap, R.H. or L.H., Silver (same as #1)	83.80
1	Shoulder Strap, R.H., Nylon	
5	942220 Buckle, Silver	17.30
1	941668 Buckle, Nylon w/Small Strap	14.30
6	980545 Shoulder Gauge Kit, L.P. (use w/980612 hose) ³	78.60
1	980546 Shoulder Gauge Kit, H.P. (use w/980612 hose) ³	78.60
1	980601 Shoulder Gauge, L.P. (use w/980612 hose) ³ (Discontinued)	78.60
1	980602 Shoulder Gauge, H.P. (use w/980612 hose) ³ (Discontinued)	81.00
7	961202 Support Plate	28.50
1	Support Plate (Discontinued) (Not Shown)	
8	941653 Latch Assy. (Discontinued) (Not Shown)	27.80
9	Z942215 Harness Adjustment Strap, L.H., Silver (same as #20)	30.70
1	Harness Adjustment Strap, L.H., Blue	
1	Harness Adjustment Strap, L.H., Nylon	
10	942201 MARK 2 Waist Strap Assy., Silver (Incl. #'s 9, 20)	172.00
1	MARK 2 Waist Strap Assy., Nylon (Incl. #'s 9, 20)	
1	MARK 3 Waist Strap (Incl. #'s 9, 20)	
11	1 D-ring	
12	945050 Back Plate	28.80
13	946023 Tank Bracket	23.50
14	910075 Retainer (4 req.) ⁴	2.60
15	980618 Gauge Hose, Rubber, 37" (use w/swivel gauge) ⁴	65.00
1	980612 Gauge Hose, Rubber, 37" ⁴ (Discontinued)	76.30
1	Gauge Hose, Metal, 34"	
1	980063 Gauge Hose (use with all configurations)	58.80
16	1 Strap, Hose Retainer, Silver	
1	Strap, Hose Retainer, Blue	
1	Strap, Hose Retainer, Nylon	
17	941683 Lock Nut	2.20
18	941695 Screw, Tank Band	9.60
19	Z980122 Tank Band, Nomex/Kevlar	59.80
1	941654 Tank Band, Stainless Steel (Discontinued) (Not Shown)	14.30
20	Z942215 Harness Adjustment Strap, R.H., Silver (same as #9)	30.70
1	Harness Adjustment Strap, R.H., Nylon	
21	104913 Strap Clamp, 6", White, NFPA (use with OTS metal gauge hose) ⁴	1.50
1	104916 Strap Clamp, 6", Black (use with OTS metal gauge hose) ⁴	1.50
22	1 Tank Band Guide	
23	941952 Weld Nut	1.50
24	845057 Washer	0.90
25	839518 Screw	0.90
26	839510 Screw	0.90
27	839513 Screw	1.50
28	945111 Mask Hanger Strap	7.90
29	852030 Lock Nut	0.90
30	831514 Screw (use with Nomex/Kevlar Tank Band) (Installed from Support Plate Side)	4.10
1	832506 Screw (use with Stainless Steel Tank Band) (Installed from Tank Band Guide Side)	1.50
31	845058 Washer, Nylon (2 req.)	0.90
32	1 Gauge Hose, Metal, 11"	
1	Gauge Hose, Metal, 8"	
33	847010 Star Washer	0.90
34	942221 Chest Strap Snap, Large, Silver (MARK 2 only)	17.30
35	845051 Washer	0.90
36	824007 O-ring	1.50
37	1 Shoulder Strap Wear Plate (w/kits only) (Not Shown)	
38	910670 MARK 2 OTS Intermediate Pressure Hose, 35" ⁴	40.90
1	961140 MARK 3 OTS Hose Assy. (Not Shown)	95.70
39	961247 T-12 Hose Bracket (OTS) (Discontinued) (Not Shown)	6.70

Part	Description	Price
40	831513 Screw (use with Hose Retainer Block)	4.30
1	832504 Screw (T-12 Clamp) (Discontinued)	1.90
41	980604 Gauge Boot, Black ⁴	9.50
1	980625 Gauge Boot, Red, L.P. ⁴	9.50
1	980626 Gauge Boot, Green, H.P. ⁴	9.50
42	845099 Washer (3 req.)	0.90
43	82004610 O-ring (Pkg. of 10)	15.00
44	980627 Gauge Stem	9.50
45	820011 O-ring	0.90
46	820007 O-ring	0.90
47	980633 Swivel Adapter	8.20
48	839519 Screw	0.90
49	961151 Air Spool without O-rings	29.70
1	961122 Air Spool with O-rings	31.80
50	980641 Shoulder Gauge, H.P. (use w/980618 rubber swivel hose) (Does not include #49)	78.80
1	980642 Shoulder Gauge, L.P. (use w/980618 rubber swivel hose) (Does not include #49)	78.80
1	Gauge, Numerical, 4500 psig w/Green Boot for MARK 3/SIGMA w/Bell Alarm	
1	Gauge, Numerical, 2216 psig w/Red Boot for MARK 3/SIGMA w/Bell Alarm	
51	1 Shoulder Strap Assy., L.H., MARK 2 (Not Shown) (Incl. #'s 1, 2, 5, 28, & Detail B)	
1	Shoulder Strap Assy., L.H., MARK 3 (Not Shown) (Incl. #'s 1, 5, 28, & Detail D)	
52	1 Shoulder Strap Assy., R.H., MARK 2 (Not Shown) (Incl. #'s 3, 4, 5, & Detail A)	
1	Shoulder Strap Assy., R.H., MARK 3 (Not Shown) (Incl. #'s 4, 5, & Detail C)	
53	961243 Over-pressure Sleeve (MARK 3 only) (Not Shown)	3.80
54	975243 Regulator Receiver, Modified (MARK 3 only) (Not Shown)	46.60
55	961242 Valve (MARK 3 only) (Not Shown)	0.90
56	961241 Push-in Fastener (MARK 3 only) (Not Shown)	1.40
57	82013110 O-ring (MARK 3 only) (Pkg. of 10) (Not Shown)	15.00
58	961299 Receiver Cover, Gray (MARK 3 only) (Not Shown)	19.20
59	975242 Slider, Receiver (MARK 3 only) (Not Shown)	11.30
60	961240 Regulator Receiver Assy. (MARK 3 only) (Not Shown)	60.60
61	964810 Hose Retainer Clamp	6.00
62	964805 Hose Retainer Block	4.30
63	831510 Screw	1.50
64	980119 Mounting Bracket	7.10
65	964442 Tank Band Catch	4.10
66	980121 Spacer	6.60
67	964474 Tank Band Spring	5.90
68	961764 I.P. Hose Retainer Kit ³	7.00
KITS		
984400	MARK 3 Upgrade Kit	730.00
1	OTS Intermediate Pressure Hose Kit	
942290	NFPA Strap Conversion Kit	321.00
1	Strap Kit, Nylon	
910608	Shoulder Gauge Kit w/Rubber Hose, Shoulder Strap, Swivel, L.P. (37")	198.00
910644	Shoulder Gauge Kit w/Rubber Hose, Shoulder Strap, Swivel, H.P. (37")	198.00
980635	Swivel Hose Kit, L.P., w/Shoulder Gauge, No Strap	150.00
980636	Swivel Hose Kit, H.P., w/Shoulder Gauge, No Strap	150.00
980634	Swivel Hose Conversion Kit w/o Shoulder Gauge (Add two #29, one ea. #'s 39, 40, 42)	99.00
980201	Kit, Tank Band (Replaces 1-piece Band and Ratchet)	103.00
1	Cylinder Band Kit (Discontinued)	
1	MARK 2 Cylinder Band Logo (Not Shown)	
995656	MARK 3 Cylinder Band Logo (Not Shown)	8.60

Legend

¹ No longer available.

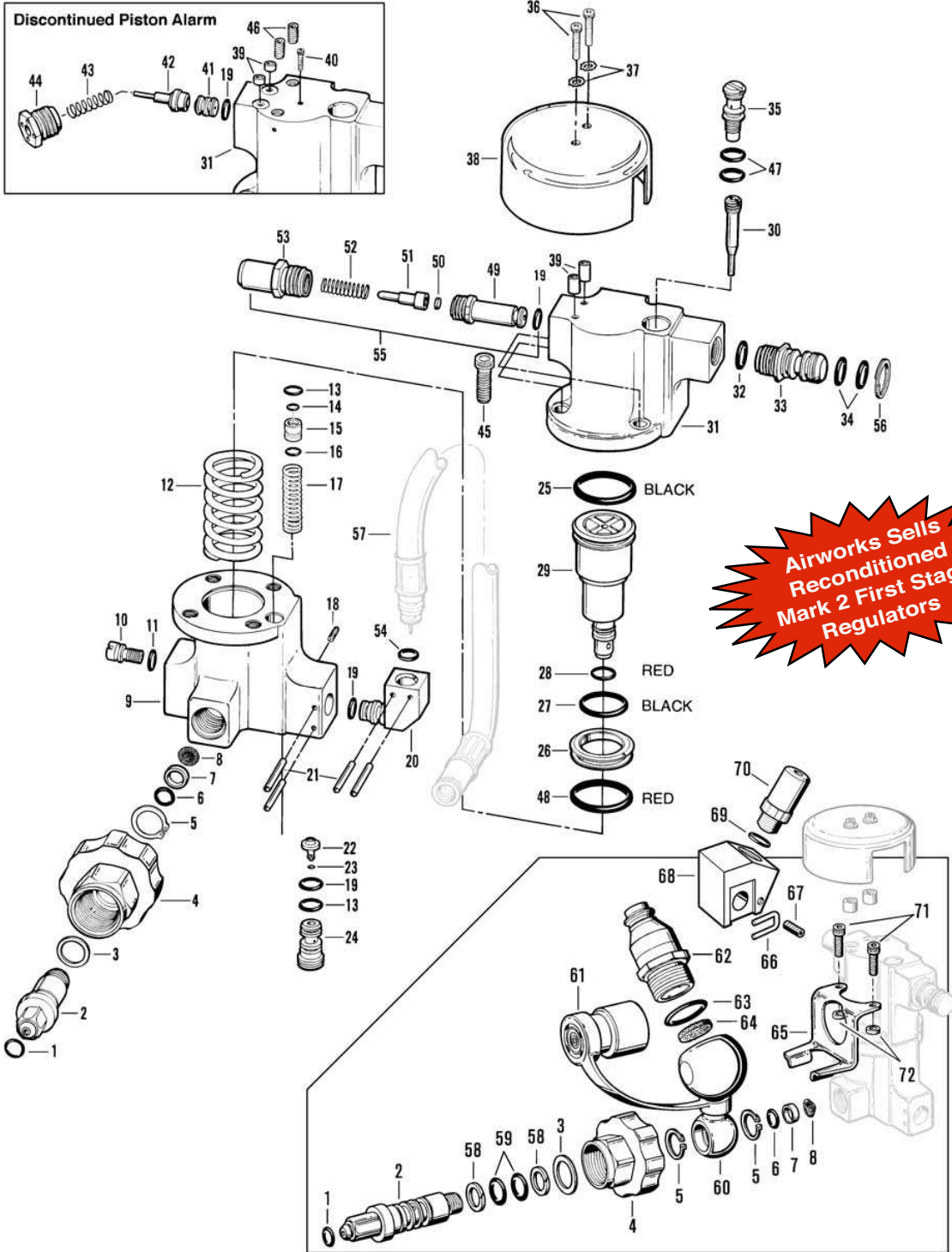
² For use with all over-the-shoulder (OTS) rubber hoses.

³ Not included with basic assembly.

⁴ Parts with "F" stamped on them are used in SCBAs originally compliant with NFPA 1981, 1997 Edition. White Strap Clamp is used in SCBAs originally compliant with NFPA 1981, 1997 Edition.

NOTE: Silver NFPA straps are approved for use on all versions of the MARK 2 Backpack.

**MARK 2/MARK 3/Panther® and SIGMA w/Bell Alarm
 First Stage Regulator Assembly
 910001 & 910099
 (9840, 9842, 9860, & 9870)
 (9640, 9642, 9660, & 9670)**



**MARK 2/MARK 3/Panther® and SIGMA w/Bell Alarm
First Stage Regulator Assembly
910001 & 910099
(9840, 9842, 9860, & 9870)
(9640, 9642, 9660, & 9670)**

Part	Description	Price
910001	MARK 2 First Stage (H.P.)	523.00
910099	MARK 2 First Stage (L.P.)	523.00
968821	MARK 2 First Stage (H.P. 4.5K with RIC/UAC)	1,280.00
968822	MARK 2 First Stage (L.P. 2.2K with RIC/UAC)	1,280.00
968823	MARK 2 First Stage (L.P. 3.0K with RIC/UAC)	1,280.00
1	95721010 O-ring (Pkg. of 10)	9.00
2	910016 Inlet Nipple, H.P.	24.30
	960678 Inlet Nipple, L.P.	21.40
	961506 Inlet Nipple, H.P., UAC	210.00
	961507 Inlet Nipple, L.P., UAC	210.00
3	930132 Bearing	1.50
4	961277 Handwheel, H.P., Green	16.50
	961111 Handwheel, H.P., Green (Discontinued 3/98)	11.30
	961314 Handwheel, L.P., Red	16.50
	961110 Handwheel, L.P., Red (Discontinued 3/98)	11.30
5	860056 Retaining Ring	1.90
6	95702410 O-ring (Pkg. of 10)	9.00
7	910022 Filter Retainer	1.90
8	910032 Filter	0.90
9	910002 Lower Body	103.00
10	910040 Plug	3.40
11	957306 O-ring	0.90
12	910034 Mainspring	12.10
13	957309 O-ring (2 req.)	0.90
14	824402 O-ring	2.40
15	910027 Gland	10.00
16	82440110 O-ring (Pkg. of 10)	24.00
17	910035 Alarm Spring (H.P.)	3.20
	910038 Alarm Spring (L.P.)	3.20
18	830901 Set Screw	2.40
19	95730810 O-ring (3 req.) (Pkg. of 10) ¹	9.00
20	910051 Adapter ²	69.00
21	959717 Pin (4 req.) ²	0.90
22	910028 Poppet	17.30
23	824016 O-ring	1.50
24	910041 Poppet Adjustment Plug, Unmarked	19.20
	910044 Poppet Adjustment Plug, 2216 psig	21.20
	910076 Poppet Adjustment Plug, 3000 psig	21.20
	910103 Poppet Adjustment Plug, 4500 psig	21.20
25	820039 ³ O-ring (1 req.)	1.50
26	910031 Seal Ring	6.00
27	957316 O-ring	1.50
28	82401210 ³ O-ring (Pkg. of 10)	9.00
29	910067 Piston Assembly ^{4, 5}	113.00
30	910021 Adjuster Screw	10.00
31	910042 Body, Cartridge Alarm	120.00
	910073 Body, Piston Alarm	171.00
32	957025 O-ring	0.90
33	961117 Outlet Fitting	13.40

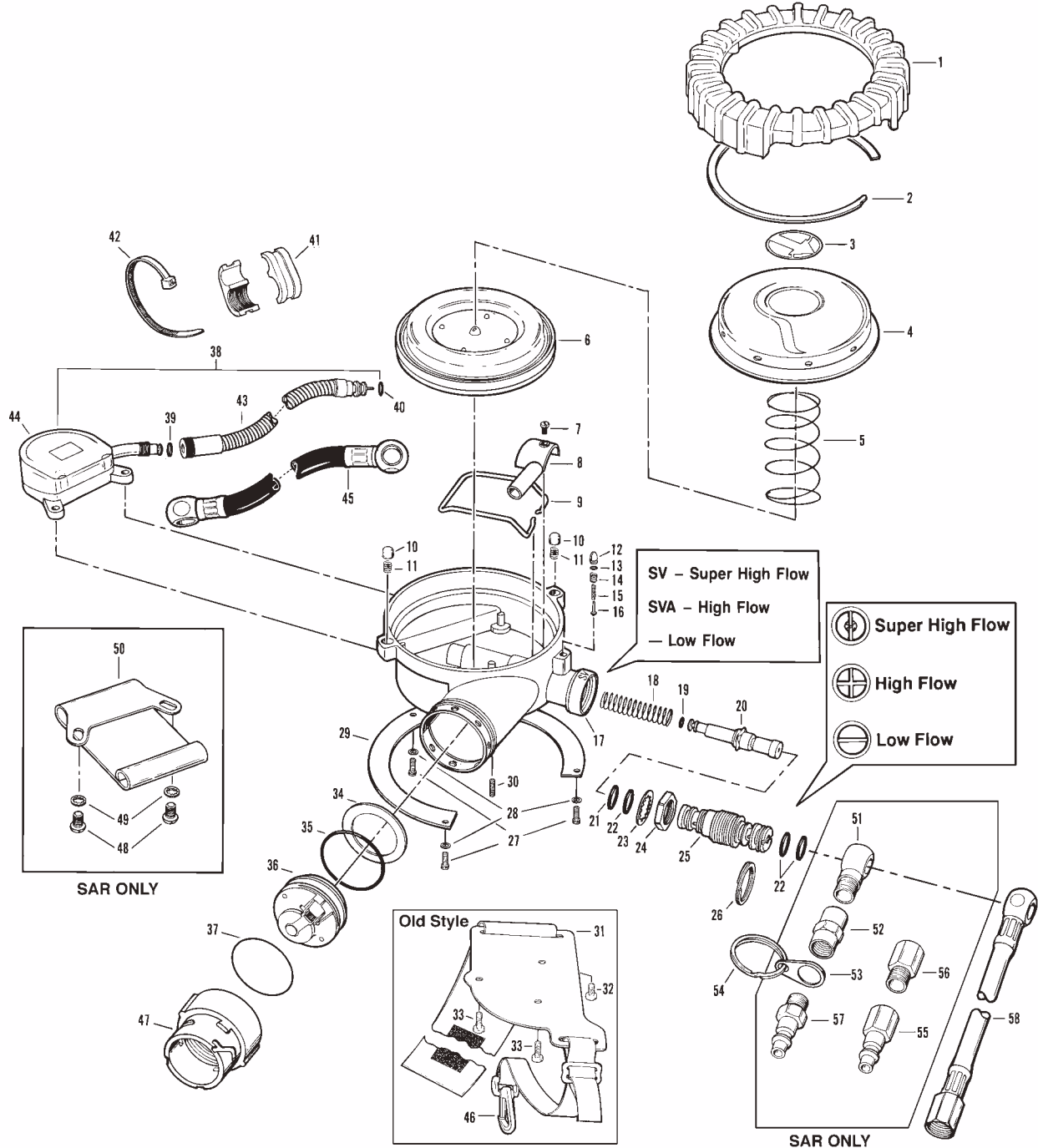
Part	Description	Price
34	95731210 O-ring (2 req.) (Pkg. of 10)	9.00
35	910023 Restrictor Assy.	23.60
36	955008 Screw (Phillips Head) (2 req.)	1.50
37	956602 Star Washer (2 req.)	0.90
38	911008 Alarm Bell, Cartridge	9.50
	910017 Alarm Bell, Piston Alarm (Not Shown)	9.50
39	910036 Spacer, Piston Alarm (2 req.)	1.80
	911009 Spacer, Cartridge Alarm (2 req.)	1.50
40	839103 Set Screw, Piston Alarm	1.50
41	910049 Alarm Seat, Piston Alarm	10.00
42	960636 Alarm Piston, Blue	12.90
43	960646 Spring, Piston Alarm	2.40
44	910048 Alarm Retainer, Piston Alarm	5.80
45	834027 Screw (4 req.)	1.50
46	835019 Screw, Piston Alarm (2 ea.)	4.70
47	957310 O-ring (2 req.)	0.90
48	82401410 O-ring (Pkg. of 10) (Silicone - Red)	9.00
49	911001 Seat, Alarm	16.40
50	911006 Seat, Piston	8.20
51	911002 Piston, Alarm	7.40
52	911007 Spring	2.40
53	911003 Retainer	14.30
54	824007 O-ring ²	1.50
	980016 Overhaul Kit (1st & 2nd stage) (Not Shown)	66.00
	910043 Piston Alarm Update Kit ⁶	47.00
	961565 Overhaul Kit (1st stage) (Not Shown)	42.00
55	911005 Cartridge Alarm Assembly, Replaces part #'s 19, 41, 42, 43, 44 ⁷	61.60
56	864150 Retaining Clip, Spiral Ring	1.90
57	980618 Gauge Hose, Rubber, 37" (use w/swivel gauge) (Discontinued)	65.00
	980063 Gauge Hose	58.80
58	828013 Back-up Ring (2 req.)	2.40
59	820019 O-ring (2 req.)	1.50
60	961505 UAC Housing	230.00
61	961534 Dust Cap Assembly, Male	50.00
62	961483 Male Coupling, High Pressure	298.00
63	957040 O-ring	4.50
64	961482 Filter	3.00
65	961536 Support Bracket	19.40
65	910078 Staple	1.50
67	835014 Set Screw	1.50
68	921038 Adapter, Relief Valve	98.00
69	957025 O-ring	0.90
70	968895 Relief Valve Assembly, 2216 psig (Incl. #69)	102.00
	968894 Relief Valve Assembly, 3000 psig (Incl. #69)	102.00
	968893 Relief Valve Assembly, 4500 psig (Incl. #69)	102.00
71	839113 Cap Screw (2 req.)	0.90
72	961541 Spacer (2 req.)	5.70

Legend

- ¹ O-ring on cartridge alarm is not an overhaul part.
- ² Not included with basic assembly.
- ³ O-rings may be ordered separately or are included with Piston Assy. (#29).
- ⁴ Service life limited to 6 years.
- ⁵ Rebuilt pistons available with trade-in for \$41.30.
- ⁶ Not included in Overhaul Kit P/N 980016—must be ordered separately.
- ⁷ Conversion to the Cartridge Alarm requires #'s 36 (x2), 37 (x2), 38, 39, & P/N 911005.

MARK 2 Second Stage Regulator Assembly 910693
(9840, 9842, 9860, & 9870)
SAR Regulator 910678 (9815, 9816)
MARK 2 HIP-PAC Regulator 910778 (9852)
(Discontinued)

**Airworks has
 Reconditioned
 2nd Stage Regulators
 Available**



**MARK 2 Second Stage Regulator Assembly 910693
(9840, 9842, 9860, & 9870)
SAR Regulator 910678 (9815, 9816)
MARK 2 HIP-PAC Regulator 910778 (9852)
(Discontinued)**

Part	Description	Price
910693	MARK 2 Second Stage Regulator, NFPA 30/60 Min., Super High Flow	380.00
910678	MARK 2 SAR Regulator w/o Bypass	380.00
1	MARK 2 5/10 Minute HIP-PAC Regulator w/Bypass and/or MARK 2 Second Stage w/o Gauge and Hose	
1	910607 Handwheel ²	19.70
	910677 Handwheel (SAR)	19.00
2	864001 Retaining Ring	2.70
3	995342 Decal	1.50
4	910603 Cover	10.40
5	910624 Spring	1.50
6	910604 Diaphragm	39.50
7	839505 Screw	1.50
8	¹ 910689 Clip, Black, SVA & Low Flow (use 910689)	
	910689 Clip, Red, SV (use only with 910681 lever)	4.10
9	¹ 910694 Lever, SVA & Low Flow	
	910694 Lever, Super High Flow, SV (use only with 910689 Red Clip)	26.10
10	910668 Detent (2 req.; SAR none)	2.20
11	106918 Spring (2 req.; SAR none)	2.10
12	910655 Poppet	2.50
13	824186 O-ring	0.90
14	910623 Outer Bypass Spring	5.40
15	910622 Inner Bypass Spring	5.40
16	910617 Valve (DO NOT lubricate)	19.70
17	^{1,3} 910690 ³ Housing, High Flow, SVA	
	910690 ³ Housing, Super High Flow, SV (NFPA)	131.50
	^{1,3} 910690 ³ Housing, Low Flow	
18	910420 Spring	7.00
19	824009 O-ring	0.90
20	910659 Piston, High Flow (Blue)	32.00
	¹ 910691 Piston, Low Flow (Silver)	
	910691 Piston, Super High Flow (Red) (use only with 910692 inlet)	32.00
21	824111 O-ring	0.90
22	95731210 O-ring (3 req.) (Pkg. of 10)	9.00
23	847009 Lock Washer	4.70
24	910615 Nut	2.20
25	910667 Inlet Fitting, High Flow	26.80
	910692 Inlet Fitting, Super High Flow (use only with 910691 Red Piston)	50.00
	910658 Inlet Fitting, Low Flow	26.80
26	864150 Retaining Ring ⁴	1.90
27	839103 Screw (3 req.)	1.50
28	956601 Washers (3 req.)	0.90
29	910621 Attaching Ring	8.70
	910651 Attaching Ring (SAR)	13.40
30	835014 Set Screw	1.50
31	945074 Mount Assembly ⁴	36.00
32	839504 Screw ⁴	1.50
33	839503 Screw (2 req.) ⁴	1.50
34	910620 Back-up Ring	2.00
35	820520 Quad Ring	2.40
36	910652 Valve Assembly	45.80
37	824140 O-ring	2.40

Part	Description	Price
38	910090 Gauge Assy., L.P. & Hose Assembly ⁴	234.00
	¹ 910090 Gauge Assy., H.P. & Hose Assembly ⁴	
39	820003 O-ring ⁴	0.90
40	824007 O-ring ⁴	1.50
41	910075 Retainer (2 req.) ^{2,4}	2.60
42	104913 Strap Clamp ^{2,4}	1.50
43	980655 Gauge Hose, 26", Rubber ⁴	72.50
	¹ 980655 Gauge Hose, 26", Metal ⁴	
44	910663 Gauge, H.P. ⁴	87.00
	910662 Gauge, L.P. ⁴	239.00
45	910647 Hose Assy., I.P. ^{2,4}	45.50
46	945078 Plastic Snap Hook ⁴	0.90
47	980077 Quick Connect Adapter, 2-pin (Black) ⁴	4.30
	941880 Quick Connect Adapter, NFPA (Red) ²	5.30
48	836013 Screw (2 req.; SAR) ⁴	1.50
49	847005 Washer (2 req.; SAR) ⁴	0.90
50	985007 Belt Clip (SAR) ⁴	8.20
51	985054 Banjo Fitting (SAR) ⁴	25.50
52	930553 Adapter (SAR, Brass) ⁴	2.40
	¹ 930553 Adapter (SAR, Nickel Plated Brass) ⁴	
53	985224 Tab (SAR) ⁴	2.25
54	980292 Ring (SAR) ⁴	0.90
55	930432 Foster Fitting (SAR) (Plug) ⁴	5.70
	930439 Schrader Fitting (SAR) (Plug) ⁴	9.80
	988193 Hansen Fitting (SAR) (Plug) ⁴	25.70
56	930555 Male/Female Connector	2.80
57	930429 Foster Fitting (Plug)	5.60
	930433 Schrader Fitting (Plug)	9.50
	930466 Hansen Fitting (Plug)	9.60
	985247 OBAC Fitting (Plug)	5.60
58	930558 Hose (SAR)	17.30
	985507 Hose Assy., MARK 2 HIP-PAC I.P. Hose, 5 & 10 minute	27.80
59	985031 Belt Assy. (Not Shown; SAR) ⁴	25.50
60	¹ 985031 Label, High Flow (Not Shown)	
61	980016 Overhaul Kit (1st & 2nd stage) (Not Shown)	66.00

Legend

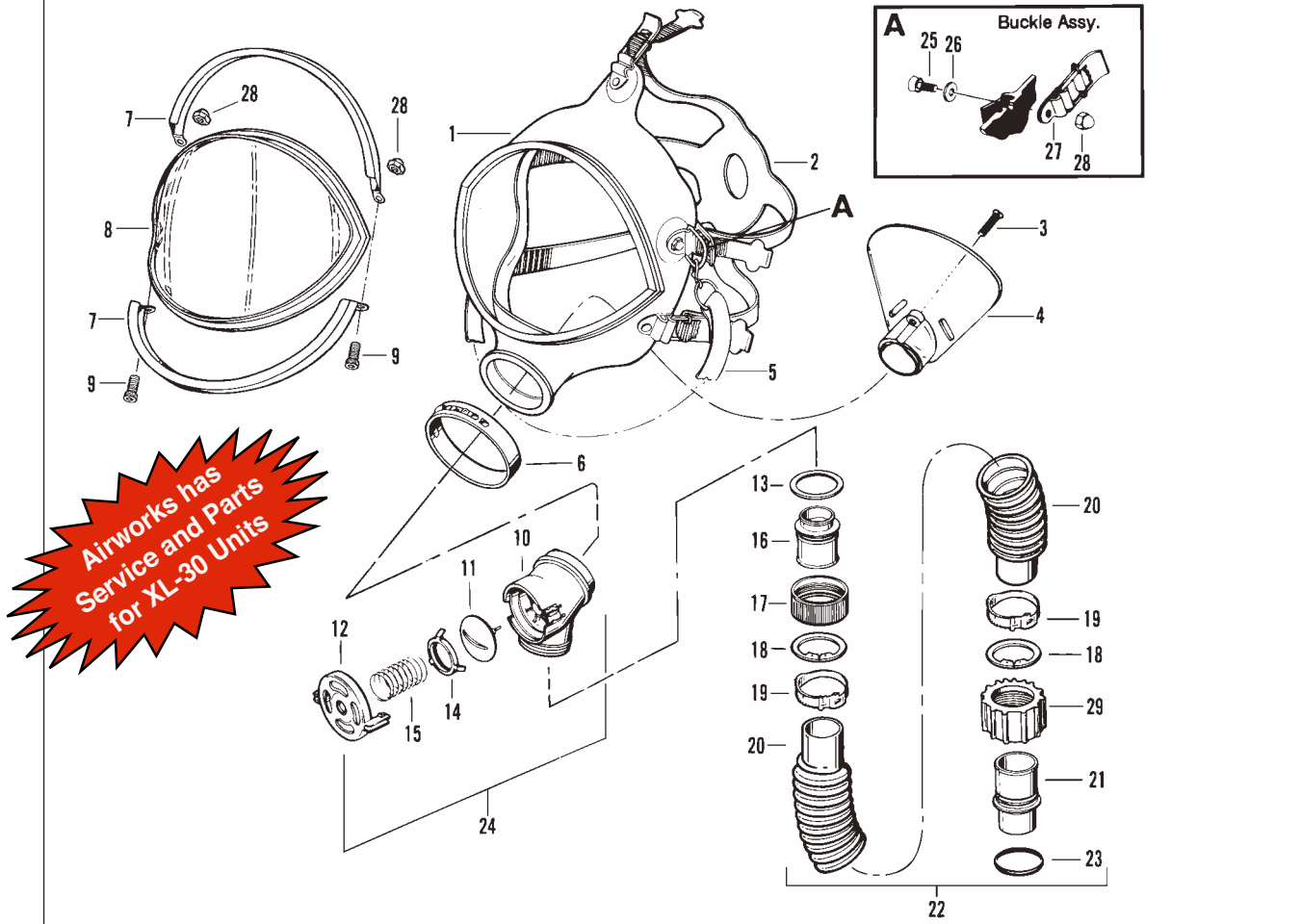
¹ No longer available

² Parts with "F" stamped on them are used in SCBAs originally compliant with NFPA 1981, 1997 Edition. White Strap Clamp is used in SCBAs originally compliant with NFPA 1981, 1997 Edition.

³ The Super High Flow Housing can be identified by the letters "SV" cast into the inlet shoulder. The High Flow Housing can be identified by the letters "SVA" cast into the inlet shoulder. The Low Flow Housing has no letters cast into the inlet shoulder.

⁴ Not included in basic assembly.

**Facepiece & Low Pressure Hose
For MARK 1, XL, & S Series SCBA (9838, 9845, 9846, 9848)
(Discontinued)**



Part	Description	Price
941877	Facepiece and Low Pressure Hose, MARK 1, XL, & S Series	230.00
1	941398 Skirt Assembly	116.40
2	941370 Headstrap	39.40
3	955806 Screw	1.30
4	941108 Deflector	10.00
5	940167 Neckstrap (Nylon)	10.40
	940172 Neckstrap (Nomex)	12.00
6	941317 Clamp	5.70
7	941275 Metal Rim (2 req.)	12.60
8	941265 Lens	33.10
9	839101 Socket Screw, Metal Rim	1.50
10	940127 Nozzle	8.10
11	940116 Exhalation Valve	6.10
12	940163 Nozzle Cover	5.20
13	845090 Flat Gasket	0.90
14	940171 Pad	7.20
15	940157 Spring	2.70
16	925102 Connector, Upper	10.10
17	925103 Nut, Metal	10.10
18	925104 Retaining Ring (2 req.)	3.25
19	941732 Clamp (2 req.)	2.50
20	925101 Hose	19.70
21	925201 Connector, Lower	14.50
22	925200 Hose Assy. (Incl. #'s 13, 16 - 21, 23)	107.00
23	820211 O-ring	1.00
24	941134 Nozzle Assy. (Incl. #'s 10 - 12, 14, 15)	39.50

Part	Description	Price
25	833017 Screw	1.40
26	941353 Washer	2.70
27	941114 Buckle w/D-ring	8.20
	941115 Buckle w/out D-ring (Not Shown)	3.40
28	940106 Cap Nut, Metal (2 req.)	1.20
29	925121 Nut, Plastic	10.60
	941640 Metal Rim Kit (Not Shown)	28.30
	941842 Facepiece Subassembly (Skirt, Lens, Rims, & Headstrap)	183.00
	940118 Protective Bag (Not Shown)	6.10
	940142 Nozzle Replacement Kit (Incl. #'s 6, 13, 24)	39.80

FIT TESTING

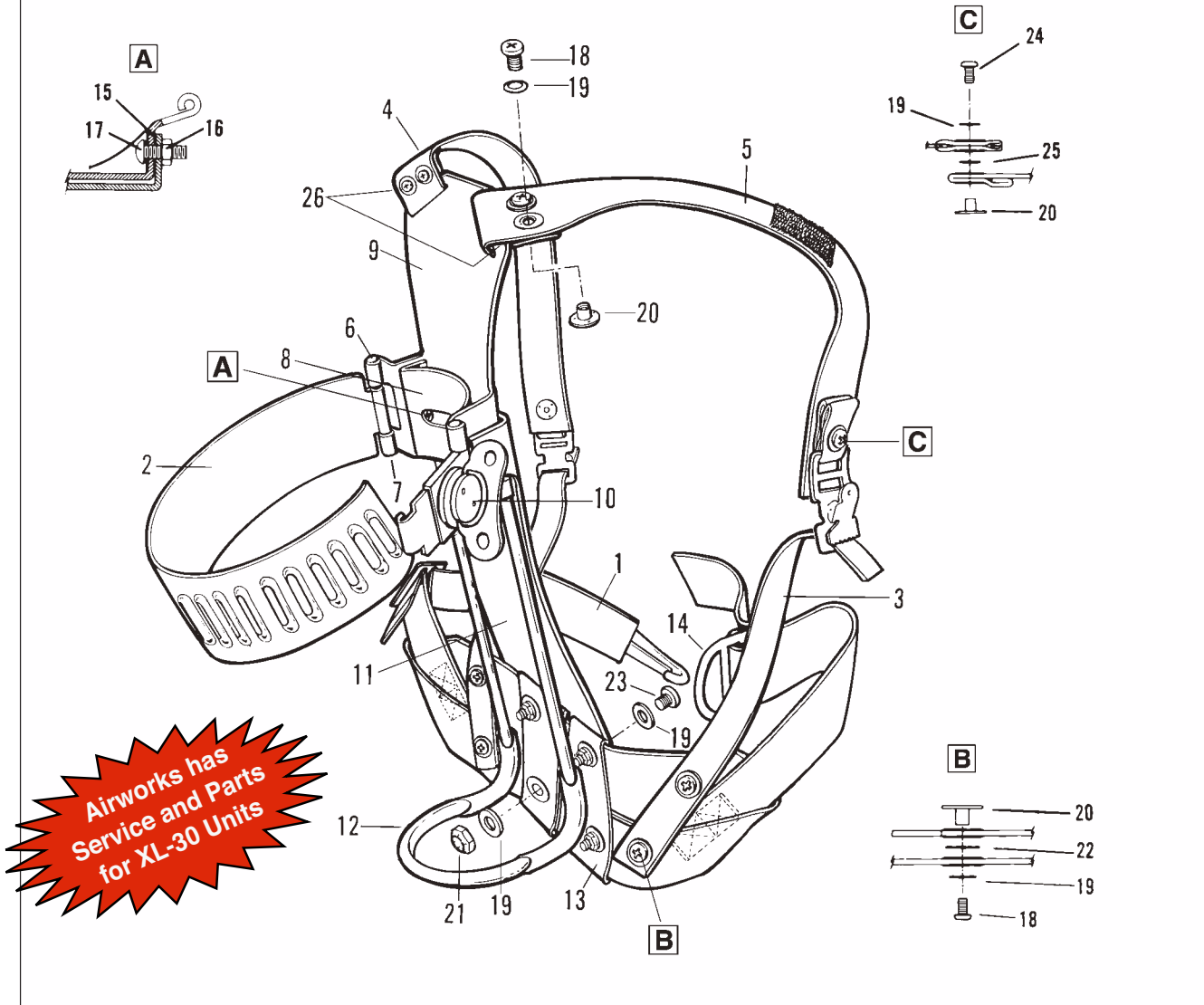
QUALITATIVE

Use P/N 980500 MARK 2/XL Fit Test Adapter; or use P/N B320099 probed facepiece. For saccharin, Bitrex, or smoke tubes, use P/N 105005 P100 filters. For isoamyl acetate (IAA) or "banana oil," use P/N 100100 organic vapor cartridges.

QUANTITATIVE

Use P/N B320099 probed facepiece and P/N 105005 P100 filters.

**XL®-30 Backpack (9848)
NFPA
(Discontinued)**



Part	Description	Price
1	XL-30 Backpack, Silver	
1	XL-30 NFPA Backpack, Blue	
1	XL-30 Industrial Backpack, Nylon	
1	1 Waisted Strap w/Snap-Blue	
1	1 Waisted Strap w/Snap-Silver	
945734	Waisted Strap w/Snap-Black	13.30
2	941654 Tank Band	14.30
3	1 Harness Adjustment Strap, Blue (2 req.)	
3	1 Harness Adjustment Strap, Silver (2 req.)	
4	1 Shoulder Strap Assy., L.H., Blue	
4	1 Shoulder Strap Assy., L.H., Silver	
5	1 Shoulder Strap Assy., R.H., Blue	
5	1 Shoulder Strap Assy., R.H., Silver	
6	941695 Screw	9.60
7	941683 Nut	2.20
8	1 Tank Band Guide	
9	1 Support Plate	
10	941653 Latch Assy.	27.80
11	945050 Back Plate	28.80

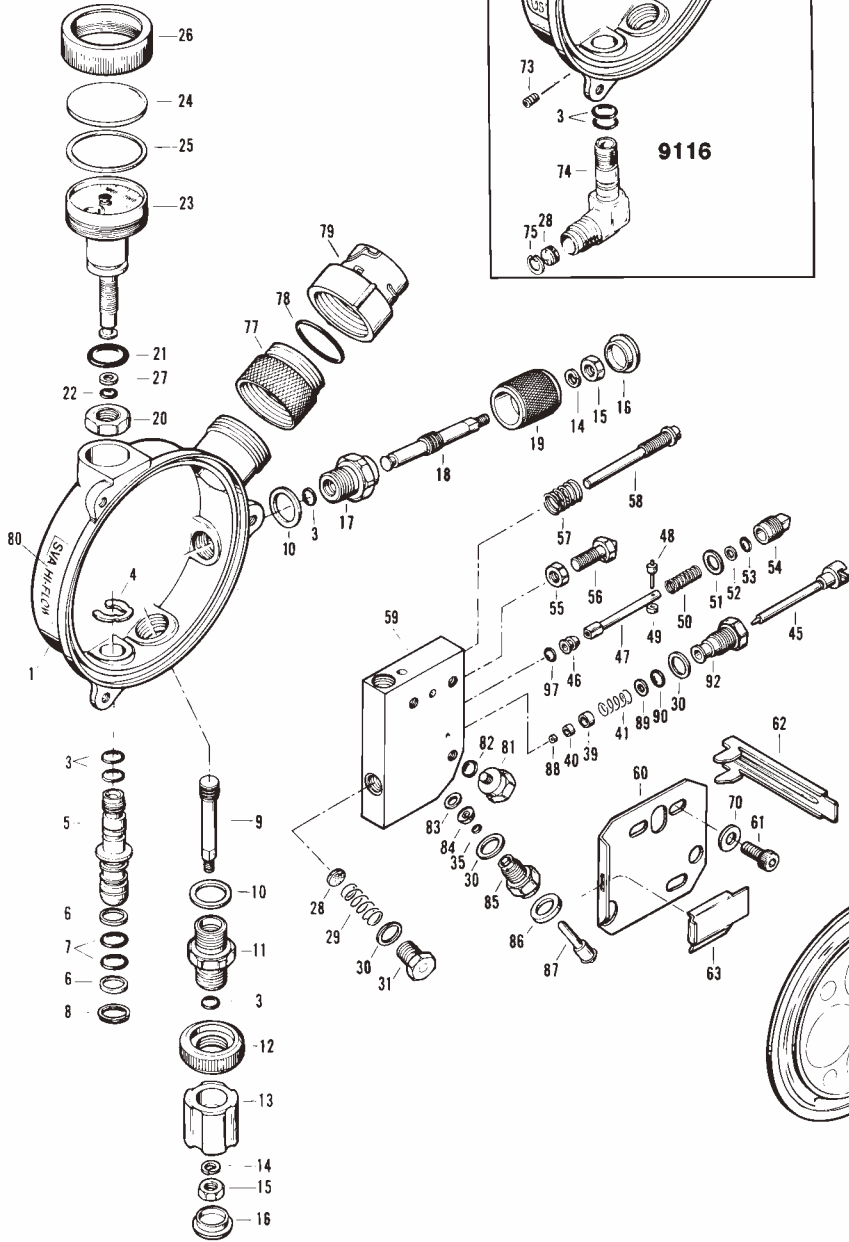
Part	Description	Price
12	946023 Tank Bracket	23.50
13	1 Waisted Strap Assy., Blue (Incl. #'s 3, 14)	
13	1 Waisted Strap Assy., Silver (Incl. #'s 3, 14)	
13	1 Waisted Strap Assy., Black	
14	941699 D-ring	8.70
15	845058 Washer, Nylon	0.90
16	852030 Lock Nut	0.90
17	1 Screw	
18	941696 Screw	1.50
19	845057 Washer	0.90
20	941952 Weldnut	1.50
21	941683 Nut	2.20
22	845051 Washer	0.90
23	839513 Screw	1.50
24	839514 Screw	1.50
25	847010 Star Washer	0.90
26	1 Shoulder Strap Wear Plate	

Legend

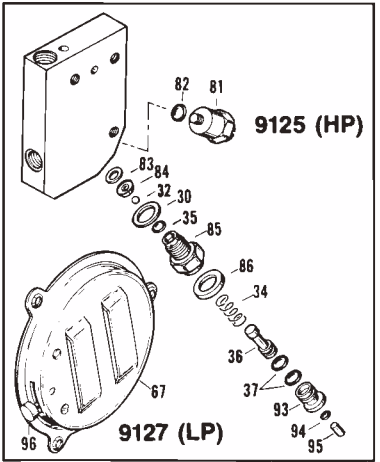
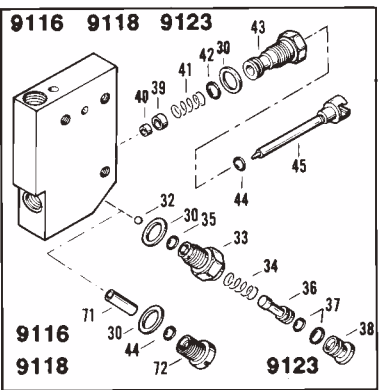
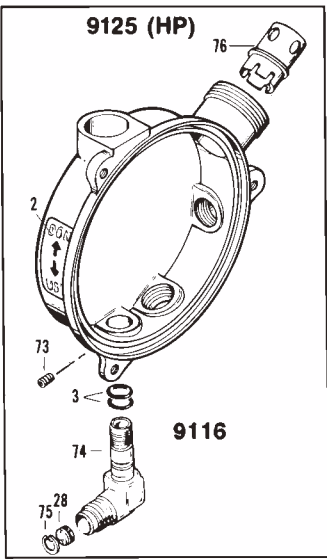
¹ No longer available.

XL® Regulator Assemblies 9116, 9118, 9123, 9125, 9127, 9135
(9038, 9838, 9845, 9846, 9848)
(Discontinued)

**Airworks has
 Service and Parts
 for XL-30 Units**



9135 (NFPA)



**XL® Regulator Assemblies 9116, 9118, 9123, 9125, 9127, 9135
(9038, 9838, 9845, 9846, 9848)
(Discontinued)**

Part	Description	Price
1	Pressure Demand Model 9135, NFPA	
1	Pressure Demand Model 9127, L.P.	
1	Models 9116, 9118, 9123, 9125, H.P.	
1	Case	
2	912598 Position Label (Don-Use)	4.00
3	957110 O-ring (4 req.)	0.90
4	911610 Clip Ring	8.70
5	1 Inlet Fitting (Replacement)	
6	957512 Back-up Ring (2 req.)	1.50
7	95731210 O-ring (2 req.) (Pkg. of 10)	9.00
8	864150 Retaining Ring	1.90
9	912529 Stem	8.10
10	911617 Gasket (2 req.)	2.70
11	1 Shutoff Bushing	
12	910121 Check Nut	13.30
13	910120 Handle	26.00
14	1 Lock Washer (2 req.)	
15	956006 Nut (2 req.)	1.30
16	910113 Cap, Rubber (2 req.) ²	4.40
1	Cap, Rubber (2 req.) (Originally compliant with NFPA 1981, 1987 Edition)	
17	1 Bushing	
18	910138 Stem	16.00
19	1 Handle	
20	956008 Nut	1.30
21	957133 O-ring	0.90
22	957206 O-ring	0.90
23	913540 L.P. Pressure Gauge (9127, 9135) (Incl. #'s 24, 25, 26)	100.00
1	H.P. Pressure Gauge (9125) (Incl. #'s 24, 25, 26)	
24	1 Lens	
25	911662 Gasket	2.70
26	911663 Bezel	17.70
27	828006 Back-up Ring	1.50
28	910141 Filter	4.40
29	1 Spring	
30	911613 Gasket (3 req.)	2.70
31	1 Plug (9125, 9127, 9135)	
32	1 Ball	
33	1 Bonnet	
34	1 Spring	
35	824169 O-ring	2.40
36	1 Piston (Replacement)	
37	824193 O-ring (2 req.)	2.40
38	1 Push Rod	
39	1 Retainer (Replacement)	
40	912584 Seat (Replacement)	5.40
41	1 Spring	
42	957108 O-ring	0.90
828529	Backup Ring	1.50
43	1 Bypass Guide	
44	957107 O-ring	0.90
45	1 Bypass Stem	
46	910108 Seat (NFPA and all others)	7.10
47	910109 Seat-Disc & Retainer	18.60
48	1 Pin	
49	1 Spacer	
50	1 Spring	
51	821005 Gasket	1.90
52	1 Washer	
53	824006 O-ring	0.90
54	1 Bushing	
55	1 Nut	
56	910126 Injector	10.60
57	1 Spring	
58	911628 Injection Adjusting Screw	5.40

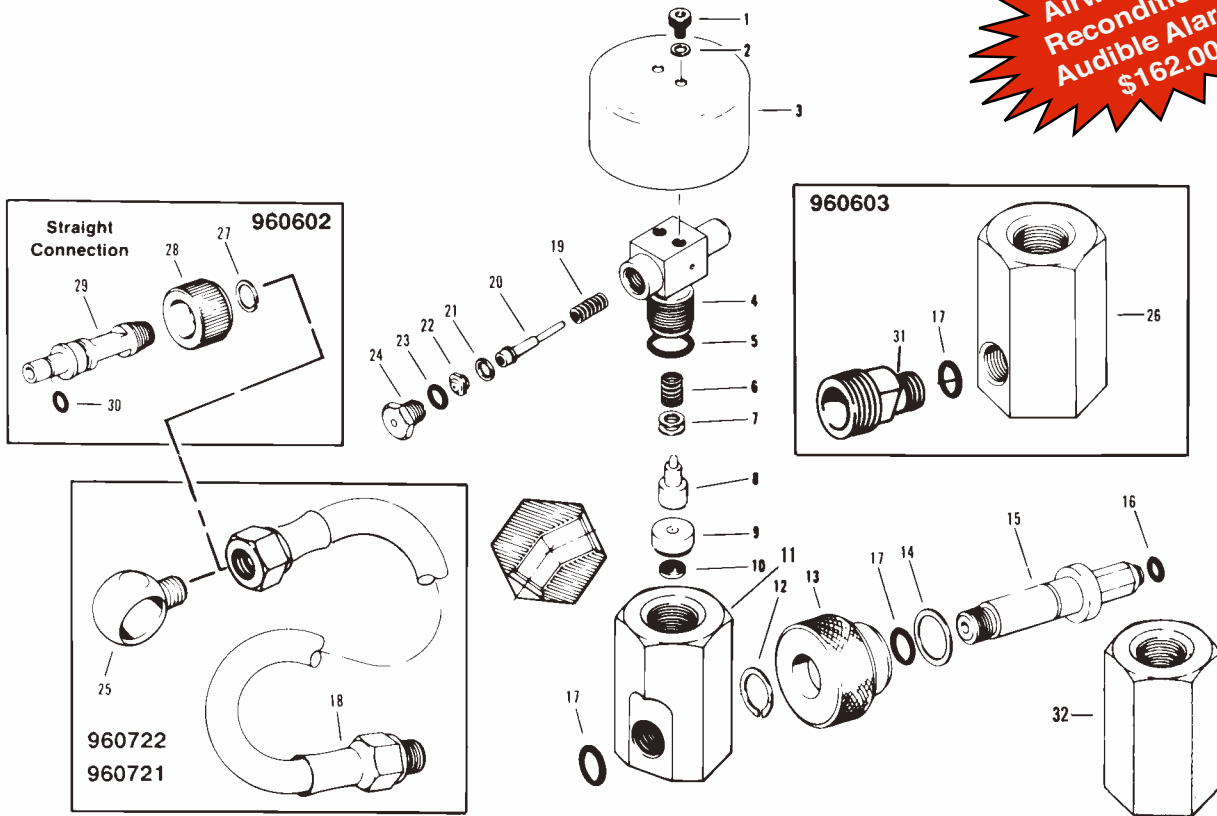
Part	Description	Price
59	1,3 Body	
60	1 Lever Plate	
61	955425 Screw (3 req.)	1.30
62	912312 Primary Lever	16.00
63	1 Secondary Lever	
64	911604 Diaphragm (Silicone)	50.40
65	910322 Cover Spacer (Pressure Demand)	12.10
66	1 Cover Assy. (Fixed/NFPA)	
67	1 Cover w/Lever Knob	
68	996004 Cap & Chain Assy.	10.40
69	955036 Cover Screw (3 req.)	0.90
70	956508 Washer (3 req.)	0.90
71	1 Stem (9116/9118 Series only)	
72	1 Bonnet (9116/9118 Series only)	
73	1 Set Screw	
74	1 Inlet Nozzle	
75	1 Retaining Ring	
76	1 Back Pressure Eliminator (H.P. only)	
77	980076 Adapter	56.00
78	820022 O-ring	1.50
79	941880 Quick-Connect Adapter, NFPA (3-pin, Red) ²	5.30
980087	Adapter, MARK 2 Facepiece, Industrial (2-pin, Black) (MARK 1 units only)	14.10
980077	Adapter (All other industrial units)	4.30
80	1 Label, SVA High-Flow	
81	1 Relief Valve (H.P.)	
912725	Plug (L.P.)	5.20
82	824151 O-ring	2.40
83	912514 Seat	2.40
84	1 Retainer	
85	912597 Bonnet	26.80
86	913506 Spacer	1.50
87	913509 Valve Stem	6.80
88	912506 Support (L.P.)	2.40
1	Support (H.P.)	
89	845085 Washer, Brass	0.90
90	957329 O-ring	1.50
91	Deleted	
92	912537 Bypass Guide	6.70
93	1 Guide	
94	824102 O-ring	0.90
95	1 Push Rod	
96	910306 Knob, Don/Use Lever	3.10
97	957206 O-ring, 9135 Series (DO NOT lubricate)	0.90
957106	O-ring, All Other Models (DO NOT lubricate)	0.90
1	Reserve Removal Kit (Not Shown)	
911690 ⁴	Overhaul Kit-9116, 9118, 9123 (Not Shown)	76.00
912590	Overhaul Kit-9125 (Not Shown)	76.00
912790	Overhaul Kit-9127, 9135 (Not Shown)	76.00
995281	Label, Serial Number	12.30

Legend

- ¹ No longer available
- ² Parts stamped with "F" are used in SCBAs originally compliant with NFPA 1981, 1992 Edition.
- ³ Notice: When replacing the body on units made before 1981, the case must also be replaced.
- ⁴ For Overhaul of 9123 Regulator, add O-rings P/N 824193 (2 req.) and 824169 (1 req.).

**Audible Alarm, Low Pressure & High Pressure
S-30 (9038, 9838), MARK 1 (9845), XL®-30 (9848), XL®-60 (9846) SCBA
and SAR Systems, Air Cart (7310)**

**Airworks has
Reconditioned
Audible Alarms
\$162.00**



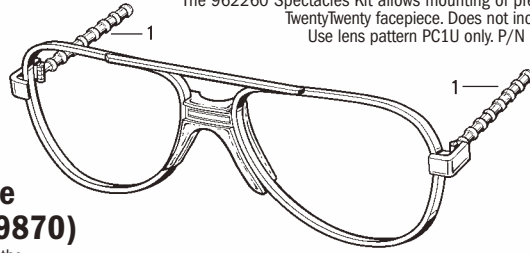
Part	Description	Price
¹	Alarm w/Hose & Banjo Connection (H.P.)	
960721	Alarm w/Hose & Banjo Connection (L.P.)	272.00
960603	Alarm w/CGA 346 Connection (SAR System) 0 to 3000 psig	270.00
960642	Alarm w/CGA 347 Connection (SAR System) 3001 to 5500 psig	232.00
¹	Alarm w/Hose & Straight Connection (SCBA BM-13E-24)	
731071	Alarm, Air Cart (L.P./H.P.)	197.00
1	955509 Screw (2 req.)	1.30
2	956605 Lock Washer (2 req.)	0.90
3	960625 Bell	12.10
4	960605 Body	53.40
5	957026 O-ring	0.90
6	960647 Spring (L.P.)	2.40
¹	Spring (H.P.)	
7	960517 Shim (0.015 thick) Brass	1.50
	960523 Shim (0.007 thin) Steel	1.50
8	960618 Poppet (L.P. & Air Cart, white)	4.00
	960610 Poppet (H.P. & SAR, black)	4.00
9	Z960631 Diaphragm Assy.	12.70
10	910141 Sintered Filter	4.40
11	960644 Connector (angled)	47.90
12	860056 Retaining Ring	1.90
13	960689 Handwheel (L.P. & SAR)	26.00
	912430 Handwheel (H.P.)	23.00
14	930132 Bearing	1.50

Part	Description	Price
15	960678 Nipple (L.P.)	21.40
	960629 Nipple (H.P.) SAR	42.10
16	95721010 O-ring (Pkg. of 10)	9.00
17	95702410 O-ring (2 req., H.P. & L.P.) (Pkg. of 10)	9.00
18	960627 Hose Assy., 18" (L.P.)	53.20
	960652 Hose Assy., 14" (H.P.)	58.80
¹	Hose (S-30)	
19	960646 Spring	2.40
20	960639 Piston Assy. (Regular, Tan)	12.90
	960636 Piston Assy. (Small, Blue) (pre-1980)	12.90
21	960645 Gasket	5.90
22	960630 Seat	12.30
23	957025 O-ring	0.90
24	¹ Cap	
25	¹ Banjo	
26	960679 Connector (Straight)	23.60
27	959009 Retaining Ring	2.30
28	¹ Swivel Nut	
29	¹ Nipple	
30	95730810 O-ring (Pkg. of 10)	9.00
31	960612 CGA Connector (air line), L.P.	11.70
	960619 CGA Connector (air line), H.P.	35.00
	960690 Overhaul Kit (L.P.)	51.00
	960693 Overhaul Kit (H.P.)	51.00
32	731070 Alarm Connector, Air Cart	93.00

Legend
¹ No longer available.

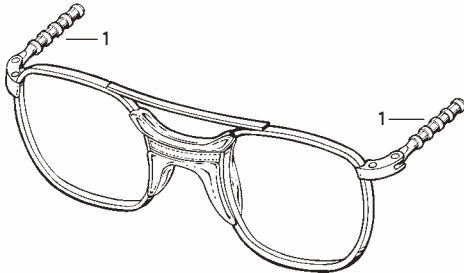
Spectacles Kit 962260, TwentyTwenty® and TwentyTwenty Plus Facepiece (2020, 2021, 2220, 2520)

The 962260 Spectacles Kit allows mounting of prescription lenses within the TwentyTwenty facepiece. Does not include lenses. Use lens pattern PC1U only. P/N 962261.



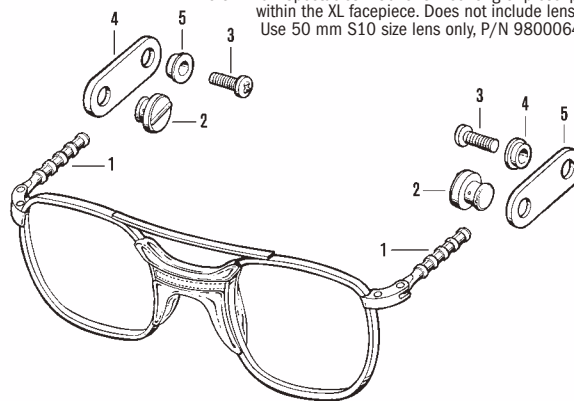
Spectacles Kit 980003, MARK 2 & Panther®/SIGMA Classic™ Facepiece (9640, 9660, 9670, 9840, 9842, 9860, 9870)

The 980003 Spectacles Kit allows mounting of prescription lenses within the MARK 2/Panther/SIGMA Classic facepiece. Does not include lenses. Use 50 mm S10 size lens only. P/N 9800064.

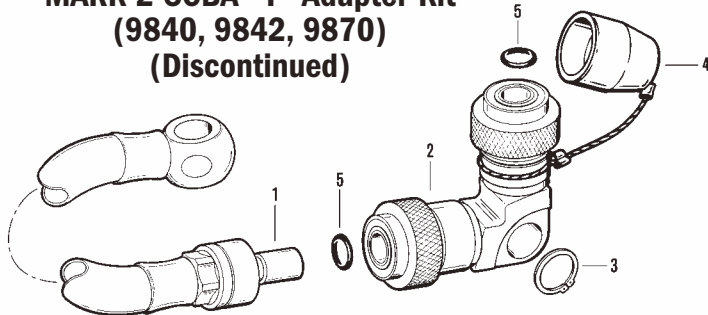


Spectacles Kit 941107, XL® Facepiece (9038, 9838, 9845, 9846, 9848) Discontinued

The 941107 Spectacles Kit allows mounting of prescription lenses within the XL facepiece. Does not include lenses. Use 50 mm S10 size lens only, P/N 9800064.



MARK 2 SCBA "Y" Adapter Kit (9840, 9842, 9870) (Discontinued)



Part	Description	Price
962260	Spectacles Kit, Complete, TwentyTwenty and TwentyTwenty Plus Facepiece	51.00
1	980111 Temple Bar, TwentyTwenty (Incl. screw & nut)	15.00
2	980066 Kit, Replacement Screws & Nuts, 2 ea. (Not Shown)	1.60
3	962261 PC1U Lens Pattern (Not Shown)	N/C ¹
980003	Spectacles Kit, Complete, MARK 2 & Panther/SIGMA Classic	45.00
1	980116 Temple Bar, MARK 2/Panther/SIGMA Classic/XL (Incl. screw & nut, 1 ea.; Not Shown)	15.00
2	980066 Kit, Replacement Screws & Nuts, 2 ea. (Not Shown)	1.60
3	980064 S10 Lens Pattern (Not Shown)	N/C ¹
941107	Spectacles Kit, Complete, XL	79.00
1	980116 Temple Bar, MARK 2/Panther/SIGMA Classic/XL (Incl. screw & nut, 1 ea.; Not Shown)	15.00
2	941110 Retainer, Temple Bar (2 req.)	13.40

Part	Description	Price
3	833018 Screw (2 req.)	1.40
4	941105 Link, Rubber (2 req.)	4.10
5	941111 Spacer (2 req.)	4.70
6	980064 S10 Lens Pattern (Not Shown)	N/C ¹
980010	Y Adapter Kit	276.00
980085²	OTS "Y" Adapter Kit (Modifies OTS Units)	276.00
1	935068 Hose Assy., 16" ³	66.50
	935090 Hose, OTS I.P. Buddy Breather	60.20
2	935067 Dual Banjo Assy.	219.00
3	861050 Retaining Ring	1.90
4	980605 Dust Cap	37.80
5	957112 O-ring (2 ea.)	0.90
	104913 Zip-tie Cable Clamp (Not Shown)	1.50

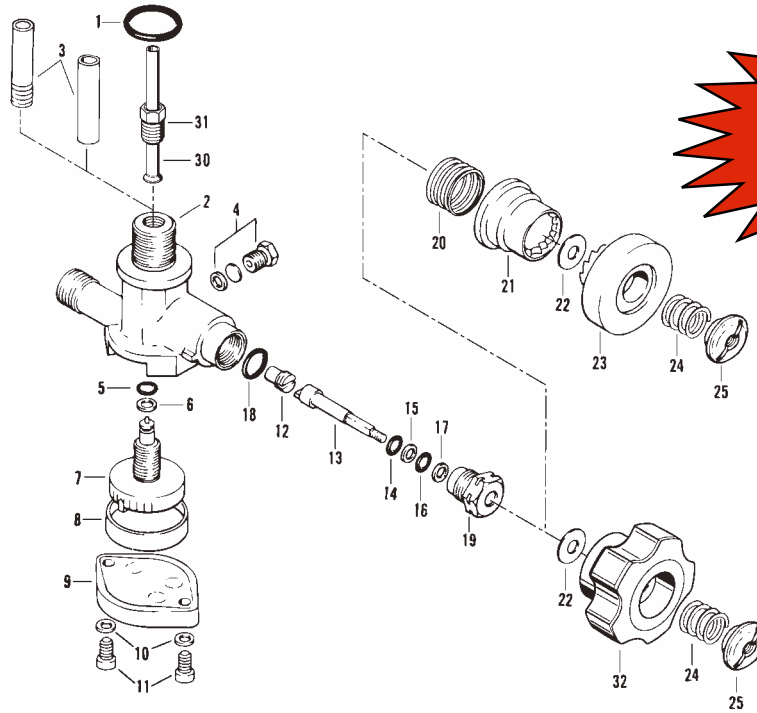
Legend

¹ N/C = No Charge

² OTS - Over-the-shoulder

³ Parts with "F" stamped on them are used in SCBAs originally compliant with NFPA 1981, 1997 Edition.

Cylinder Valve H.P. (4500 psi), L.P. (2216 and 3000 psi)



Airworks has
Reconditioned
and Warranted
Valves
\$187.00

Part	Description	Price	Part	Description	Price
921040	Cylinder Valve, Non-locking (2216 psig, All-Aluminum, Fully Wrapped Fiberglass, and Carbon Cylinders)	268.00	8	921005 Lens	7.80
921045	Cylinder Valve, Locking (2216 psig, All-Aluminum, Fully Wrapped Fiberglass, and Carbon Cylinders)	278.00	9	921004 Gauge Cover ²	7.80
921050	Cylinder Valve, Non-locking (2216 psig, Hoop-Wrapped Fiberglass & S-30 Cylinders)	268.00	10	Deleted	
921055	Cylinder Valve, Locking (2216 psig, Hoop-Wrapped Fiberglass & S-30 Cylinders)	278.00	11	955435 Screw (2 req.)	2.50
961165	Cylinder Valve, Non-locking (3000 psig Fully Wrapped Carbon Cylinders)	268.00	12	921014 Seat (Red)	8.70
921065	Cylinder Valve, Locking (3000 psig Fully Wrapped Carbon Cylinders)	278.00	13	052521 Stem	17.00
921000	Cylinder Valve, Non-locking (4500 psig, Hoop-Wrapped Fiberglass Cylinders)	268.00	14	921019 Washer (Blue Teflon)	3.40
921070	Cylinder Valve, Locking (4500 psig, Hoop-Wrapped Fiberglass Cylinders)	278.00		050208 Gasket ³	2.60
920312	Cylinder Valve, Non-locking (4500 psig, Fully Wrapped Fiberglass, Kevlar, and Carbon Cylinders)	268.00	15	921018 Washer (Stainless Steel)	1.50
920322	Cylinder Valve, Locking (4500 psig, Fully Wrapped Fiberglass, Kevlar, and Carbon Cylinders)	278.00	16	82401210 O-ring (Pkg. of 10)	9.00
1	82021410 O-ring (2216 psig Hoop-Wrapped Fiberglass, and S-30 Cylinders) (Pkg. of 10) ¹	9.00	17	828510 Back-up Ring	1.50
	95737510 O-ring (4500 psig, Hoop-Wrapped Fiberglass Cylinders) (Pkg. of 10) ¹	15.00	18	82401310 O-ring (Pkg. of 10)	9.00
	95703210 O-ring (4500 psig, Fully Wrapped Fiberglass, Kevlar, and Carbon Cylinders) (Pkg. of 10) ¹	15.00	19	921015 Bonnet (Left Hand Thread)	6.70
	82004110 O-ring (2216 psig, All-Aluminum, Fully Wrapped Fiberglass, and Carbon; 3000 psig Fully Wrapped Carbon Cylinders) (Pkg. of 10) ¹	9.00	20	920120 Spring ¹	2.70
	921001 Valve Body (4500 psig Hoop-Wrapped Fiberglass Cylinders)	106.00	21	920103 Sleeve ¹	12.60
2	920311 Valve Body (4500 psig Fully Wrapped Fiberglass, Kevlar, and Carbon Cylinders)	102.00	22	845058 Washer	0.90
	921016 Valve Body (2216 psig Hoop-Wrapped Fiberglass, & S-30 Cylinders)	102.00	23	920154 Handwheel (w/cover) ²	18.20
	921030 Valve Body (2216 psig All-Aluminum, Fully Wrapped Fiberglass, and Carbon; 3000 psig Carbon Cylinders)	102.00		975226 Handwheel ⁴	23.00
	921021 Dip Tube (Pressed) (Discontinued)	4.00	24	50107 Spring	1.60
3	51832 Dip Tube (Threaded), Old Body (Discontinued)	6.70	25	52518 Handwheel Nut	2.70
	50243 Burst Disc Kit (4500 psig), Brown	12.30	26	920508 Plug (4500 psig)	8.10
	50247 Burst Disc Kit (2216 psig), Purple	12.30		920510 Plug (2216 psig)	8.10
	50241 Burst Disc Kit (3000 psig), Red	12.30		920506 Plug (3000 psig)	8.10
5	82004810 O-ring, Purple (Pkg. of 10)	9.00	27	50225 Burst Disc, Brown (4500 psig)	2.80
6	957507 Back-up Ring	1.50		50221 Burst Disc, Purple (2216 psig)	1.30
7	921090 Gauge (4500 psig)	66.00		50213 Burst Disc, Red (3000 psig)	6.10
	921060 Gauge (2216 psig)	66.00	28	821019 Washer	0.90
	921062 Gauge (3000 psig)	66.00	29	964809 Cylinder Spacer (used on H.P. 30 carbon cylinders only) (Not Shown)	16.40
			30	961850 Dip Tube	1.60
			31	961849 Brass Nut	1.20
			32	963003 Handwheel	18.20
Legend					
¹ Not included in basic assembly.					
² Parts stamped with "F" are used in SCBAs originally compliant with NFPA 1981, 1997 Edition.					
³ Used on S-30 Units made before 6/1/75.					
⁴ Handwheel available in Australia and New Zealand only.					
NOTE: Do not use Silicone Lubricant. Use Christolube.					
NOTE: See page 80 for Cylinder Valve Overhaul Kits.					

Survivair Cylinder Specifications – September 1, 2006

Spare Cylinder Part No.	Size and Service Pressure	Vendor	Type	Valve Thread & Valve Part No.	Diameter (In)	Length (In)**	Bare Cylinder Weight Without Air (Lb)	Cycl. Weight With Air and Valve (Lb)**	Water Volume (Cu In)	Service Pressure Volume (Cu Ft)	Valve Torque Value (Ft-Lb)
915140 917421	30 Minutes 2216 PSIG 3AL	Luxfer	Aluminum	.750-16 UNF P/N 921040	6.75	21.13	17.3	21.5	516.6	45.0	70
916103 917403	30 Minutes 2216 PSIG DOT-E-7235 DOT-E-11382	Luxfer SCI	Fiberglass Hoop-Wrap	.750-14 NPSM P/N 921050	6.65 - Luxfer 6.85 - SCI	19.88 - Luxfer 20.10 - SCI	11.8 - Luxfer 11.4 - SCI	16.0 - Luxfer 15.6 - SCI	525.0 - Luxfer 523.0 - SCI	45.0	70
915170 917419 (Discontinued)	30 Minutes 2216 PSIG DOT-E-9634 DOT-E-7277	Luxfer SCI	Fiberglass Full Wrap	.750-16 UNF P/N 921040	6.76 - Luxfer 6.86 - SCI	20.80 - Luxfer 20.15 - SCI	9.3 - Luxfer 8.8 - SCI	13.5 - Luxfer 13.0 - SCI	516.0 - Luxfer 514.0 - SCI	45.0	70
917130 917423	30 Minutes 2216 PSIG DOT-E-10915 DOT-E-10945	Luxfer SCI	Carbon Full Wrap	.750-16 UNF P/N 921040	6.64 - Luxfer 6.84 - SCI	20.30 - Luxfer 19.35 - SCI	6.7 - Luxfer 6.4 - SCI	10.9 - Luxfer 10.6 - SCI	523.0	45.0	70
916123 917431	30 Minutes 3000 PSIG DOT-E-10915 DOT-E-10945	Luxfer SCI	Carbon Full Wrap	.750-16 UNF P/N 921040	6.78	20.60 - Luxfer 20.44 - SCI	9.5 - Luxfer 8.8 - SCI	14.9 - Luxfer 14.2 - SCI	521.0 - Luxfer 514.0 - SCI	60.0	70
915165 917407	30 Minutes 4500 PSIG DOT-E-9894	Luxfer	Fiberglass Hoop-Wrap	1.125-12 UNF P/N 921000	5.40	19.75	11.5	15.7	285.0	45.0	70
961913 (Discontinued)	30 Minutes (2 x 15 Min.) 4500 PSIG DOT-E-9894	Luxfer	Fiberglass Hoop-Wrap	.875-14 UNF P/N 961916	3.84 ea. 8.80 total width (w/valve)	22.12	6.0 ea. 12.0 total	16.2 total	144.0 ea. 288.0 total	22.8 ea. 45.6 total	70
916173 917405 (Discontinued)	30 Minutes 4500 PSIG DOT-E-9634 DOT-E-7277	Luxfer SCI	Fiberglass Full Wrap	.875-14 UNF P/N 920312	5.60 - Luxfer 5.49 - SCI	19.60 - Luxfer 20.70 - SCI	10.3 - Luxfer 9.5 - SCI	14.5 - Luxfer 13.7 - SCI	285.0	45.0	70
917131* 917425*	30 Minutes 4500 PSIG DOT-E-10915 DOT-E-10945	Luxfer SCI	Carbon Full Wrap	.875-14 UNF P/N 920312	5.48 - Luxfer 5.44 - SCI	18.80 - Luxfer 19.10 - SCI	6.4 - Luxfer 6.6 - SCI	10.6 - Luxfer 10.8 - SCI	285.0	45.0	70
916140 (Discontinued)	45 Minutes 4500 PSIG DOT-E-9634 DOT-E-7277	Luxfer SCI	Fiberglass Full Wrap	.875-14 UNF P/N 920312	6.8	19.75 - Luxfer 18.90 - SCI	14.2 - Luxfer 14.0 - SCI	20.0 - Luxfer 19.8 - SCI	418.0 - Luxfer 412.0 - SCI	66.0 - Luxfer 65.6 - SCI	70
917145* 917427*	45 Minutes 4500 PSIG DOT-E-10915 DOT-E-10945	Luxfer SCI	Carbon Full Wrap	.875-14 UNF P/N 920312	6.15 - Luxfer 6.32 - SCI	20.20 - Luxfer 20.90 - SCI	8.8 - Luxfer 9.4 - SCI	14.6 - Luxfer 15.2 - SCI	415.0	65.6	70
917252 917437 (*shorter & wider*)	45 Minutes 4500 PSIG DOT-E-10915	Luxfer	Carbon Full Wrap	.875-14 UNF P/N 920312	6.8	17.90	9.4	15.2	416.0	65.6	70
915182 (Discontinued)	60 Minutes 4500 PSIG DOT-E-9634 DOT-E-7277	Luxfer SCI	Fiberglass Full Wrap	.875-14 UNF P/N 920312	7.20 - Luxfer 7.19 - SCI	22.90 - Luxfer 22.15 - SCI	17.5	24.9	547.0 - Luxfer 550.0 - SCI	87.0	70
917160* 917429*	60 Minutes 4500 PSIG DOT-E-10915 DOT-E-10945	Luxfer SCI	Carbon Full Wrap	.875-14 UNF P/N 920312	7.00 - Luxfer 7.18 - SCI	21.60 - Luxfer 21.10 - SCI	11.6 - Luxfer 11.9 - SCI	19.0 - Luxfer 19.3 - SCI	550.0	87.0	70

Legend:

*Add letters "BLK" after part number to designate Commando cylinder.

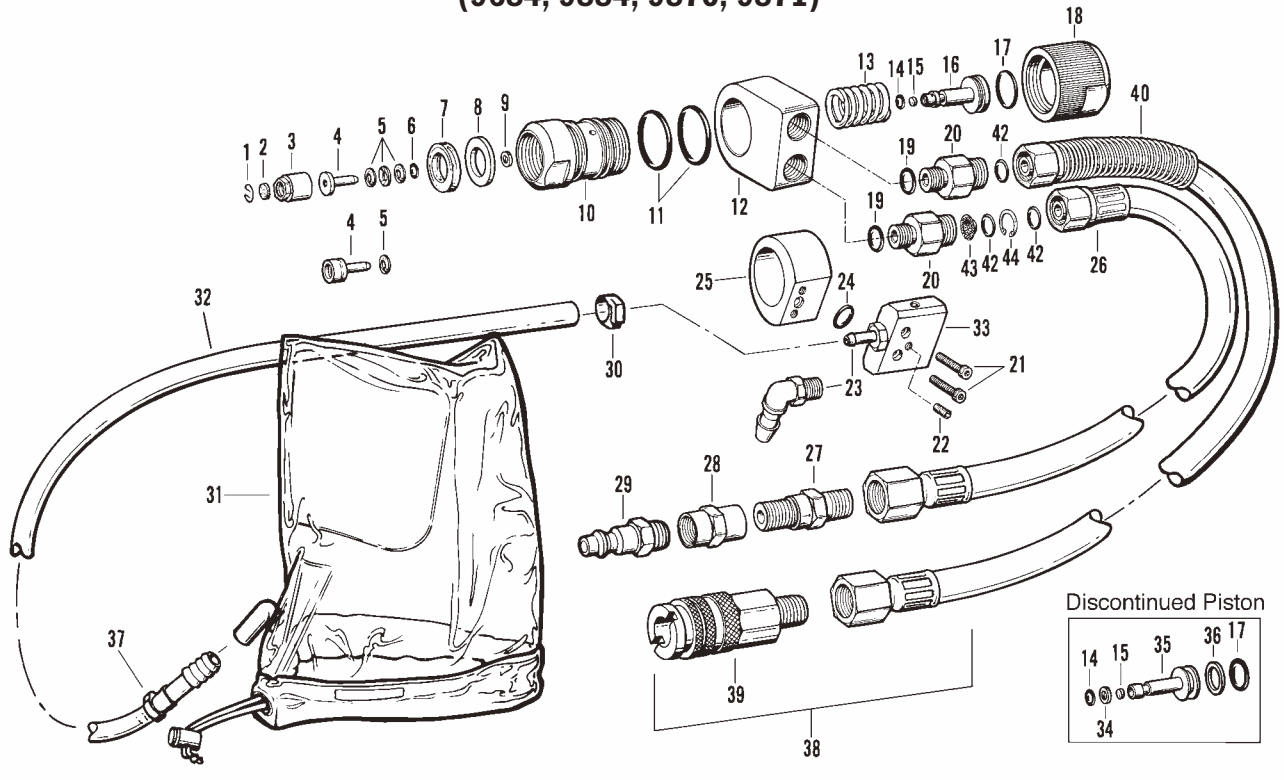
**Bare cylinder length. Add 2.70 inches for cylinder + valve length.

***Subtract .88 lb for weight without cylinder valve. Exception: subtract 1.32 lb for valve (P/N 961916) for Lo-Pro cylinder (P/N 961913).

Approximate weight of air at 72°F: 3.36 lb/30-minute cylinder (45.0 ft³); 4.48 lb/30-minute cylinder (60.0 ft³); 4.93 lb/45-minute cylinder (66.0 ft³); 6.50 lb/60-minute cylinder (87.0 ft³).

(Table Continued on Page 82)

**Pressure Reducer MARK 2/Panther®/SIGMA HIP-PAC
EBA 5/10/HF 5 Pressure Reducer & Hood
(9684, 9884, 9870, 9871)**

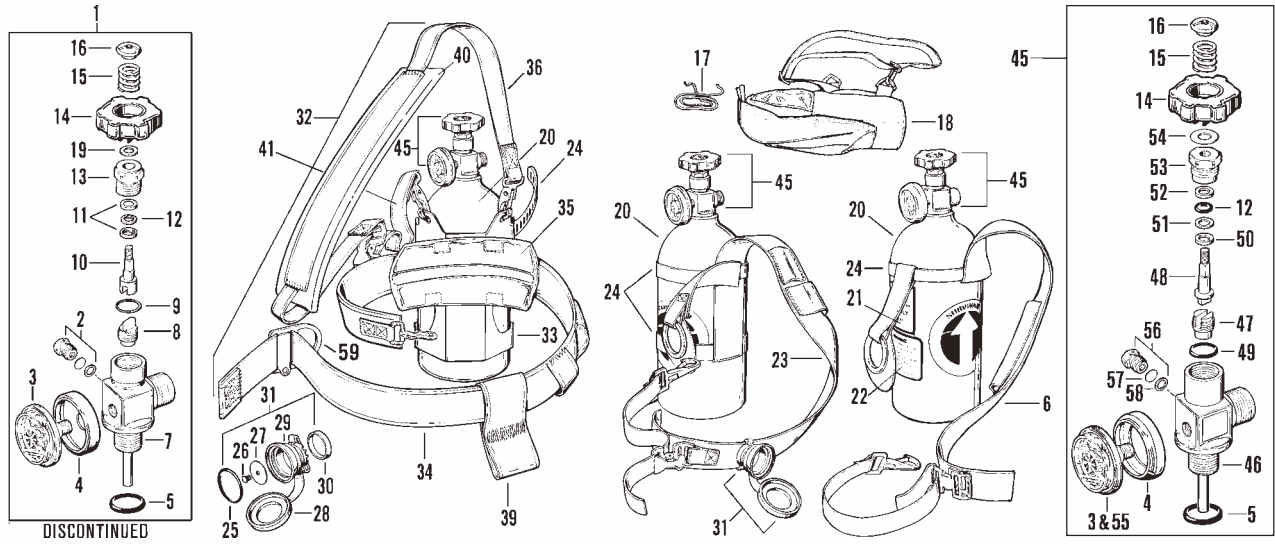


Part	Description	Price
975200	Pressure Reducer, MARK 2/Panther/SIGMA HIP-PAC (Incl. 1 ea. #'s 1 - 18, 19, 20)	254.00
975085	Pressure Reducer, EBA, 5 Min.	243.00
975115	Pressure Reducer, EBA, 10 Min.	243.00
975184	Pressure Reducer, EBA 5 Min. HF	215.00
1	975213 Spring, HIP-PAC	3.90
2	975110 Filter, HIP-PAC	0.90
3	975211 Orifice Retainer, HIP-PAC	24.80
4	975216 Seat & Orifice, HIP-PAC	30.30
	975111 Seat & Orifice, EBA	23.00
5	975112 Spring, HIP-PAC (3 req.), EBA (1 req.)	1.50
6	820007 O-ring	0.90
7	921039 Washer, Urethane, HIP-PAC	3.50
	975108 Washer, Teflon, EBA	2.00
8	975107 Washer, Silicone, HIP-PAC and EBA	1.60
9	828507 Back-up Ring	1.50
10	975212 Inlet Body, HIP-PAC	47.50
	975101 Inlet Body, EBA	49.10
11	820039 O-ring (2 req.), HIP-PAC	1.50
	820020 O-ring (2 req.), EBA	1.00
12	975210 Manifold, HIP-PAC	48.60
13	975204 Spring, HIP-PAC	3.90
	975106 Spring, EBA	3.90
14	824010 O-ring, EBA	0.90
	824022 O-ring, HIP-PAC	1.50
15	975105 Seat	11.80
16	975103 Piston	23.30
17	824015 O-ring, EBA	0.90
	824023 O-ring, HIP-PAC	1.50
18	975102 Housing	23.70
19	820011 O-ring (2 req.), HIP-PAC	0.90
20	910247 Adapter, HIP-PAC ¹	18.60
	968438 Adapter, HIP-PAC, Panther/SIGMA only (Does Not Incl. #'s 42, 43, 44) (Not Shown)	9.20
21	832502 Screw (use Loctite 242), EBA	0.90
22	975113 Set Screw (Tamper Seal recommended), EBA	7.10

Part	Description	Price
23	975131 Fitting, EBA 5/10	7.60
	975130 Fitting, Elbow, HF 5	7.10
24	820005 O-ring, EBA	0.90
25	975104 Outlet, EBA	23.70
26	975214 HIP-PAC Hose, 36" ²	24.80
	975215 HIP-PAC Hose Assy., 36" (Incl. #'s 27 & 28) ²	65.00
27	960123 Check Valve, HIP-PAC ²	26.30
28	930553 Adapter ²	2.40
29	930429 Quick Connect, Foster, HIP-PAC ²	5.60
	930433 Quick Connect, Schrader, HIP-PAC	9.50
	930466 Quick Connect, Hansen, HIP-PAC	9.60
30	975164 Hose Clamp, EBA	2.20
31	975086 Hood/Drawstring, EBA	38.40
32	975014 Breathing Tube Assy.	20.20
33	975109 Outlet Block, EBA	30.80
34	828007 Back-up Ring	1.50
35	Piston ³	
36	828515 Back-up Ring	1.50
37	104913 Clamp	1.50
38	968484 Hose Assy., Panther/SIGMA HIP-PAC with Q.D. (Incl. #'s 39 & 40) ²	85.90
	961402 Hose Assy., Panther/SIGMA HIP-PAC without Q.D. ² (Not Shown)	35.60
	985507 Hose Assy., MARK 2 HIP-PAC ² (Not Shown)	27.80
	910240 Hose Assy., XL Style HIP-PAC and SAC-PAC ² (Not Shown)	66.20
39	961143 Coupling ²	60.00
40	968483 Hose, Panther/SIGMA HIP-PAC ²	26.00
41	975245 Overhaul Kit, Pressure Reducer, HIP-PAC (Not Shown)	30.00
42	820010 O-ring (3 req.)	0.90
43	910032 Filter	0.90
44	863037 Snap Ring	1.90

Legend
¹ Older hose assemblies use one each smaller adapter P/N 960133.
² Not included with basic assembly.
³ No longer available.

Cylinder & Valve Assys., MARK 2/Panther®/SIGMA HIP-PAC & EBA 988171 (9852, 9881, 9884, 9684)



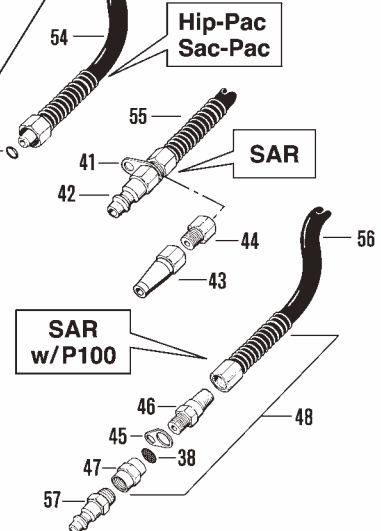
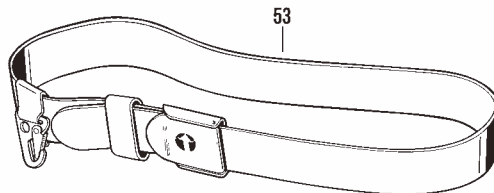
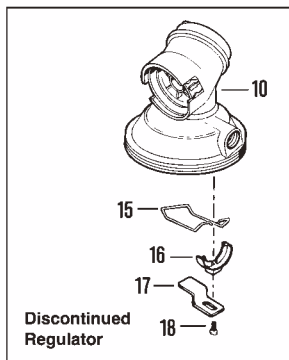
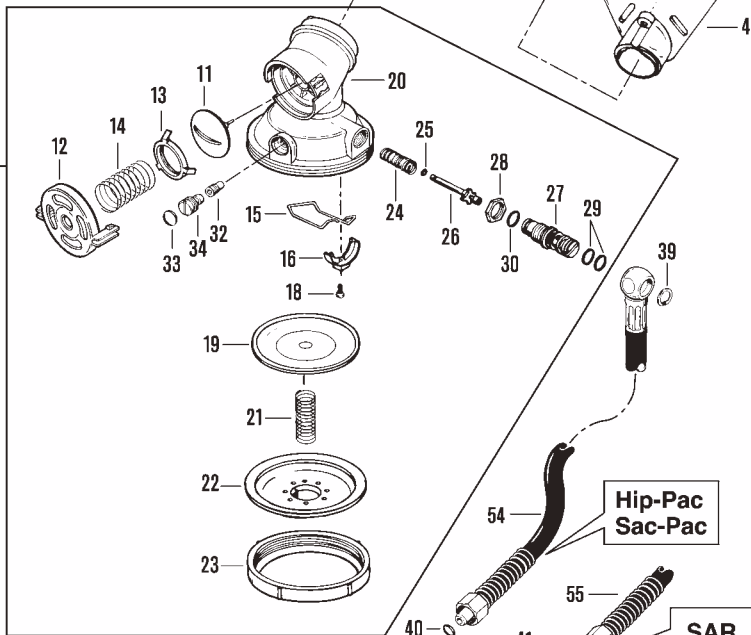
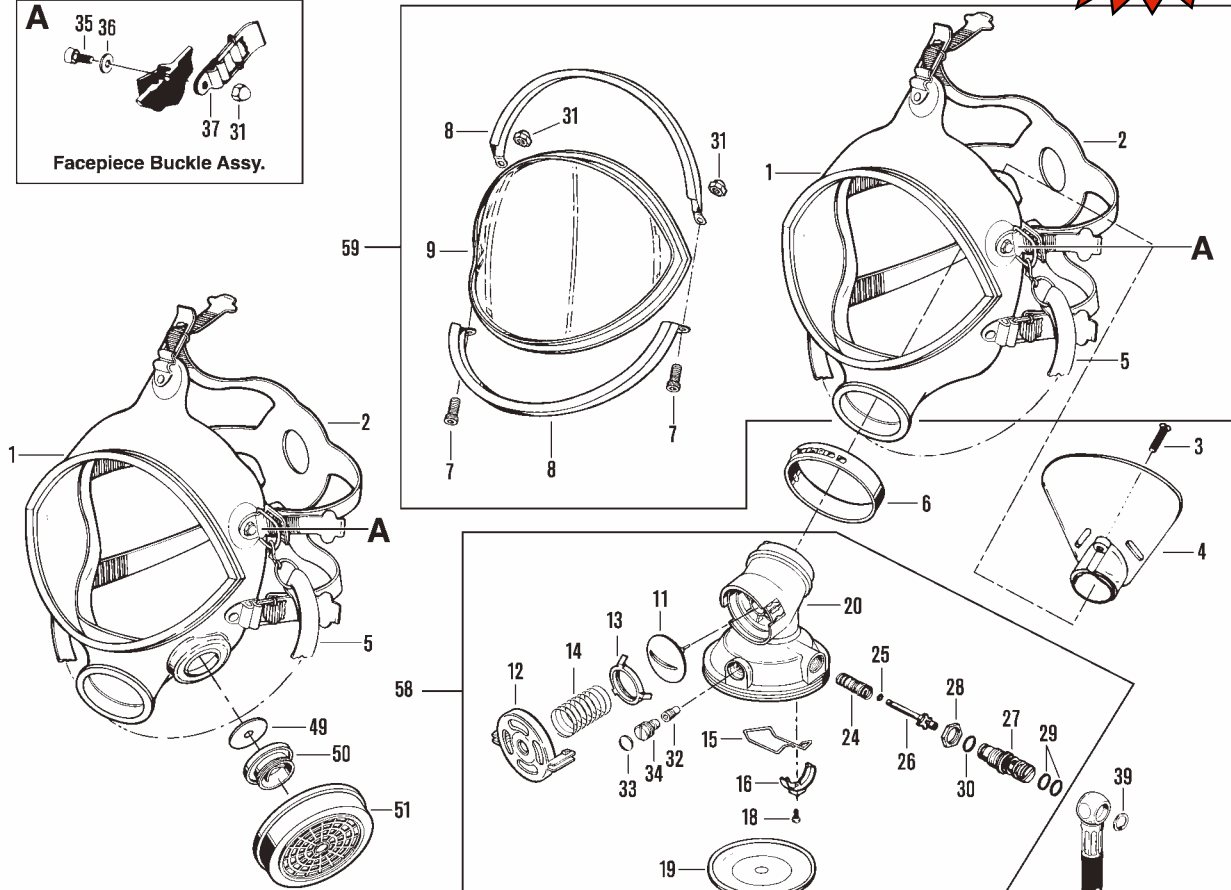
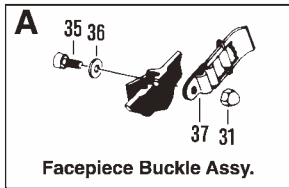
Part	Description	Price
975081	Cylinder & Valve Assy.—EBA 5, HIP-PAC 5-Min.	235.00
975091	Cylinder & Valve Assy.—EBA 10	300.00
975154	Cylinder & Valve Assy.—EBA HF 5, HIP-PAC 10-Min.	345.00
968513	Cylinder & Valve Assy.—HIP-PAC 15-Min.	390.00
968516	Cylinder & Valve Assy.—207 bar¹	390.00
1	975084 Valve Assy., 2216 psig (Discontinued)	117.00
	975095 Valve Assy., 3000 psig, HIP-PAC 10 min. (Discontinued)	117.00
2	975140 Burst Disc Kit, 2216 psig	13.50
	975141 Burst Disc Kit, 3000 psig	13.50
3	975089 Gauge, 2216 psig (EBA 5)	45.00
	975189 Gauge, 3000 psig (EBA 10)	45.00
4	920433 Pressure Gauge Boot	10.60
	920436 Pressure Gauge Boot (Gauge P/N 920418)	13.00
5	82004110 O-ring, Cylinder (Pkg. of 10)	9.00
6	— HIP-PAC Harness (No Longer Available)	
7	Body ²	
8	975056 Seat	3.70
9	975055 Gasket	0.70
10	975054 Stem	14.00
11	975052 Washer (2 req.)	0.70
12	82401210 O-ring (Pkg. of 10)	9.00
13	975053 Bonnet	3.50
14	975038 Handwheel w/o Cover	7.10
15	50107 Spring	1.60
16	52518 Nut	2.70
17	975127 Carry Pouch Cord	0.90
18	975083 Carry Pouch (EBA 5)	38.00
	975097 Carry Pouch (EBA 10)	38.00
	975197 Carry Pouch (EBA HF 5)	38.00
19	845058 Washer	0.90
20	975152 Cylinder, 10 min. HIP-PAC	174.00
	975082 Cylinder, 5 min. HIP-PAC	104.00
	968511 Cylinder, 15 min. HIP-PAC/207 bar	246.00
21	975135 Label, 3000 psig, 10 min.	3.90
22	975136 Label, WARNING, 10 min.	1.60
23	975230 Panther/SIGMA HIP-PAC Harness, 5/10 min.	67.20
	975224 MARK 2 HIP-PAC Harness, 5/10 min.	67.20
24	875001 Clamp, 5 & 10 min. HIP-PAC	4.10
	875002 Clamp, 15 min. HIP-PAC	4.10
25	82013110 O-ring (Pkg. of 10)	15.00
26	961241 Push-in Fastener	1.40
27	961242 Valve	0.90
28	961299 Receiver Cover	19.20
29	975243 Regulator Receiver	46.60
30	961243 Over-pressure Sleeve	3.80

Part	Description	Price
31	961240 Regulator Receiver Assy. with Slide ³	60.60
31a	961298 Regulator Receiver Assy. without Slide ³	25.30
32	968510 Panther/SIGMA 5/10 min. HIP-PAC Harness	283.00
	968545 MARK 2 5/10 min. HIP-PAC Harness	283.00
	968515 Panther/SIGMA 15 min. HIP-PAC Harness	283.00
33	968492 Bracket, 5 & 10 min. HIP-PAC	11.60
	968493 Bracket, 15 min. HIP-PAC	17.40
34	968497 Waist Strap Assy.	53.20
35	968523 Hip Pad	47.00
36	Z968502 Rear Shoulder Strap	21.90
37	942249 Snap Assy. (Discontinued)	47.50
38	942283 D-ring Assy. (Discontinued)	27.70
39	942324 Hose Strap	7.90
40	968507 Shoulder Pad	31.30
41	968499 Front Shoulder Strap	12.70
42	968508 Bracket Clamp (Not Shown)	22.70
43	836013 Screw (4 req.; Not Shown)	1.50
44	975242 Receiver Slide (Not Shown)	11.30
45	975047 Valve Assembly, 207 bar¹	125.00
	975049 Valve Assembly, 2216 psig	125.00
	975050 Valve Assembly, 3000 psig	125.00
46	975064 Valve Body	60.50
47	921014 Seat	8.70
48	52521 Stem	17.00
49	82401310 O-ring (Pkg. of 10)	9.00
50	921019 Washer, Blue Teflon	3.40
51	921018 Washer, Stainless Steel	1.50
52	828510 Backup Ring	1.50
53	921015 Bonnet (Left Hand Thread)	6.70
54	845058 Washer	0.90
55	975161 Pressure Gauge, 207 bar ¹	18.00
56	50241 Burst Disc Kit, 3000 psig	12.30
	50247 Burst Disc Kit, 2216 psig	12.30
57	50221 Burst Disc, 2216 psig, Violet	1.30
	50213 Burst Disc, 3000 psig (207 bar), Red ¹	6.10
58	821019 Gasket	0.90
59	942280 Buckle, 2" D-slide	4.10
STORAGE/CARRYING CASES		
	975163 Storage/Carrying Case, 5/10 EBA Only (Not Shown)	57.00
	968027 Storage/Carrying Case, Hip-Pac, All Models (Not Shown)	65.00

Legend
¹ Available in Australia and New Zealand only.
² No longer available.
³ Not included in basic assembly.

**Facepiece & Regulator Assemblies for HIP-PAC, SAC PAC,
Supplied Air Respirators Including SAR w/P100
(9811, 9865, 9881, & 9884)
(Discontinued)**

**Service & Parts
Available
from
Airworks**



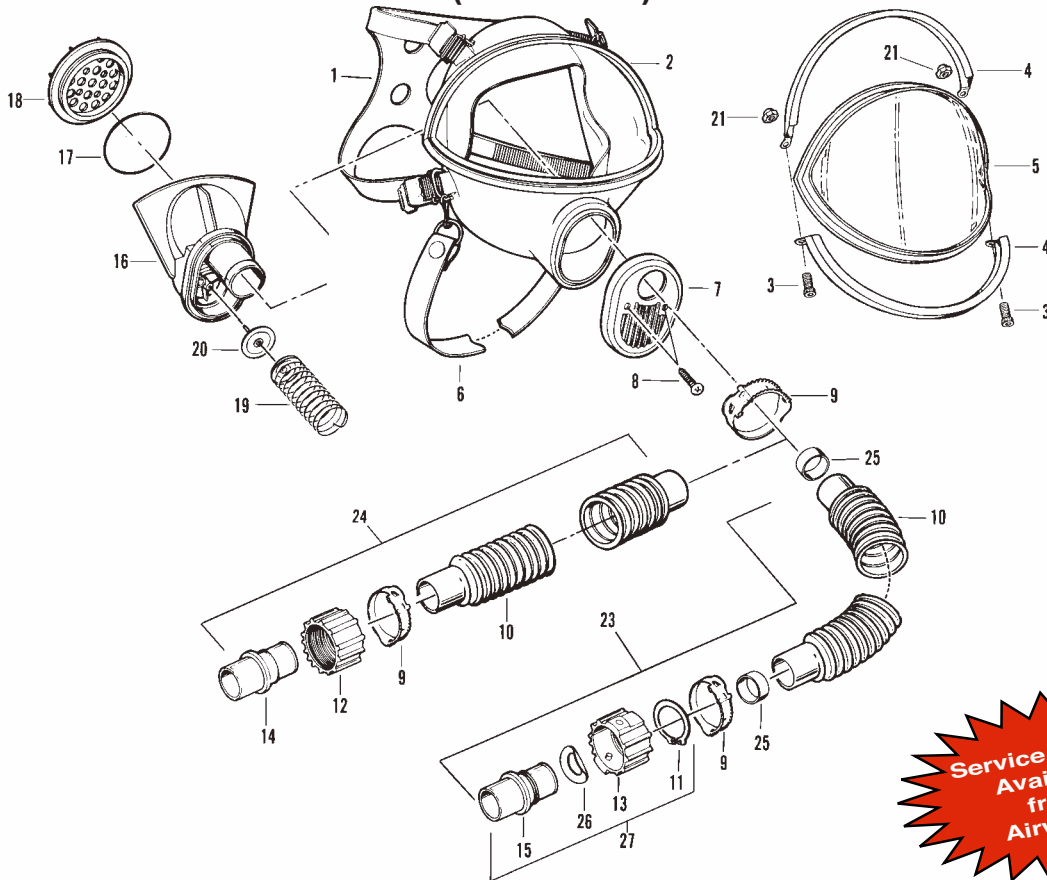
**Facepiece & Regulator Assemblies for HIP-PAC, SAC PAC,
Supplied Air Respirators Including SAR w/P100
(9811, 9865, 9881, & 9884)
(Discontinued)**

Part	Description	Price	Part	Description	Price
1	941398 Skirt Assy.	116.40	33	820032 O-ring	0.90
	1 Skirt Assy. (SAR w/P100 Filter)		34	910430 Plug	10.90
2	941370 Headstrap	39.40	35	833017 Screw	1.40
3	955806 Screw, Deflector	1.30	36	941353 Washer	2.70
4	941108 Deflector	10.00	37	941114 Buckle w/D-ring	8.20
5	940167 Neckstrap	10.40		941115 Buckle w/out D-ring	3.40
	940135 Neckstrap (SAR w/P100)	12.20	38	985008 Screen (SAR w/P100)	1.60
6	941317 Clamp	5.70	39	861050 Retaining Ring	1.90
7	839101 Screw, Metal (2 req.)	1.50	40	820010 O-ring	0.90
	839102 Screw, Plastic (2 req.)	1.10	41	930507 Tab (SAR)	4.70
8	941275 Metal Rim (2 req.)	12.60	42	930428 Plug, Foster Q.D.	6.00
	941280 Plastic Rim (2 req.)	13.50	43	930439 Plug, Schrader Q.D.	9.80
9	941802 Lens	38.40	44	1 Bushing (use with #42 or #43 only)	
10	1 Regulator Body		45	985224 Tab (SAR w/P100)	2.25
11	940116 Exhalation Valve	6.10	46	960123 Check Valve (SAR w/P100)	26.30
12	940163 Nozzle Cover	5.20	47	930553 Adapter (SAR w/P100)	2.40
13	940171 Pad	7.20	48	1 Hose Assy. (SAR w/P100) (Incl. #'s 45, 46, 47, & 38)	
14	940157 Spring	2.70	49	B140001 Inhalation Valve, pkg. of 6 (SAR w/P100)	3.90
15	910788 Lever	26.80	50	B140002 Threaded Connector, pkg. of 2 (SAR w/P100)	2.00
16	1 Lever Retainer		51	105005 P100 Filter, pkg. of 10 (SAR w/P100)	38.50
	1 Lever Retainer (Use with #10)		52	Deleted	
17	1 Adjustment Clip		53	985231 Belt Assy., 51" (All SAR) (2" wide)	26.00
18	955017 Screw	1.30	54	910240 Hose Assy. (HIP-PAC and SAC PAC)	66.20
19	1 Diaphragm		55	930501 Hose Assy., SAR (use with #42, 44, or 46)	40.90
20	910445 Regulator Body	32.00	56	930551 Hose (SAR w/P100)	39.00
21	910501 Spring	5.40	57	930429 Plug, Foster	5.60
22	910410 Cover	17.10		930433 Plug, Schrader	9.50
23	1 Ring			930466 Plug, Hansen	9.60
24	910420 Spring	2.70	58	1 Regulator, 2nd Stage, Complete, w/o Facepiece or Hose	
25	824017 O-ring	0.90		940118 Protective Bag (Not Shown)	6.10
26	910416 Retainer, w/Disc	24.60	59	941842 Facepiece Subassy., Silicone (Skirt, Lens, Rims, & Headstrap) w/o Regulator	183.00
27	910406 Inlet Fitting	42.80		1 Rim Kit, Metal, Complete (Incl. #'s 7, 8, 31)	
28	1 Nut			1 HIP-PAC, Facepiece, Pressure Reducer, Regulator Assy., No Coupling (988450 only) ¹	
29	824212 O-ring (2 req.)	0.90			
30	957111 O-ring	0.90			
31	940106 Cap Nut, Metal (2 req.)	1.20			
32	910432 Adjustment Screw	13.90			

Legend

¹ No longer available.

**MARK 2 SAR Full Facepiece & Hose Assy.
Pressure Demand
(9815)
(Discontinued)**



Part	Description	Price
2	Facepiece & Hose Assy. (Pressure Demand Quick Connect)	
941520	Facepiece & Hose Assy., Small (Pressure Demand SAR)	274.00
1	941755 Headstrap (9815 Series)	43.70
2	941720 Skirt	90.90
	941427 Skirt, Small	90.90
3	839101 Screw (2 req.), for metal rims	1.50
	839102 Screw (2 req.), for plastic rims	1.10
4	941275 Metal Rim (2 req.)	12.60
	941280 Plastic Rim (2 req.)	13.50
5	941802 Lens	38.40
6	940167 Strap Assy.	10.40
7	941740 Nozzle Cover, P.D.	6.70
8	955805 Screw (2 req.)	1.50
9	941732 Hose Clamp (2 req.)	2.50
10	985078 Hose, P.D.	17.50
2	Hose, P.D., w/Q.C. Interchange	
11	861076 Retaining Ring, P.D. Q.C. ¹	2.80
12	941733 Hose Nut, P.D., Threaded, Black ¹	8.10
13	941779 Hose Nut, P.D., Q.C., 2-pin Connector, Black ¹	11.80

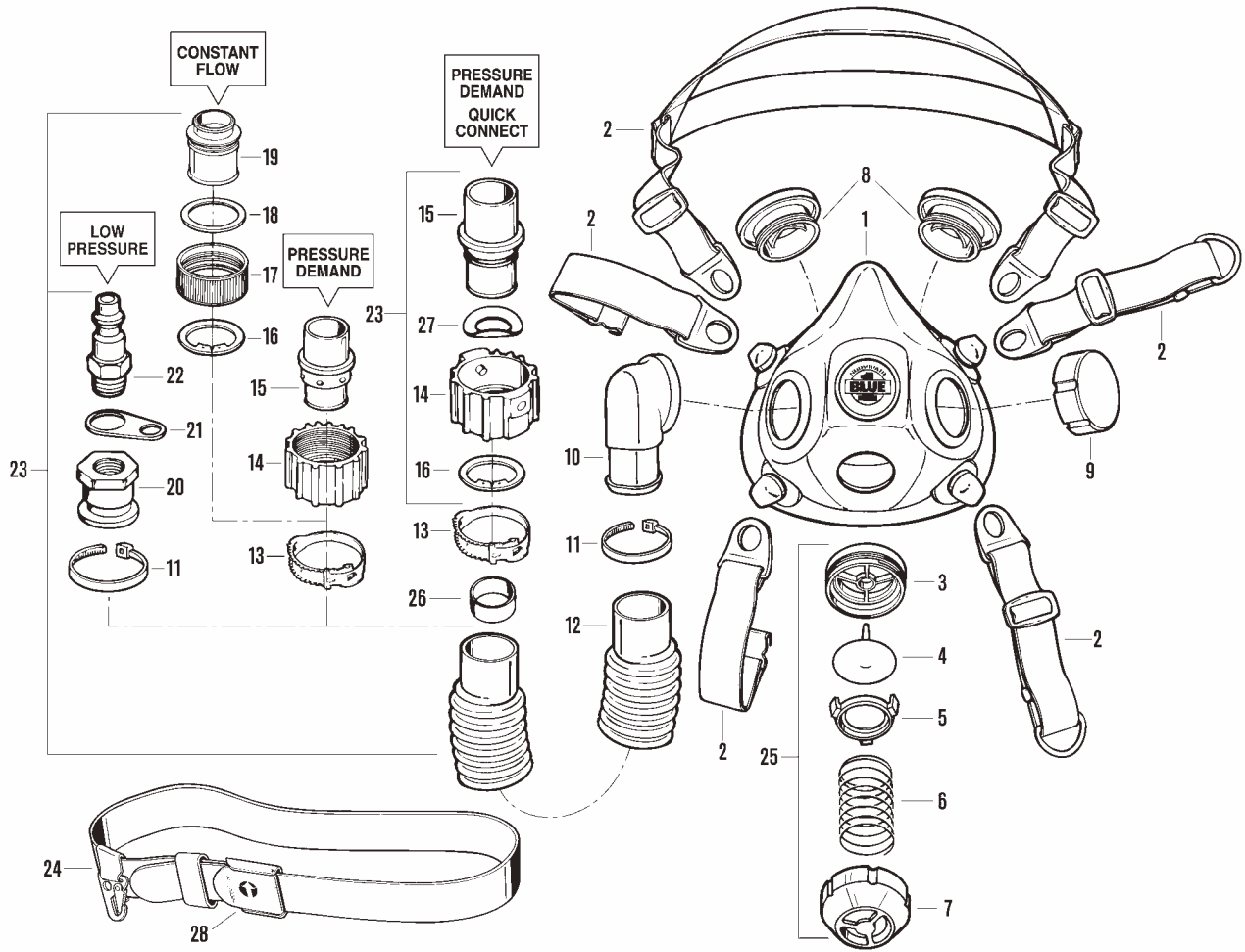
Part	Description	Price
14	941734 Sleeve Coupling, P.D. ¹	10.00
15	980074 Sleeve Coupling, P.D., Q.C. ¹	6.70
16	980082 Nozzle, P.D.	31.60
17	820031 O-ring	0.90
18	941759 Speaking Diaphragm	14.10
19	941729 Spring	8.10
20	941741 Exhalation Valve	12.90
21	940106 Nut, Metal (2 req.)	1.20
22	² Buckle	
23	² Hose Assy., P.D., Quick Connect (Incl. #'s 9, 10PD., 13, & 15)	
24	985043 Hose Assy., P.D. (Incl. #'s 9, 10PD., 12, & 14)	50.50
25	980084 Hose Insert (2 req.) ¹	1.60
26	980075 Spring Washer ¹	2.30
	940118 Protective Bag (Not Shown)	6.10
	² Metal Rim Kit (Not Shown)	
27	980072 Sleeve Assy., Industrial (Black)	26.70
	941872 Sleeve Assy., NFPA (Red)	27.40

Legend

¹ Not included in basic assembly.

² No longer available.

MARK 2 SAR Half Mask & Hose Assy. Continuous Flow & Pressure Demand (9813, 9816)



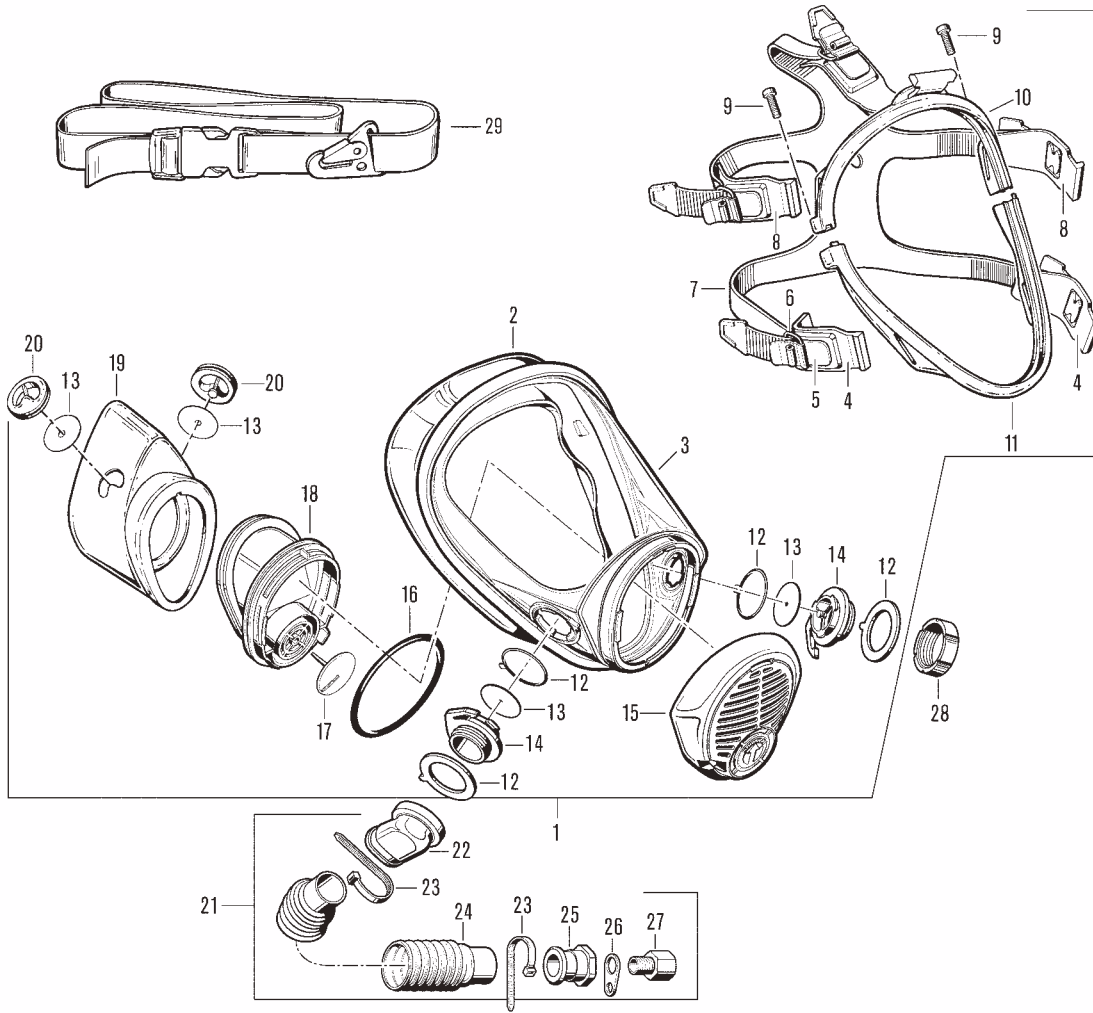
Part	Description	Price
1	Half Mask & Hose Assy. (Pressure Demand) (Discontinued)	
1	Half Mask & Hose Assy. (Continuous Flow) (Discontinued)	
1	B210012 Skirt, Half Mask, Small	14.80
	B220012 Skirt, Half Mask, Medium	14.80
	B230012 Skirt, Half Mask, Large	14.80
2	B140020 Elastic Head Band Assy. (Not Shown)	7.10
	B140040 Cradle Headband Assy.	7.10
3	985016 Exhalation Valve Seat (PD.)	4.80
	B260019 Exhalation Valve Seat (C.F.) (Not Shown)	1.50
4	B140003 Exhalation Valve (pkg. of 4 ea.) (C.F. & PD.)	11.00
	B140005 Exhalation Valve (pkg. of 4 ea.) (APR) (Not Shown)	11.00
5	940171 Spring Pad (PD.)	7.20
6	940157 Spring (PD.)	2.70
7	985015 Exhalation Valve Guard (PD.)	4.80
	B260018 Exhalation Valve Guard (C.F.) (Not Shown)	1.50
8	B140002 Threaded Connector (pkg. of 2)	2.00
9	985020 Cap	4.80
10	985017 Elbow	4.50
11	104918 Clamp	1.50
12	¹ Hose (PD., Q.C.)	
	985077 Hose (PD.) (Low Pressure)	18.20
	985078 Hose (C.F.)	17.50

Part	Description	Price
13	941732 Hose Clamp (PD., C.F.)	2.50
14	941733 Hose Nut (PD.), Threaded, Black	8.10
1	Hose Nut (PD., Q.C.), 2-pin Connector, Black	
15	941734 Sleeve Coupling (PD.)	10.00
	980074 Sleeve Coupling (PD., Q.C.)	6.70
16	925104 Retaining Ring (C.F., PD. Q.C.)	3.25
17	925103 Nut (C.F.)	10.10
18	845090 Flat Gasket (C.F.)	0.90
19	925102 Connector (C.F.)	10.10
20	985223 Adapter (C.F.) (Low Flow)	12.50
21	985224 Clip (Low Flow)	2.25
22	985247 Plug, OBAC (Low Flow)	5.60
23	¹ Hose Assy. (PD., Q.C.)	
	985043 Hose Assy. (PD.) (Incl. #'s 12 - 15)	50.50
	985044 Hose Assy. (C.F.) (Incl. #'s 12, 13, 16 - 19)	50.50
	985221 Hose Assy. (L.P.) (Incl. #'s 11, 12, 20 - 22)	46.00
	940118 Protective Bag (Not Shown)	6.10
24	985231 Belt	26.00
25	Z985011 Exhalation Valve Assy., Pressure Demand	22.00
26	980084 Hose Insert	1.60
27	980075 Spring Washer	2.30
28	985235 Buckle	3.60

Legend

¹ No longer available.

Opti-Fit SAR Full Facepiece & Hose Assembly, Continuous Flow (9814)



Part	Description	Price
981400	Opti-Fit SAR, Full Facepiece, Small, Rubber Breathing Tube ¹	193.80
981401	Opti-Fit SAR, Full Facepiece, Medium, Rubber Breathing Tube ¹	193.80
981403	Opti-Fit SAR, Full Facepiece, Large, Rubber Breathing Tube ¹	193.80
981404	Opti-Fit SAR, Full Facepiece, Small, Plastic Breathing Tube ¹	193.80
981405	Opti-Fit SAR, Full Facepiece, Medium, Plastic Breathing Tube ¹	193.80
981406	Opti-Fit SAR, Full Facepiece, Large, Plastic Breathing Tube ¹	193.80
1	752001 Facepiece Assembly, Small	71.00
	762001 Facepiece Assembly, Medium	71.00
	772001 Facepiece Assembly, Large	71.00
2	962157 Skirt, Small, Black (Incl. #'s 2 - 20)	59.70
	962167 Skirt, Medium, Black (Incl. #'s 2 - 20)	59.70
	962177 Skirt, Large, Black (Incl. #'s 2 - 20)	59.70
3	702007 Lens, APR	31.60
4	702012 Buckle Strap, Long (3 req.)	1.50
5	702011 Buckle (5 req.)	1.00
6	702008 D-ring (5 req.)	0.50
7	702009 Headstrap	5.50
8	702016 Buckle Strap, Short (2 req.)	1.50
9	839102 Screw (2 req.)	1.10
10	962031 Rim, Upper	10.50
11	962037 Rim, Lower	10.50
12	702006 Twin Seal ² (2 req.)	1.30
13	B140001 Inhalation Valve (pkg. of 6)	3.90
14	702002 Connector, Threaded	1.70
15	702004 Nozzle Cover	3.90
16	820261 O-ring	5.30

Part	Description	Price
17	B140005 Exhalation Valve (pkg. of 6)	11.00
18	702003 Nozzle	3.90
19	702023 Nose Cup	12.10
20	962090 Valve Holder (2 req.)	1.60
21	981384 Breathing Tube Assembly, Rubber (Shown)	42.00
	981372 Breathing Tube Assembly, Plastic ³	22.70
22	985017 Elbow	4.50
23	104918 Clamp, Cable Tie	1.50
24	985077 Hose	18.20
25	985223 Adapter	12.50
26	985224 Hose Clip	2.25
27	930555 Adapter (Male to Female)	2.80
28	985020 Cap	4.80
29	981715 Belt	5.70

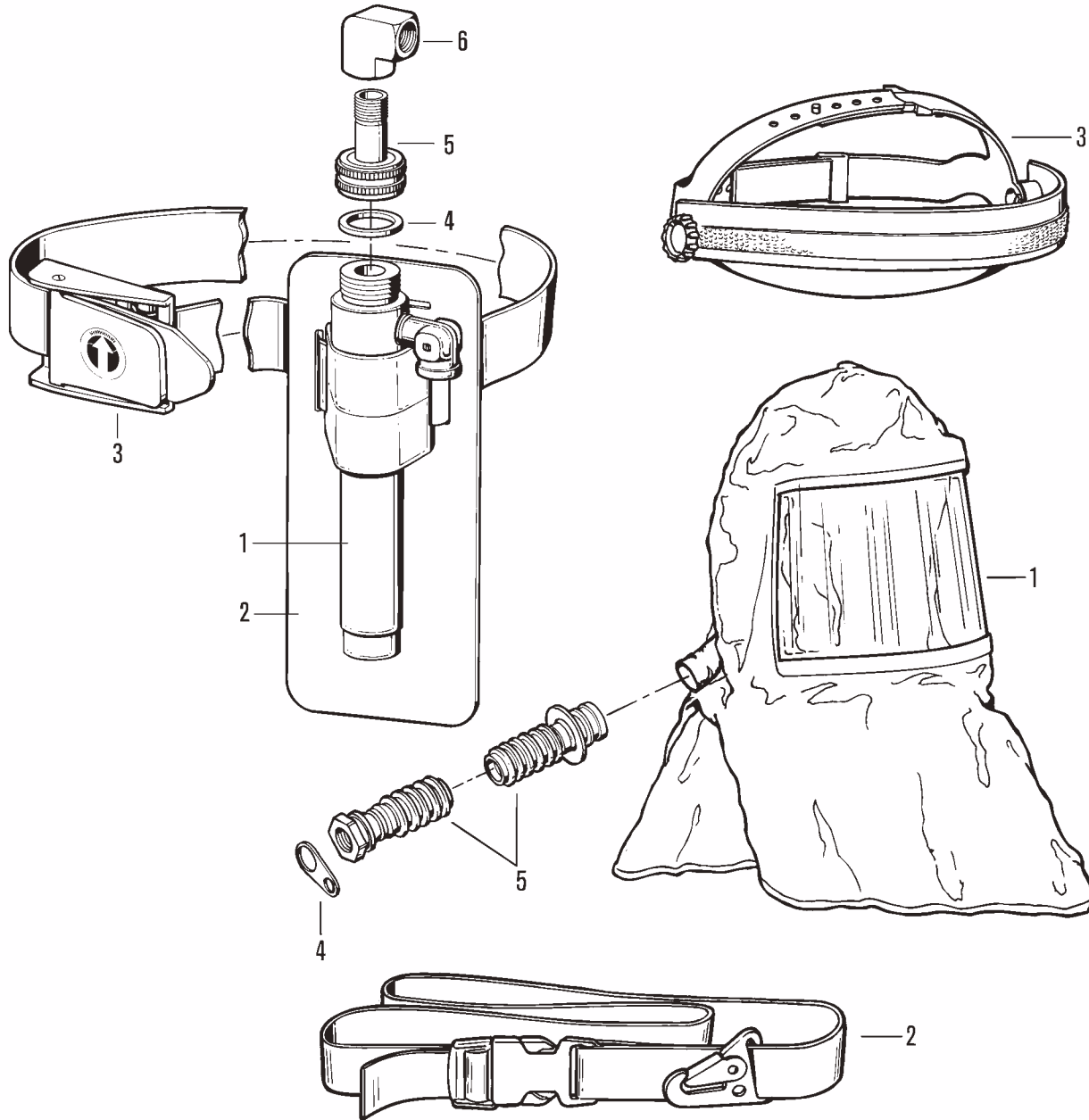
KITS

981415	Conversion Kit, APR to SAR (Plastic Hose)	101.00
981416	Conversion Kit, APR to SAR (Rubber Hose)	122.40

Legend

- ¹ These part numbers reflect top level assemblies, which include facepiece, breathing tube, and belt.
- ² Carefully separate the twin seal into halves. Place the smaller half into the side port o-ring groove in the lens, item 3. Place the larger half onto the threaded connector, item 14.
- ³ A detailed parts breakdown is not available for this hose assembly. Due to leak test requirements, this hose is sold as a final assembly only.

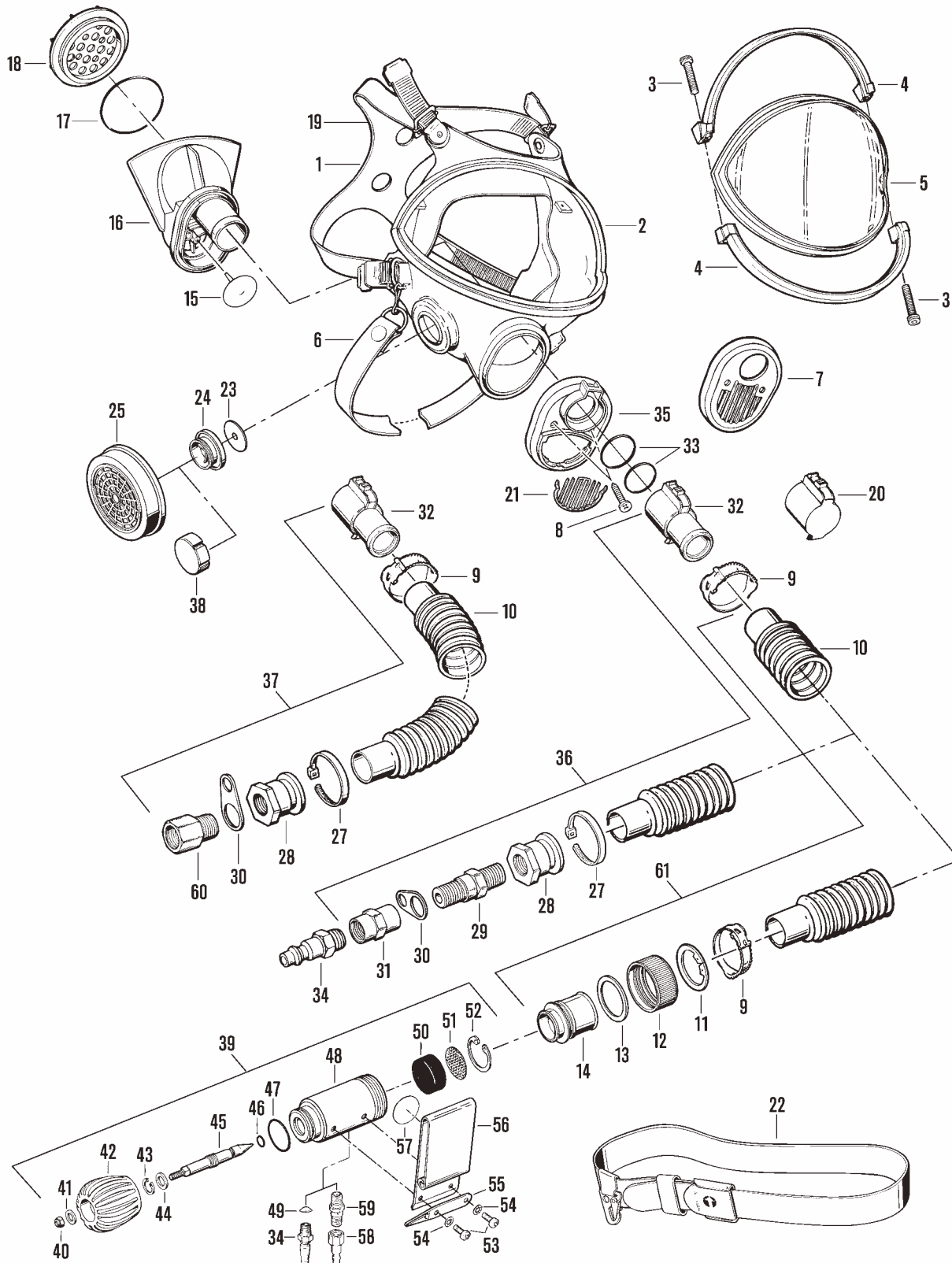
Low Pressure SAR, Full Hood, Continuous Flow (9818)



Part	Description	Price
1	981812 Full Replacement Hoods, Knit Collar (3 ea.)	59.20
2	981715 Belt	5.70
3	981815 Standard Suspension	12.90
4	985224 Hose Clip	2.25
5	981725 Breathing Tube	22.50
Optional Accessories (Not Shown)		
	981813 Chin Strap	28.60
	981814 Hard Hat Strap	8.20
	981818 Ratchet Suspension	14.30
	981720 Clear Peel-away Polyester Lens Covers (10 ea.)	15.30

Part	Description	Price
981847 Vortex Air Cooler Assembly		203.00
1	981848 Vortex Air Cooler	105.00
2	981845 Heat Shield	19.90
3	B520050 Belt Assembly	20.60
4	981851 Washer	0.90
5	981849 Swivel Connector	5.50
6	981850 Elbow	3.50

**MARK 2 SAR Full Facepiece & Hose Assy.
 Continuous Flow & Controller & Continuous Flow w/P100
 (9812)**



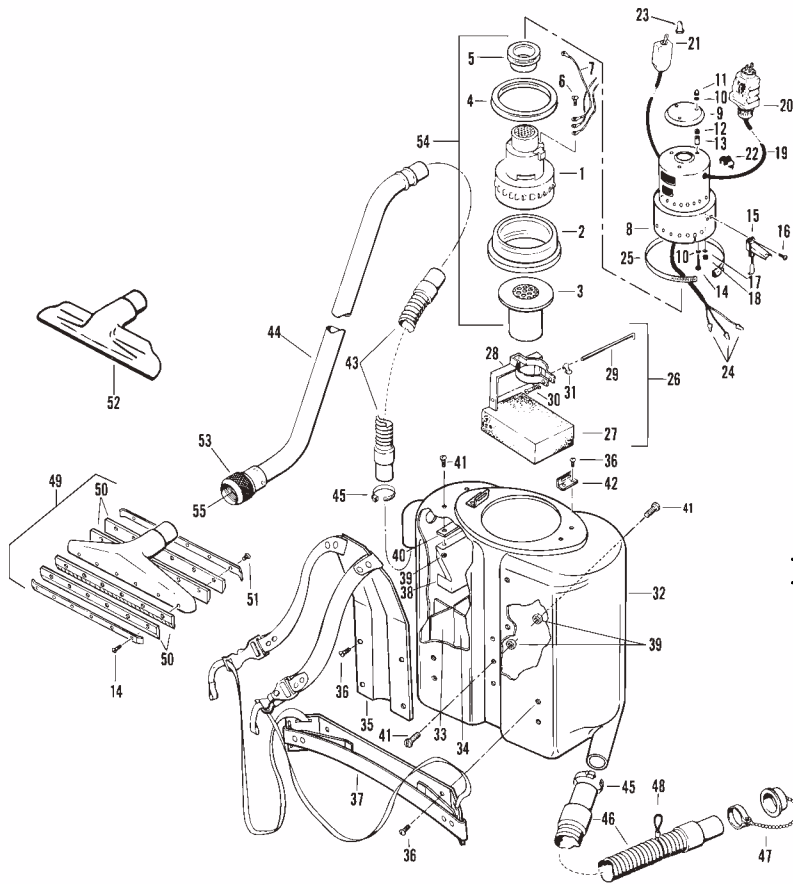
MARK 2 SAR Full Facepiece & Hose Assy. Continuous Flow & Controller & Continuous Flow w/P100 (9812)

Part	Description	Price	Part	Description	Price
420010	Facepiece	172.10	35	B520039 Nozzle Cover, Interchange (use w/#32)	6.60
1	941723 Headstrap	44.40	36	981206 Hose Assy. (Incl. #'s 9, 10, & 27 - 32)	99.70
	968424 Headstrap, 5-Strap, Black	44.40	37	981207 Hose Assy. (Incl. #'s 9, 10, 27, 28, 30, 32, & 60)	53.60
	961094 Headstrap, 5-Strap, Blue	41.20	38	985020 Cap	4.80
2	B410002 Skirt, Small, Blue, 4-Strap	126.30	39	¹ Controller	
	B420002 Skirt (9812), Standard, Blue, 4-Strap	126.30	40	854002 Lock Nut	1.00
	¹ Skirt, Small, Blue, 5-Strap		41	956510 Washer	1.00
	B420081 Skirt, Standard, Blue, 5-Strap	126.30	42	52541 Handwheel	11.30
	420003 Skirt, Standard, Black, 5-Strap	126.30	43	863051 Retaining Ring	5.20
	410003 Skirt, Small, Black, 5-Strap	126.30	44	956512 Washer	1.00
3	839102 Screw (2 req.) (use with plastic rims)	1.10	45	985002 Needle Valve	29.30
4	941280 Lens Retainer (2 req.)	13.50	46	820006 O-ring	0.90
5	941802 Lens	38.40	47	820018 O-ring	0.90
6	940135 Strap Assy., SAR	12.20	48	985001 Body	29.80
7	B420009 Nozzle Cover (Old style; use with #'s 9 & 10), C.F.	6.80	49	985008 Inlet Filter	1.60
8	955805 Screw (2 req.)	1.50	50	985005 Muffler	1.00
9	941732 Hose Clamp	2.50	51	985004 Retainer	2.00
10	985077 Hose, C.F.	18.20	52	863093 Retaining Ring	4.00
	985044 Hose Assy., C.F. w/P100	50.50	53	836009 Screw (2 req.)	1.50
11	925104 Retaining Ring, C.F., P.D. Q.C.	3.25	54	956604 Lock Washer (2 req.)	0.90
12	925103 Nut, C.F.	10.10	55	985076 Detent	26.00
13	845090 Flat Gasket, C.F.	0.90	56	985047 Belt Clip	22.60
14	925102 Connector, C.F.	10.10	57	¹ Decal	
15	B140003 Exhalation Valve, C.F. (pkg. of 4)	11.00	58	930432 Foster plug (used with #39 - 985049)	5.70
16	980083 Nozzle, C.F. only (420000 Mask)	22.00		930439 Schrader plug (used with #39 - 985049)	9.80
	980081 Nozzle, Interchange (420010 Mask)	22.00		940118 Protective Bag (Not Shown)	6.10
17	820031 O-ring	0.90		981205 Hose Conversion Kit, SAR (use with #35)	110.90
18	941759 Speaking Diaphragm	14.10		981209 Hose Conversion Kit, SAR w/P100 (use with #35)	120.80
19	¹ Buckle		59	960123 Check Valve	26.30
20	420020 APR Conversion Cap	3.70	60	930555 Adapter (male to female)	2.80
21	B420008 Grill	5.70	61	¹ Hose Assy., C.F., use with #39 (Incl. #'s 9 - 14)	
22	985231 Belt	26.00			
23	B140001 Inhalation Valve (pkg. of 6)	3.90			
24	B140002 Threaded Connector (pkg. of 2)	2.00			
25	105005 P100 Filter (pkg. of 10)	38.50			
26	Deleted				
27	104918 Clamp	1.50			
28	985223 Adapter	12.50			
29	981216 Check Valve	38.00			
30	985224 Hose Clip	2.25			
31	930553 Adapter w/P100	2.40			
32	420023 Hose Quick Connect	5.60			
33	824014 O-ring (2 req.)	1.00			
34	930429 Quick Connect, Foster	5.60			
	930433 Quick Connect, Schrader	9.50			
	930466 Quick Connect, Hansen	9.60			

Legend

¹ No longer available.

Salvage-Master®



**Your
Fire Departments
Best
Public Relations
Tool**

Part	Description	Price
970200	Salvage-Master®	1425.00
1	970242 Motor	255.00
2	970004 Motor Gasket, Lower	44.40
3	970015 Flange & Screen Assy.	24.10
4	970230 Motor Gasket, Upper	30.60
5	970241 Air Intake Gasket	6.80
6	832002 Screw, #10 x 9/16"	1.50
7	Deleted	
8	970009 Motor Housing	105.00
9	970011 Air Intake Cover	19.00
10	956604 Lock Washer #8 (6 req.) ¹	0.90
11	940106 Acorn Nut #8-32 (3 req.)	1.20
12	956029 Nut, Plain, #8-32 (3 req.)	1.30
13	970080 Spacer (3 req.)	2.40
14	955037 Screw, #8-32 (3 req.)	1.30
15	970014 Catch (2 req.)	18.50
16	955016 Screw, #6 x 1/4" (4 req.)	1.30
17	956603 Lock Washer #6 (4 req.)	0.90
18	956028 Nut, Plain, #6-32 (4 req.)	1.30
19	970086 Wire Assy.	96.00
20	970085 GFI	197.00
21	970256 Switch Assy.	133.00
22	970243 Strain Relief Bushing	2.10
23	970022 Toggle Boot	8.40
24	970006 Connector (3 req.)	2.40
25	970013 Clamp	6.60
26	970237 Bracket & Float Assy. (Contains #'s 27 - 31)	69.10
27	970208 Float	16.80
28	970205 Bracket	47.10
29	970222 Retainer Wire	9.00
30	833019 Screw, #10	1.30

Part	Description	Price
31	81809 Wing Nut #10-32	1.50
	970217 Tank Assy. (Incl. #'s 32 - 42)	391.00
32	970244 Tank	172.00
33	970247 Splash Baffle (2 req.) ¹	14.00
	970209 Splash Baffle (2 req.) ²	11.70
34	970249 Partition Baffle (2 req.)	10.00
35	970219 Upper Bracket Assy. (Order w/Lower Bracket Assy., #37)	73.50
36	955049 Screw, #10-24 x 5/16" (12 req.)	1.30
37	970218 Lower Bracket Assy. (Order w/Upper Bracket Assy., #35)	60.00
38	970202 Tank Baffle	40.80
39	956030 Nut (2 req.)	0.90
40	970207 Gasket	2.90
41	955053 Screw #10-24 x 5/8" (2 req.)	1.30
42	970206 Motor Clip (2 req.)	10.00
43	970215 Intake Hose (44 inches)	46.40
44	970032 Wand Assy. (Incl. #'s 53 & 55)	96.00
45	970240 Clamp (2 req.)	2.90
46	970216 Disposal Hose (26.25 inches)	44.10
47	970040 Cap Assy.	23.00
48	970064 Hose Retainer Assy.	3.00
49	970033 Squeegee Assy.	100.00
50	970034 Rubbers (Set of 4)	58.00
51	955037 Screw, #8-32 x 5/8" (12 req.) ¹	1.30
52	970052 Carpet Adapter (Optional)	75.00
53	970036 Nut, Plastic	20.00
54	970246 Motor Assy. (contains #'s 1 - 25)	744.00
55	970035 Snap Assy. (Old Model with metal nut)	2.70
	970220 Disposal Hose Assy. (contains #'s 46 - 48)	50.50

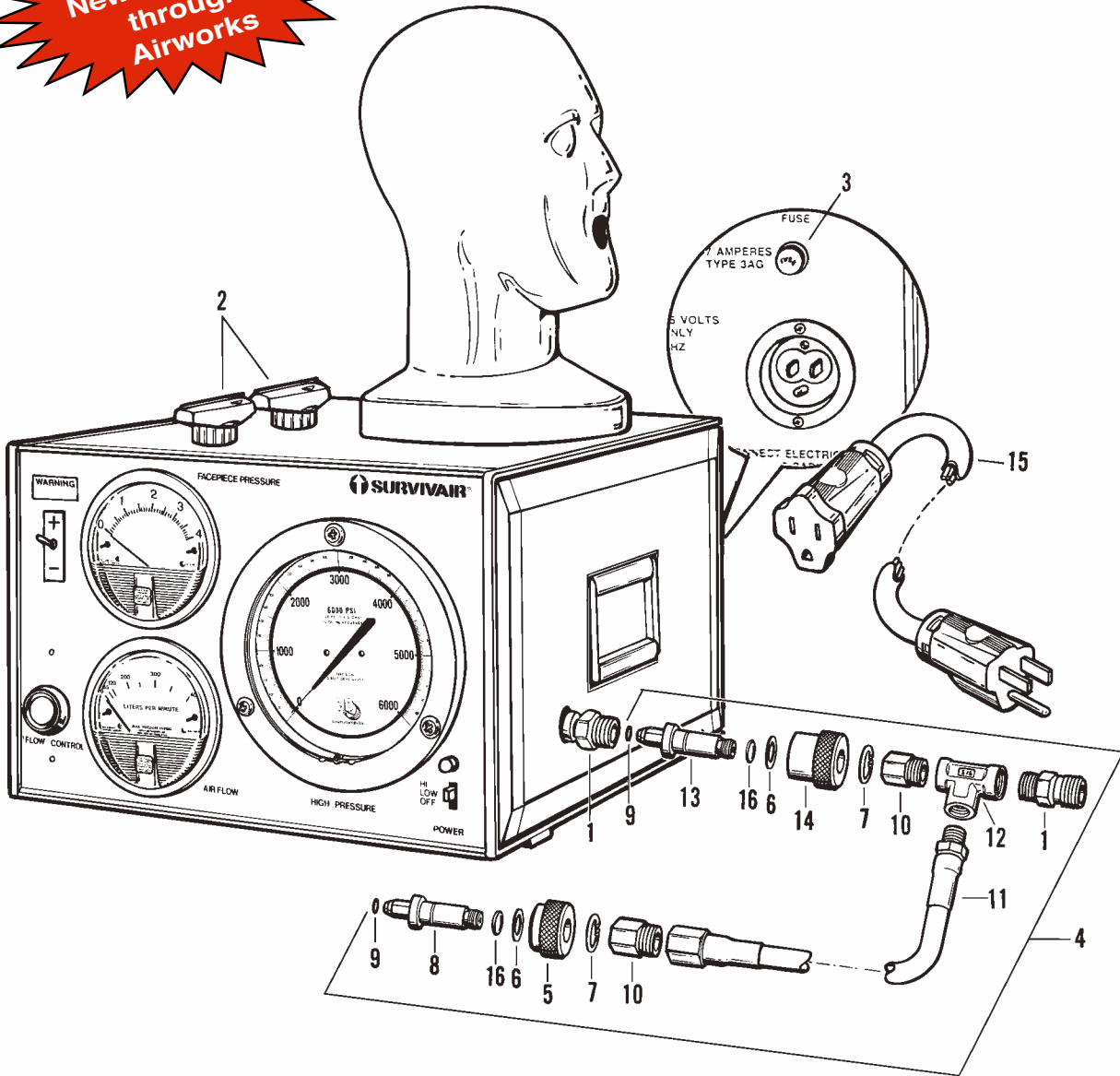
Legend

¹ Used on units made after 10/1/75.

² Used on units made before 10/1/75.

**Portable Test Console
(9057)
(Discontinued)**

**Upgrade to a
New Posichek3
through
Airworks**



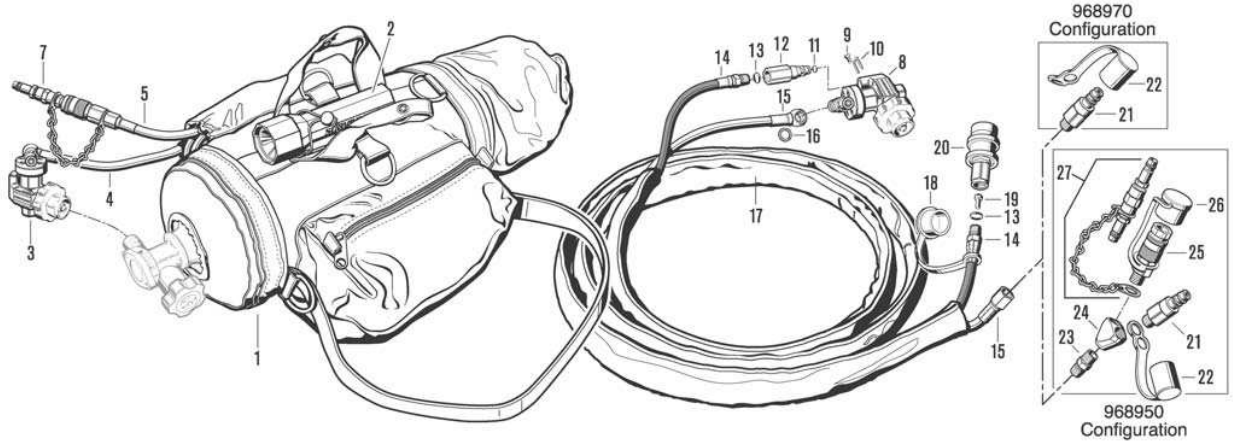
Part	Description	Price
1	Portable Test Console (Discontinued)	
1	935015 Inlet Fitting	35.90
2	1 Handles	
3	1 Fuse, 7 amp	
4	1 Hose Assy. (Incl #'s 1, 5 - 14)	
5	960689 Handwheel (L.P.)	26.00
6	930132 Bearing (2 ea.)	1.50
7	860056 Retaining Ring (2 ea.)	1.90
8	960678 Nipple (L.P.)	21.40
9	95721010 O-ring (2 ea.) (Pkg. of 10)	9.00
10	905752 Adapter (2 ea.)	18.20
11	1 Hose	
12	905728 Tee	13.10

Part	Description	Price
13	960629 Nipple (H.P.)	42.10
14	912430 Handwheel (H.P.)	23.00
15	1 Power Cord	
	905770 Leak Test Fixture Kit (Not Shown)	63.00
	1 Portable Test Console Upgrade ²	
	Shipping Carton & Foam (Not Shown) ³	
16	95702410 O-ring (Pkg. of 10)	9.00

Legend

- ¹ No longer available.
- ² Portable Test Console upgrade: 0 to 4 inch Magnahelic; POSITIVE/NEGATIVE switch; and Warning Label. Call SURVIVAIR Customer Service for information.
- ³ Call SURVIVAIR Customer Service for ordering information.

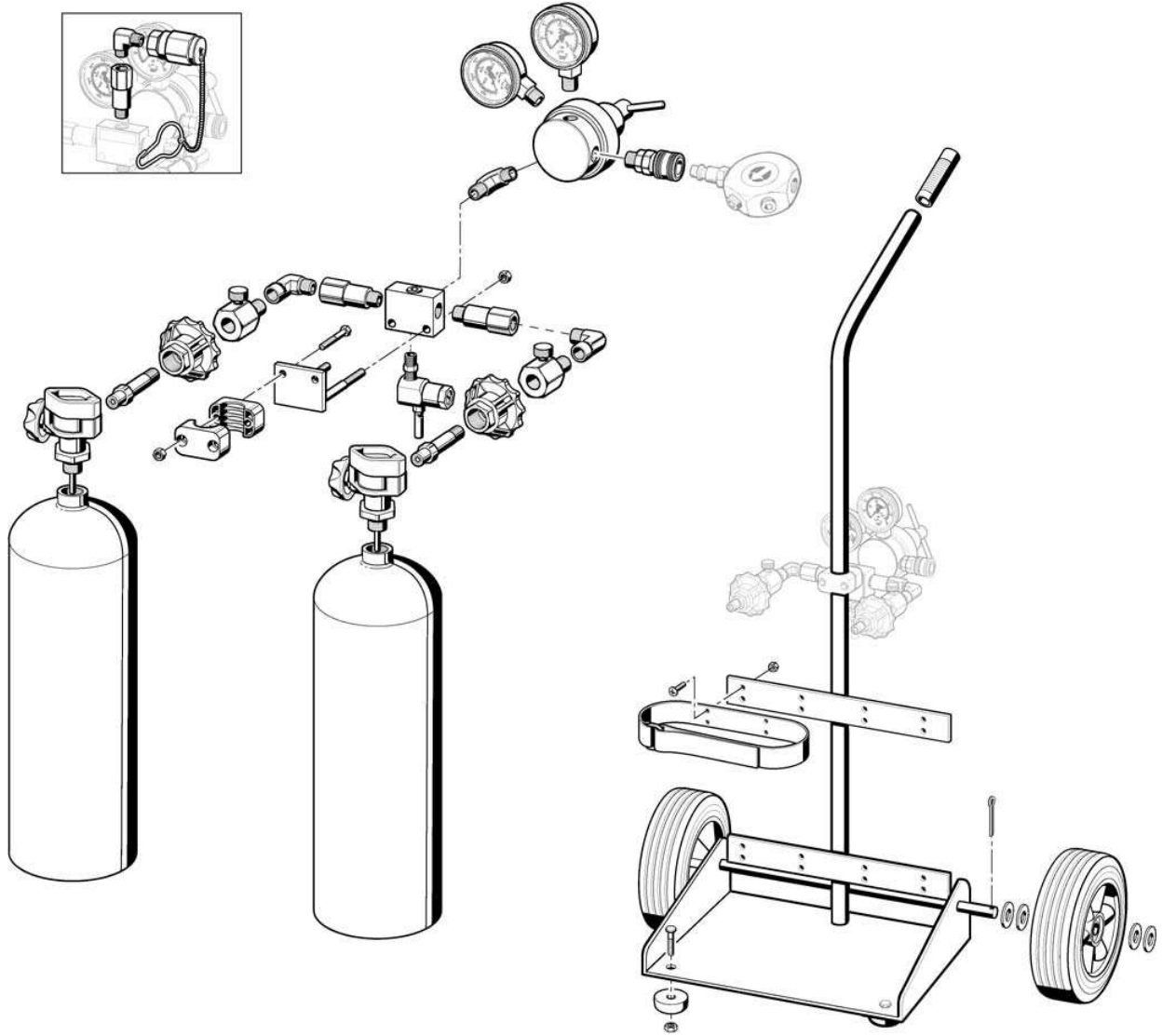
Rapid Intervention Team (RIT) Kit (9646) Rapid Intervention Crew/Universal Air Connection (RIC-UAC) Kit (9689)



Part	Description	Price
964610	Rapid Intervention Team (RIT) Kit, Complete (Includes bag, pneumatics, and flashlight; no cylinder or cylinder valve), for 1997-compliant Panthers only.	650.00
1	964611 Rapid Intervention Team (RIT) bag only (Does not include cylinder nor cylinder valve)	230.00
2	964618 Flashlight	35.00
3	964612 Regulator (See Panther High Pressure Regulator, page 22 for parts breakdown.)	450.00
4	864150 Retaining Ring (Not Shown)	1.90
5	964614 Hose Assembly, 20 Foot Length with Female/Double Male Fitting	93.00
6	964619 Tool Pouch (Not Shown)	20.00
7	Z964613 Adapter Assembly (Male-to-Male) w/Chain	22.00

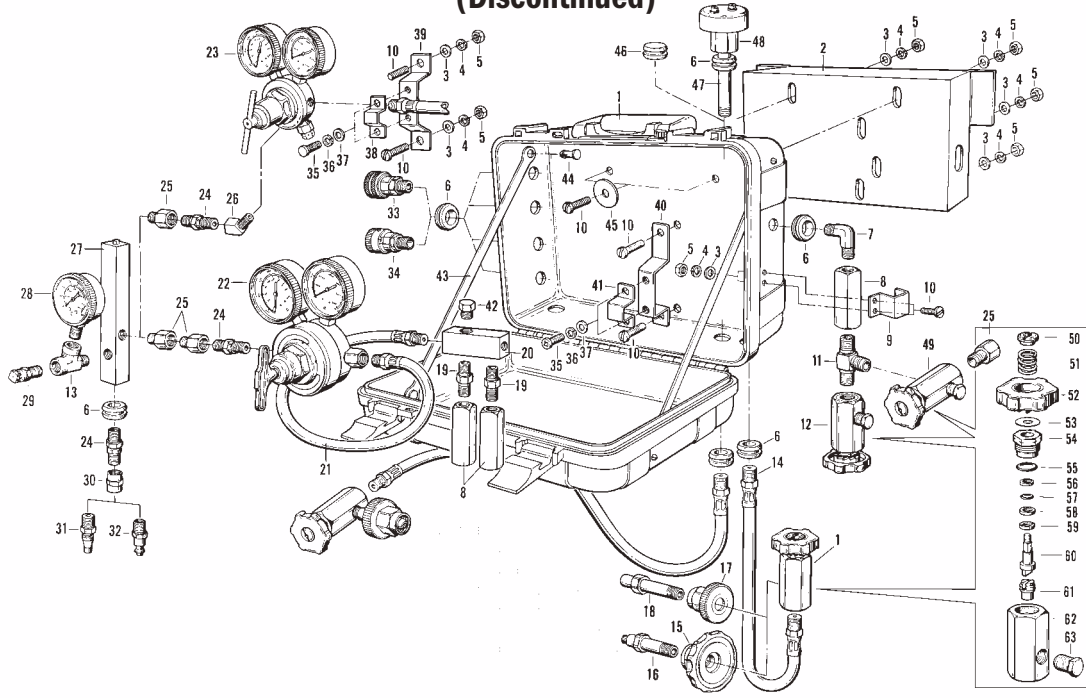
Part	Description	Price
968950	UAC Rapid Intervention Kit (Includes bag, pneumatics, and flashlight; no cylinder or cylinder valve), for 2002 NFPA-compliant Panthers Only; includes 10-ft. intermediate pressure hose with male fitting with shutoff, and 10-ft. high pressure hose for RIC UAC fitting (Not Shown)	1285.00
968970	Universal UAC Rapid Intervention Kit (Includes bag, pneumatics, and flashlight; no cylinder or cylinder valve), for 1997 & 2002 NFPA-compliant Panthers; includes 10-ft. intermediate pressure hose with male fitting with shutoff, and 10-ft. high pressure hose for RIC UAC fitting (Not Shown)	1355.00
968955	Pneumatics for the 968950	1055.00
968918	Pneumatics for the 968970	1125.00
1	968956 Rapid Intervention Team (RIT) Bag Only for UAC Kit Style (Does not include cylinder or cylinder valve) (Not Shown)	230.00
2	964618 Flashlight	35.00
8	961193 Regulator (See Panther high pressure regulator, page 22, for parts breakdown) (Not Shown)	513.00
9	830024 Screw	0.90
10	910078 Staple	1.50
11	824007 O-ring	1.50
12	968948 Adapter, Hose to Regulator	82.00
13	957034 O-ring	1.50
14	961288 Hose Assembly, High Pressure, 10 ft.	311.00
15	968945 Hose Assembly, Low Pressure, 10 ft.	39.00
16	864150 Spiral Ring	1.90
17	H968952 Hose Sleeve	23.00
18	961442 Dust Cap	18.40
19	961412 Piston, Directional Flow Control	20.90
20	961443 Female Coupling, H.P.	265.00
21	965113 Plug, Double Shutoff	15.00
22	965132 Dust Cap	30.00
23	961145 Adapter, 1/4" Pipe Thread	3.40
24	961721 "Y" Adapter	54.50
25	961143 Coupler	60.00
26	960694 Dust Cap	7.10
27	Z964613 Adapter Assembly, Male-to-Male, w/Chain	22.00
28	968699 Bleed Valve, L.P., In-line (Not Shown)	40.00
29	961145 Fitting (Not Shown)	3.40

**Air Cart II (Produced After 10/00)
(7312)**



Part	Description	Price	Part	Description	Price
731200	Air Cart, Low Pressure, 2216/3000 psig, without Cylinders or Couplings	1450.00	731240	High Pressure Bypass for 2216/3000 psig Unregulated Air Source (Not Shown)	90.00
731250	Air Cart, High Pressure, 4500 psig, without Cylinders or Couplings	1450.00	731245	High Pressure Bypass for 4500 psig Unregulated Air Source (Not Shown)	240.00

**Air Cart Case and Manifold Assy. (Produced Prior to 9/00)
(7310)
(Discontinued)**



Part	Description	Price
1	Case & Manifold Assy., L.P., Foster	
1	Case & Manifold Assy., L.P., Schrader	
1	Case & Manifold Assy., H.P., Foster	
1	Case & Manifold Assy., H.P., Schrader	
1	731052 Case	250.00
2	1 Mounting Plate	
3	845099 Washer	0.90
4	847011 Lock Washer	0.90
5	852028 Nut	0.90
6	830602 Grommet	3.20
7	731073 Elbow	7.10
8	731031 Check Valve	39.40
9	731135 Check Valve Bracket	6.20
10	838037 Screw	0.90
11	731128 Tee	11.20
12	1 Bleed Valve	
13	1 Tee	
14	731041 Hose, H.P.	34.70
15	731037 CGA 346 Handwheel	20.90
16	731038 CGA 346 Nipple	8.40
	1 Soft Tip (Replacement) (Not Shown)	
17	1 CGA 347 Handwheel	
18	1 CGA 347 Nipple	
	731093 Retaining Screw (Replacement) (Not Shown)	16.20
	731094 O-ring (Replacement) (Not Shown)	3.10
19	1 Hex Nipple	
20	1 H.P. Manifold	
21	731041 Manifold Hose, H.P.	34.70
22	731030 H.P. Regulator	388.00
23	1 L.P. Regulator	
24	981216 Check Valve	38.00
25	930555 Connector	2.80
26	731040 45° Elbow	5.00
27	1 L.P. Manifold	
28	1 Gauge, 0 to 200 psi	
29	1 Bleed Valve	
30	930554 Adapter	7.60

Part	Description	Price
31	930433 Schrader Plug	9.50
32	930429 Foster Plug	5.60
33	930424 Foster Coupling	25.00
34	930437 Schrader Coupling	28.10
35	839519 Screw	0.90
36	845057 Lock Washer	0.90
37	847013 Washer	2.50
38	1 Bracket, L.P., Upper	
39	1 Bracket, L.P., Lower	
40	731144 Bracket, H.P., Upper	24.10
41	731143 Bracket, H.P., Lower	30.70
42	731032 H.P. Plug	1.90
43	731024 Lid Strap	1.50
44	731025 Push-in Fastener	0.90
45	845097 Fender Washer	1.50
46	873005 Cap Plug	0.90
47	731107 Alarm Connector ²	92.40
48	731071 Alarm (See Audible Alarm, L.P. & H.P., page 55 herein, for parts breakdown) ²	197.00
49	731091 In-line Valve Assy.	145.00
50	52518 Handwheel Nut	2.70
51	50107 Spring	1.60
52	975038 Knob	7.10
53	845058 Washer	0.90
54	921015 Bonnet (Left Hand Thread)	6.70
55	82401310 O-ring (Pkg. of 10)	9.00
56	828510 Backup Ring	1.50
57	82401210 O-ring (Pkg. of 10)	9.00
58	921018 Washer (Stainless Steel)	1.50
59	921019 Washer (Blue Teflon)	3.40
60	052521 Stem	17.00
61	921014 Seat (Red)	8.70
62	731088 Body, Bleed Valve	77.00
	731089 Body, In-line Valve	95.00
63	930509 Plug	7.10
64	731110 Kit, Low Air Alarm (Incl. #'s 6, 47, & 48) ²	250.00

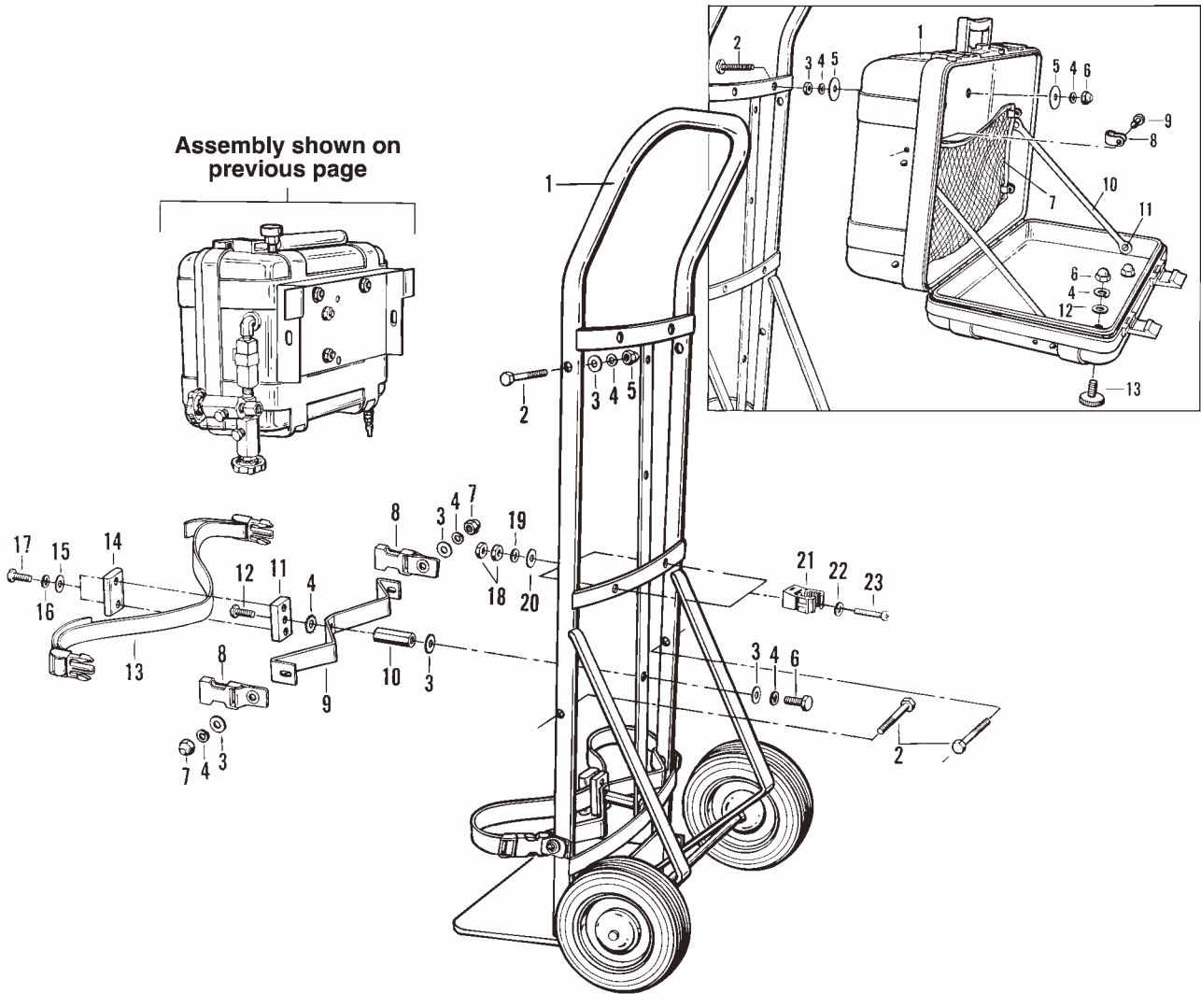
Legend
¹ No longer available.
² Not included in basic assembly.

**Air Cart (Produced Prior to 9/00)
(7310)
(Discontinued)**

Hand Truck

Accessory Case

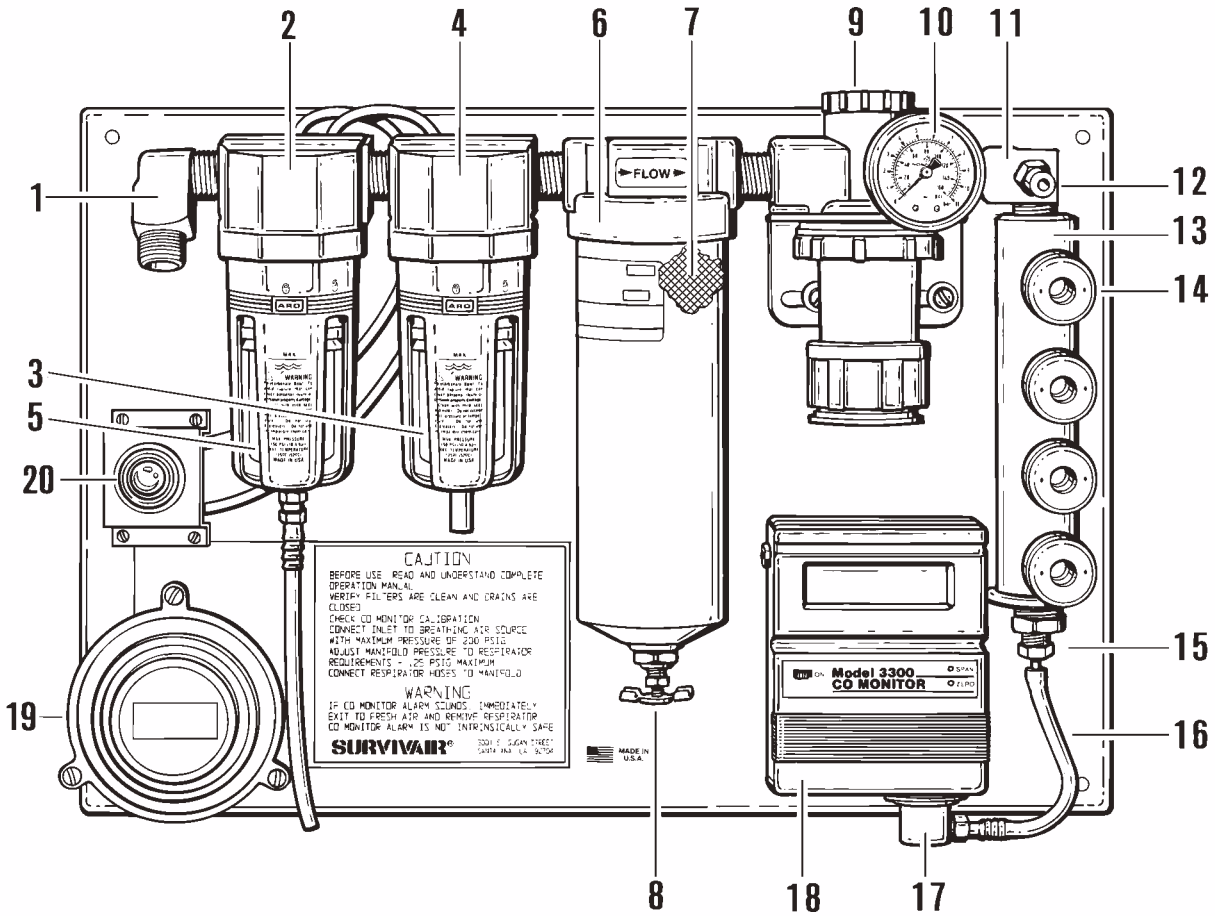
Assembly shown on previous page



Part	Description	Price
1	731048 Hand Truck	165.00
2	838035 Screw	0.90
3	845098 Washer	1.50
4	847011 Lock Washer	0.90
5	852028 Nut	0.90
6	839520 Screw	0.90
7	853004 Acorn Nut	1.50
8	731029 Cylinder Bracket Receptacle	5.70
9	731042 Cylinder Bracket	28.60
10	731130 Standoff	7.40
11	731141 Strap Clamp, Rear	25.10
12	830022 Screw	1.50
13	731138 Strap Assy.	25.80
14	731142 Strap Clamp, Front	25.10
15	845057 Washer	0.90
16	847013 Star Washer	2.50
17	839513 Screw	1.50
18	956028 Nut	1.30
19	846012 Lock Washer	0.90
20	845002 Washer	4.70

Part	Description	Price
21	731149 Hanger	2.40
22	956505 Washer	0.90
23	955022 Screw	3.50
24	731064/ Case & Manifold Assy. (See parts breakdown on page 73 herein.) 65/66/67	
731057 Air Cart Accessory Case Kit		315.00
1	731055 Case	282.00
2	836031 Screw	0.90
3	852030 Nut	0.90
4	847011 Lock Washer	0.90
5	845097 Fender Washer	1.50
6	853004 Acorn Nut	1.50
7	731114 Net	19.00
8	731115 Clamp	0.90
9	731039 Push-in Fastener, Small	0.90
10	731024 Lid Strap	1.50
11	731025 Push-in Fastener, Large	0.90
12	845051 Washer	0.90
13	731059 Thumb Screw	3.50
14	995215 SVA Logo Sticker (Not Shown), Placed on Front of Case	2.30

AirStation (Discontinued)



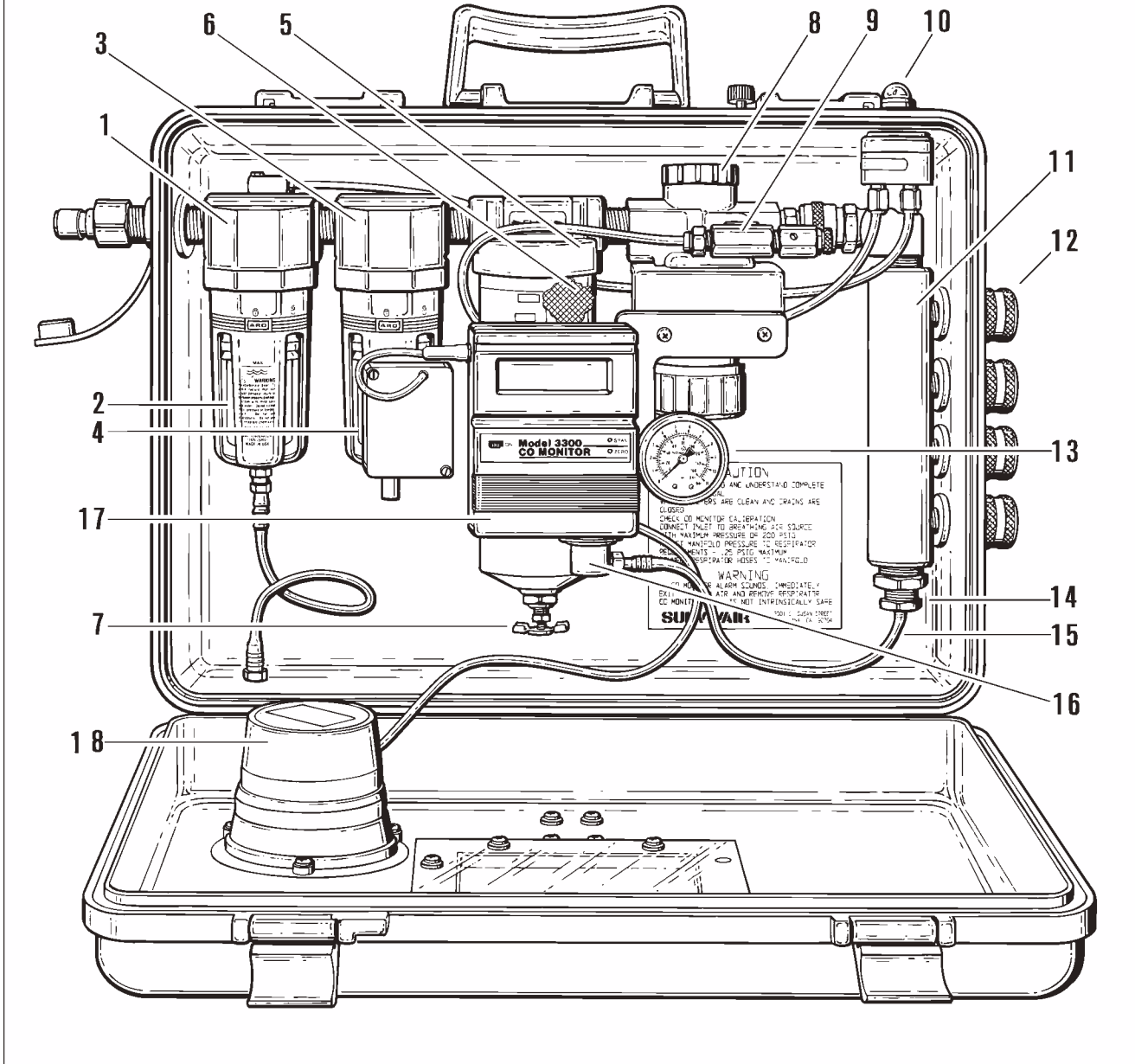
Part	Description	Price
1	AirStation Wall-Mounted Air Panel, Schrader Connections	
1	AirStation Wall-Mounted Air Panel, Hansen Connections	
1	AirStation Wall-Mounted Air Panel, Schrader Connections with High Intensity Alarm and Filter Change Indicator	
1	AirStation Wall-Mounted Air Panel, Hansen Connections with High Intensity Alarm and Filter Change Indicator	
1	730017 Elbow	15.00
2	730026 Prefilter Assembly without Ports	105.00
3	730006 Prefilter Element	12.00
4	730004 Coalescing Filter	105.00
5	730007 Coalescing Filter Element	57.00
6	730005 Charcoal Filter	110.00
7	730008 Charcoal Filter Element	30.00
8	730027 Filter Drain	6.00
9	730009 Pressure Regulator	59.00

Part	Description	Price
10	730014 Pressure Gauge	25.00
11	730016 Elbow, Air Panel	8.00
12	730013 Relief Valve	8.00
13	730018 Four-outlet Manifold	50.00
14	730037 Outlet, Schrader	15.00
	730039 Outlet, Hansen	9.00
15	730019 Flow Restrictor	18.00
16	730023 Tubing	1.80
17	730024 Air Flow Adapter	15.00
18	730036 Carbon Monoxide (CO) Monitor	820.00
19	730028 Filter Change Indicator (Optional)	150.00
20	730029 High Intensity Alarm (Optional)	195.00
KITS		
	730034 Filter Maintenance Kit	125.00
	730035 Carbon Monoxide (CO) Calibration Kit	385.00

Legend

¹ No longer available.

PortaStation (Discontinued)



Part	Description	Price
1	PortaStation Portable Air Panel, Schrader Connections	
1	PortaStation Portable Air Panel, Hansen Connections	
1	730003 Prefilter Assembly	120.00
2	730006 Prefilter Element	12.00
3	730004 Coalescing Filter	105.00
4	730007 Coalescing Filter Element	57.00
5	730005 Charcoal Filter	110.00
6	730008 Charcoal Filter Element	30.00
7	730027 Filter Drain	6.00
8	730009 Pressure Regulator	59.00
9	730013 Relief Valve	8.00
10	730028 Filter Change Indicator	150.00

Part	Description	Price
11	730018 Four-outlet Manifold	50.00
12	730037 Outlet, Schrader	15.00
	730039 Outlet, Hansen	9.00
13	730014 Pressure Gauge	25.00
14	730019 Flow Restrictor	18.00
15	730023 Tubing	1.80
16	730024 Air Flow Adapter	15.00
17	730036 Carbon Monoxide (CO) Monitor	820.00
18	730029 High Intensity Alarm	195.00
KITS		
	730034 Filter Maintenance Kit	125.00
	730035 Carbon Monoxide (CO) Calibration Kit	385.00

Legend

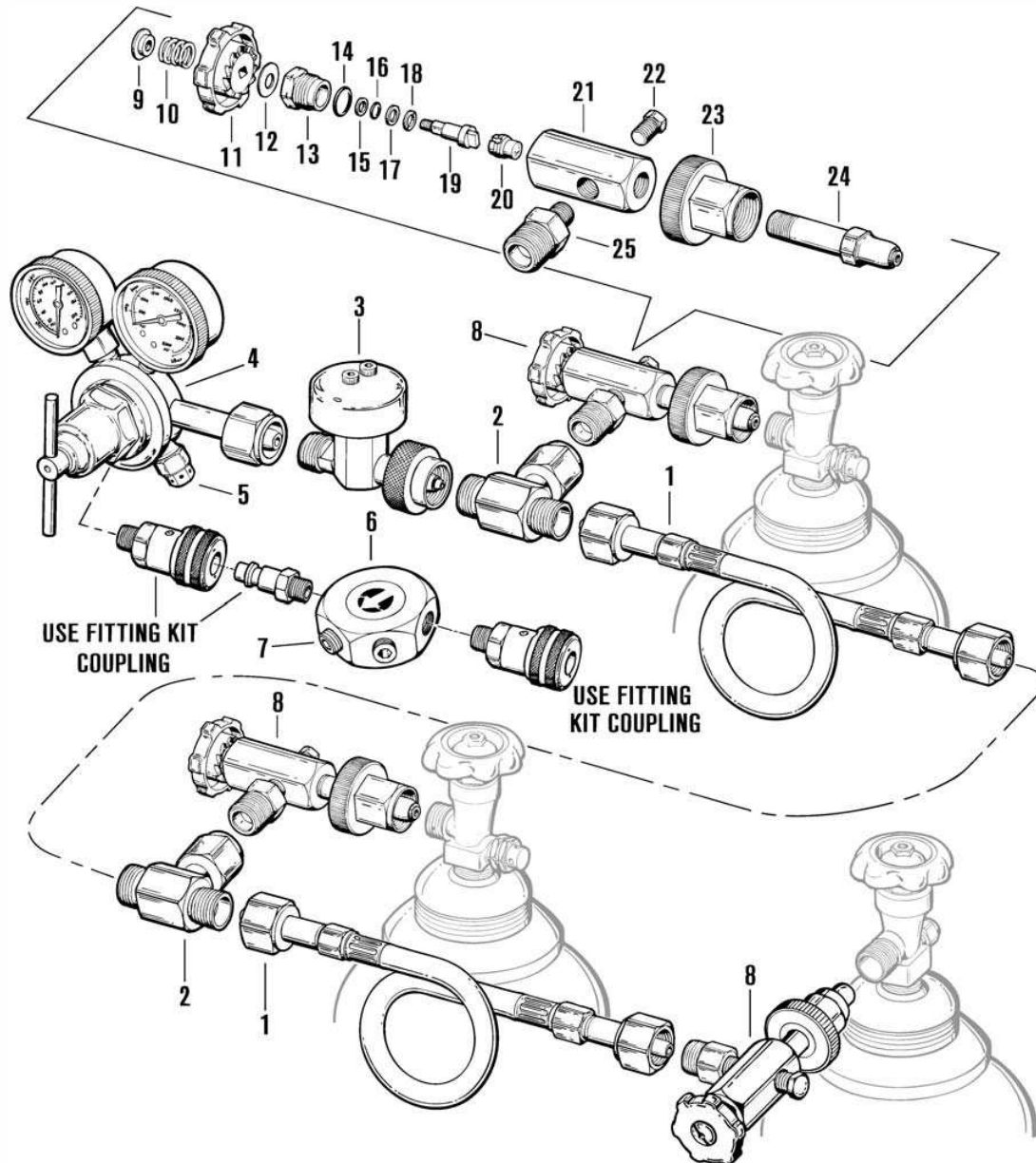
¹ No longer available.

Recommended Air Source Supplied Air Respirators & HIP-PACs

Buy Your
Large DOT Cylinders
from Airworks
Low Prices!!

A typical supplied air system consists of the following components:

1. Air source (either air storage cylinders or compressor).
2. Air purifier (required on all systems from an oil lubricated compressor capable of removing carbon monoxide).
3. Pressure reducing regulators, alarm devices, and relief valves where required.
4. Various lengths of hose and multiple outlet manifolds as required by work site and number of workers.
5. Supplied air respirators.
6. Appropriate safety devices as required by OSHA or local regulations.
7. DOT approved cylinders filled with Grade D breathing air.
8. Manifold (#6 below) should be connected directly to the regulator fitting, and each respirator hose connected to the manifold.
9. Regulator (#4) has a pressure input limit of 3000 psi for low pressure systems using CGA 346 connections, or 5500 psi for high pressure systems using CGA 347 connections and is capable of 0-200 psi output. Do not use this system to refill cylinders.



Supplied Air Accessories

Part	Description	Price
SUPPLIED AIR SYSTEM PARTS & ACCESSORIES		
1	731158 Hose, CGA 346 to CGA 346 (3000 psi maximum)	66.00
	731157 Hose, CGA 347 to CGA 347 (5500 psi maximum)	210.00
2	238010 Tee Connection, CGA 346 (3000 psi maximum)	46.50
	238009 Tee Connection, CGA 347 (5500 psi maximum)	161.00
3	960603 SAR Low Air (500 psi) Alarm, CGA 346, L.P. (3000 psi maximum)	270.00
	960642 SAR Low Air (500 psi) Alarm, CGA 347, H.P. (5500 psi maximum)	232.00
4	912005 Regulator w/out Couplings (3000 psi maximum)	240.00
	731020 Regulator w/out Couplings (5000 psi maximum)	387.00
5	960020 Relief Valve (Replacement Only)	33.10
6	960050 5-person Manifold w/out Couplings, Incl. #7 (6 pcs.)	97.40
7	960056 Plug (Replacement Only)	4.90
8	731012 Isolation or Bleed Valve, CGA 346 (3000 psi maximum)	285.00
	731013 Isolation or Bleed Valve, CGA 347 (5500 psi maximum)	330.00
9	052518 Handwheel Nut	2.70
10	050107 Spring	1.60
11	975038 Knob	7.10
12	845058 Washer	0.90
13	921015 Bonnet (left-hand thread)	6.70
14	82401310 O-ring (Pkg. of 10)	9.00
15	828510 Backup Ring	1.50
16	82401210 O-ring (Pkg. of 10)	9.00
17	921018 Washer (Stainless Steel)	1.50
18	921019 Washer (Blue Teflon)	3.40
19	052521 Stem	17.00
20	921014 Seat (Red)	8.70
21	731089 Body	95.00
22	930509 Plug	7.10
23	731086 Nut, CGA 346 (3000 psi maximum)	5.90
	731087 Nut, CGA 347 (5500 psi maximum)	34.70
24	961729 Nipple, CGA 346 (3000 psi maximum)	10.40
	961728 Nipple, CGA 347 (5500 psi maximum)	58.00
25	935015 Adapter	35.90

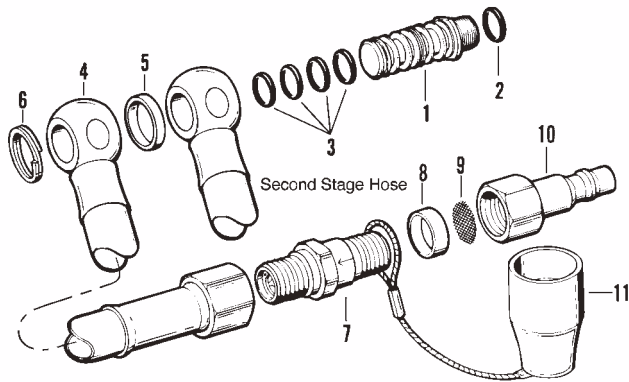
Part	Description	Price
HOSE		
LIGHTWEIGHT 3/8" HOSE		
930801	25 ft. Hose w/out Couplings	61.20
930802	50 ft. Hose w/out Couplings	93.80
930804	100 ft. Hose w/out Couplings	151.00
HIGH PERFORMANCE 3/8" HOSE		
930870	10 ft. Hose w/out Couplings	77.50
930861	25 ft. Hose w/out Couplings	127.50
930862	50 ft. Hose w/out Couplings	212.20
930864	100 ft. Hose w/out Couplings	351.90
985220	Gasket 3/8" Hose	1.00
985238	Fitting, Double Male	2.50
AIR LINE COUPLING KITS		
930810	FOSTER Kit (1 ea. male and female)	29.60
930424	Female Coupling	25.50
930429	Male Plug	5.60
930820	SCHRADER Kit (1 ea. male and female)	34.20
930437	Female Coupling	28.10
930433	Male Plug	9.50
930830	HANSEN Kit (1 ea. male and female)	34.20
930465	Female Coupling	28.60
930466	Male Plug	9.60
930840	OBAC Kit (1 ea. male and female)	29.50
985248	Female Coupling	25.50
985247	Male Plug	5.60
945007	HANSEN Stainless Steel Kit (1 ea. male and female)	119.00
945010	Female Coupling	86.15
945011	Male Plug	42.00

NOTE

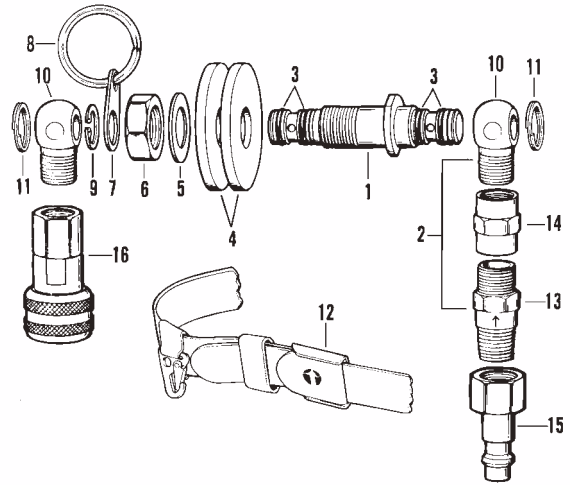
A minimum of 10 feet of air supply hose must be used with supplied air respirators in order to maintain the NIOSH approval. Consult the approval label.

Supplied Air Accessories

MARK 2 SCBA SAR Combo Adapter Kit (9840, 9842, 9860, & 9870) (Discontinued)



HAZMAT Suit Pass-Through (9640, 9660, 9670, 9840, 9842, 9860, 9870, 9884)



Part	Description	Price
980078	Combo Air Line Adapter Kit (Foster)	242.00
980079	Combo Air Line Adapter Kit (Schrader)	242.00
1	910097 Outlet Fitting	128.00
2	957025 O-ring	0.90
3	95731210 O-ring (4 req.) (Pkg. of 10)	9.00
4	988299 SAR Pigtail, 17" (Foster)	111.00
	988298 SAR Pigtail, 17" (Schrader)	111.00
5	910096 Spacer	6.90
6	864150 Retaining Ring	1.90
7	960123 Check Valve	26.30
8	988295 Spacer	5.30
9	988296 Screen	4.20
10	930439 Plug (Schrader)	9.80
	930432 Plug (Foster)	5.70
11	980605 Dust Cover	37.80
12	980104 Hose Strap (Not Pictured)	12.30

Part	Description	Price
980200	Suit Pass-Through Kit	298.00
1	980293 Pass-Through	217.00
2	980291 Inlet Assy.	42.40
3	95731210 O-ring (4 req.) (Pkg. of 10)	9.00
4	980297 Nylon Washer (2 req.)	8.70
5	980286 Washer	8.10
6	980296 Nut	3.10
7	985224 Ring Clip	2.25
8	980292 Ring	0.90
9	861050 Retaining Ring	1.90
10	985054 Banjo Fitting	25.50
11	864150 Retaining Ring (2 req.)	1.90
12	985231 Belt Assy.	26.00
13	960123 Check Valve	26.30
14	930554 Adapter	7.60
15	930432 Foster Plug ¹	5.70
	930439 Schrader Plug ¹	9.80
	945005 Hansen Plug ¹	25.70
16	930454 Foster Coupling ¹	28.60
	930436 Schrader Coupling ¹	30.70
	945006 Hansen Coupling ¹	58.40

Legend

¹ Not included in assembly.

NOTE

A minimum of 10 feet of air supply hose must be used with supplied air respirators in order to maintain the NIOSH approval. Consult the approval label.

MISCELLANEOUS

Part	Description	Price
REPAIR, OVERHAUL, AND UPGRADE KITS		
961647	Panther/SIGMA First Stage Regulator Overhaul Kit, Forged Body	21.00
961571	SIGMA First Stage Regulator Overhaul Kit, Machined Body	25.00
961572	Panther/SIGMA Second Stage Regulator Overhaul Kit	28.00
961573	Panther/SIGMA Gauge and Alarm Overhaul Kit	31.00
961574	Panther/SIGMA Classic Facepiece Overhaul Kit	10.00
962047	TwentyTwenty Plus Facepiece Overhaul Kit	7.00
961653	Panther/SIGMA TwentyTwenty Facepiece Overhaul Kit	17.00
961575	Panther/SIGMA Regulator Receiver Overhaul Kit	5.00
961690	Panther/SIGMA L.P. to H.P. Conversion Kit ¹	134.00
961680	Panther/SIGMA H.P. to L.P. Conversion Kit ¹	134.00
962073	Plain Whistle Alarm Overhaul Kit	42.00
962074	Bell Alarm Overhaul Kit	10.00
962072	Warbling Whistle Alarm Overhaul Kit	28.00
961170	Panther/SIGMA Second Stage Regulator Cleaning Cap Kit	2.60
873004	Panther/SIGMA Second Stage Regulator Cleaning Cap"	2.30
961565	MARK 2 First Stage Regulator Kit	42.00
980065	MARK 2 Second Stage Regulator Kit	36.00
980016	Repair Kit (MARK 2 Regulator)	66.00
911005	MARK 2 Cartridge Alarm Kit	61.60
912590	Regulator Repair Kit (Model 9125)	76.00
912790	Regulator Repair Kit (Models 9127 & 9135)	76.00
911690	XL Regulator Repair Kit (Models 9116, 9118, & 9123) (For Overhaul of 9123, add o-rings P/N 824193 [x2] and 824169 [x1])	76.00
960690	Alarm Repair Kit, L.P. (S-30, XL-30, SAR, MARK 1, and Air Cart)	51.00
960693	Alarm Repair Kit, H.P. (MARK 1)	51.00
975245	Pressure Reducer Kit (HIP-PAC)	30.00
SPECIAL TOOLS		
997018	5/64" Roll Pin Punch	35.00
997011	Panther/SIGMA 2nd Stage Leak Test Tool	33.00
997020	Panther/SIGMA Alarm Fixture/dB Meter Kit, for SCBAs with Whistle on Gauge	165.00
997012	Panther/SIGMA Alarm Fixture Bracket, for SCBAs with Whistle on Gauge	70.00
997017	Panther/SIGMA Alarm Fixture dB Meter	100.00
997009	Panther/SIGMA O-ring Tool for Bypass & Restrictor	40.00
997010	Panther/SIGMA O-ring Tool for Alarm Piston	40.00
961501	Panther/SIGMA Alarm Adjustment Tool	27.00
962246	TwentyTwenty Facepiece AIR KLIC and Speaking Diaphragm Removal Tool	89.00
980019	MARK 2 Speaking Diaphragm Removal Tool	21.50
111660	Test Fixture, 1st Stage I.P., Panther/SIGMA	88.00
935018	Filling Adapter Yoke (HIP-PAC w/Steel Cylinder)	163.00
980027	1st Stage Tool, MARK 2	112.00
980090	2nd Stage Tool, MARK 2	142.00
997024	Alarm Fixture	145.00

Part	Description	Price
ACCESSORY PARTS		
SCBA CARRYING CASES		
983836	Velcro Strap (Blue Carrying Case)	5.00
983838	Velcro Strap (Black Carrying Case)	10.00
983837	Latches, Double, Black	1.60
830601	Strap Grommet	2.60
SAR & EBA		
210105	Gauge, 0 - 200 psi, 1/4" NPT Male	26.70
210106	Gauge, Replacement, 0 - 400 psi (1116 Series) Test Fixture	31.80
960056	Plug, 1/4" NPT Male	4.90
942276	EBA Fill Adapter	79.00
CYLINDERS		
915138	Cylinder Kit (without valve), 30 min., 2216 psig Hoop-wrapped Cylinder	332.00
915139	Cylinder Kit (without valve), 30 min., 4500 psig Hoop-wrapped Cylinder	332.00
915184	Cylinder Kit (without valve), 30 min., 2216 psig, All-Aluminum Cylinder	232.00
915188	Cylinder Kit (without valve), 30 min., 2216 psig, Fully Wrapped Carbon Cylinder (Luxfer)	624.00
915189	Cylinder Kit (without valve), 30 min., 4500 psig, Fully Wrapped Carbon Cylinder	624.00
915190	Cylinder Kit (without valve), 45 min., 4500 psig, Fully Wrapped Carbon Cylinder	923.00
915194	Cylinder Kit (without valve), 45 min., 4500 psig, Fully Wrapped Carbon Cylinder ("shorter and wider")	943.00
915192	Cylinder Kit (without valve), 60 min., 4500 psig, Fully Wrapped Carbon Cylinder	1043.00
915193	Cylinder Kit (without valve), 30 min., 3000 psig, Fully Wrapped Carbon Cylinder	842.00
915125	Cylinder Valve Overhaul Kit, Low Pressure, Hoop-wrapped Cylinder	31.00
915126	Cylinder Valve Overhaul Kit, High Pressure, Hoop-wrapped Cylinder	31.00
915127	Cylinder Valve Overhaul Kit, High Pressure, Fully Wrapped Cylinder	31.00
915104	Cylinder Valve Overhaul Kit, Low Pressure, All-Aluminum and Fully Wrapped Cylinder	31.00
995203	Label, Cylinder Warning, 2216 psi	2.00
995215	Logo, SURVIVAIR, 4 inch	2.30
995204	Logo, SURVIVAIR, 5 inch	2.00
995213	Label, Cylinder Safety Warning	2.00
995272	Label, Heat Warning	1.50
995233	Label, Warning, 2216 psi	1.60
975135	Label, Filling EBA	3.90
975136	Label, Warning, EBA	1.60
946935	Protective Sleeve, 2216 psig Hoop-wrapped	65.00
946937	Protective Sleeve, 4500 psig Hoop-wrapped	55.00
941256	Protective Sleeve, 2216 psig Carbon	50.00
941257	Protective Sleeve, 3000 psig Carbon	50.00
941258	Protective Sleeve, 4500 psig 30-minute Carbon	50.00
941259	Protective Sleeve, 4500 psig 45-minute Carbon	50.00
941261	Protective Sleeve, 4500 psig 60-minute Carbon	50.00
POSICHEK³™ SOFTWARE/HARDWARE		
905820	Biosystems PosiChek ³ SURVIVAIR Software, NT	495.00
752533	PosiChek Adapter, HIP-PAC, Regulator	115.00
752528	PosiChek Adapter, Panther/SIGMA Style w/Q.D. for '92 & '97 NFPA-compliant SCBA	115.00
752530	PosiChek Adapter, 2002 NFPA-compliant Panther SCBA w/o Buddy Breather/MARK 2/Cougar/OMEGA w/o Q.D./HIP-PAC w/o Q.D.	115.00
752534	PosiChek Adapter for 2002-Compliant Panthers w/Over-the-Shoulder Buddy Breather	55.00

Legend

¹ Not for use with MARK 2 First Stage systems.



MISCELLANEOUS (Continued)

Part	Description	Price
WELDING		
430000	Full Facepiece Shield, Shade 10 Lens	100.00
430030	Full Facepiece Shield, Auto-darkening, Variable Shade 9-12 Lens	410.90
430040	Full Facepiece Shield, Auto-darkening, Fixed Shade 10 Lens	320.90
430031	430000 Upgrade Kit, Auto-darkening, Variable Shade 9-12 Lens	315.00
430041	430000 Upgrade Kit, Auto-darkening, Fixed Shade 10 Lens	235.00
430035	Replacement Auto-darkening, Variable Shade 9-12 Lens	327.30
430045	Replacement Auto-darkening, Fixed Shade 10 Lens	241.60
430005	Full Facepiece Shield, Lower Bib	32.90
430010	Full Facepiece Shield, Upper Bib	23.60
430011	Full Facepiece Shield, Replacement Springs	5.30
CONSUMABLES		
50116	Silicone Lubricant, Dow 111, 5.3 oz.	28.70
820419	Never Seez, 16 oz.	72.00
820455	Loctite 415	47.00
951015	Anti-fog Solution, 1 oz.	3.10
951016	Anti-fog Solution, 16 oz.	10.70
140082	Mask Wipes, Canister of 220 ea.	18.10
B140096	Mask Wipes, Individually Wrapped, 100 ea.	19.10
981808	SCBA Anti-fog Wipes, Titmus (dry)	65.00
940118	Protective Mask Bag	6.10
B140095	Lens Covers, 25 ea.	29.60
820464	Blue Thread Sealant 242, 0.5 cc	6.00
820454	Green Thread Sealant 680	84.00
820471	Loctite Inlet, 425 Assure®, 0.7 oz.	37.00
820473	Loctite Pipe Sealant 567, 100 ml	39.00
820476	Loctite Pipe Sealant 567, 6 ml	11.00
820469	Loctite 609	30.00
910699	Chistolube, large, 3/4 oz.	37.00
820472	Blue Sentry Seal, 1 oz.	7.70
820489	Molycote® 33	44.00
820490	RTV 108, 2.8 oz.	22.00
820496	Loctite Primer, N, 1.75 oz.	27.00
820430	Loctite 271	27.00
AMBIENT AIR PUMP		
985210	1/3 hp, 1-person Pump	729.30
985200	3/4 hp, 2-person, 1 Hood Pump	902.70
985225	1-1/2 hp, 4-person, 3 Hood Pump	1746.20
985205	Intake Filter Element (3/4 hp) (Pkg. of 6)	38.40
985215	Intake Filter Element (1/3 hp) (Pkg. of 6)	39.80
985206	Exhaust Filter Element (Pkg. of 6)	48.30
985207	Pump Flushing Liquid, 1 pt.	16.90
985208	Service Kit (3/4 hp)	93.80
985211	Service Kit (1/3 hp)	87.90
985212	Service Kit (1-1/2 hp)	178.50

Part	Description	Price
FIT TESTING EQUIPMENT		
QUANTITATIVE		
B410099	Full Facepiece, Probed, Small	210.00
B420099	Full Facepiece, Probed, Standard	210.00
B260099	Blue 2000 Half Mask, Probed	34.70
B220099	Blue 1 Half Mask, Probed	30.40
420025	Fit Test Adapter Kit, Half Mask and Full Face APR	58.20
420040	Refill Kit for 420025 Adapter Kit (25 pcs.)	38.80
941899	Lens, Probed (XL, MK2, & Classic SIGMA Facepieces)	61.20
962253	Lens, Probed, Twenty/Twenty Facepieces	71.70
980500	Fit Test Adapter, Full Facepiece, MARK 2/XL	105.00
962262	Lens, Probed, Twenty/Twenty Plus SCBA	71.70
105005	P100 Filter (10 ea.)	38.50
962900	APR Adapter and Qualitative Fit Test Adapter, Panther/SIGMA/OMEGA/Cougar/LO-PRO ¹	99.00
962920	Quantitative Fit Test Kit Adapter (This adapter MUST be used for quantitative fit testing.)	65.00
QUALITATIVE		
140090	Irritant Smoke Fit Test Kit	85.70
140038	Irritant Smoke Fit Test Tubes, Replacement (box of 6)	44.00
193120	Saccharin Qualitative Fit Test Kit	162.60
193107	Saccharin Fit Test Kit, Hood	14.80
193105	Saccharin Fit Test Solution, 55 ml bottle	8.95
193106	Saccharin Sensitivity Test Solution, 55 ml bottle	8.95
193101	Nebulizer for Saccharin Fit Test Kit, Sensitivity	71.60
193102	Nebulizer for Saccharin Fit Test Kit, Fit Test	71.60
193140	IAA/Banana Oil Fit Test Kit	41.70
193138	Replacement IAA Solution (One 1-oz. Vial)	14.00
194040	Deluxe Banana Oil Fit Test Kit	280.10
193170	Bitrex Qualitative Fit Test Kit	149.80
193171	Bitrex Fit Test Solution	14.00
193172	Bitrex Sensitivity Solution	14.00
TRAINING		
P995645	Panther Video, NFPA 1981, 1997 Ed.	25.00
995665	Panther Video, NFPA 1981, 2002 Ed.	25.00
995666	Panther CD-ROM, NFPA 1981, 2002 Ed.	5.00
995613	Cougar & Puma Video	25.00
995612	Cougar & Puma CD-ROM	5.00
995635	SIGMA Classic Video	25.00
995625	MARK 2 Video	25.00
995615	XL-30 Video	25.00
260089	Fit Test Video (English)	27.40
193095	Fit Test Video (Spanish)	27.40
995605	SAR Video	25.50
371503	3" Survivair Arm Patch	2.80

Legend

¹ To use the 962900 APR Adapter for quantitative fit testing, the 962920 fit test adapter must also be installed.

Survivair Cylinder Specifications – September 1, 2006
Page 2

Spare Cylinder Part No.	Size and Service Pressure	Vendor	Type	Valve Thread & Valve Part No.	Diameter (In)	Length (In)**	Bare Cylinder Weight Without Air (Lb)	Cycl. Weight With Air and Valve (Lb)**	Water Volume (Cu In)	Service Pressure Volume (Cu Ft)	Valve Torque Value (Ft-Lb)
975081	5 Minutes 2216 PSIG 3AL (EBA-5 and 5-min. Hip-Pac)	Luxfer	Aluminum	.750-16 UNF P/N 975049	4.38	10.00	4.2	5.6	91.0	8.0	40
975091	10 Minutes 3000 PSIG 3AL (EBA-10)	Luxfer	Aluminum	.750-16 UNF P/N 975050	4.38	13.00	5.8	7.6	116.0	13.3	40
975154	5 & 10 Minutes 3000 PSIG 3AL (EBA-5 and 10-min. Hip-Pac)	Luxfer	Aluminum	.750-16 UNF P/N 975050	4.38	14.60	6.7	8.6	133.0	15.2	40
917250	10 Minutes 4500 PSIG DOT-E-9894 (10-min. Hip-Pac)	Luxfer	Carbon Full Wrap	.875-14 UNF-2A P/N 920312	4.57	11.50	3.3	5.1	116.0	13.3	40
968513	15 Minutes 3000 PSIG DOT-E-9894 (15-min. Hip-Pac)	Luxfer	Fiberglass Hoop-Wrap	.750-16 UNF P/N 975050	5.25	14.10	6.4	9.0	210.0	24.0	40

Legend:

*Bare cylinder length. Add 2.70 inches for cylinder + valve length.

**Subtract .79 lb for weight without cylinder valve.

Approximate weight of air at 72°F: 0.6 lb/5-minute cylinder (8.0 ft³); 1.0 lb/10-minute cylinder (13.3 ft³); 1.1 lb/5- & 10-minute cylinder (15.2 ft³); 1.8 lb/15-minute cylinder (24.0 ft³).

Notes

Notes