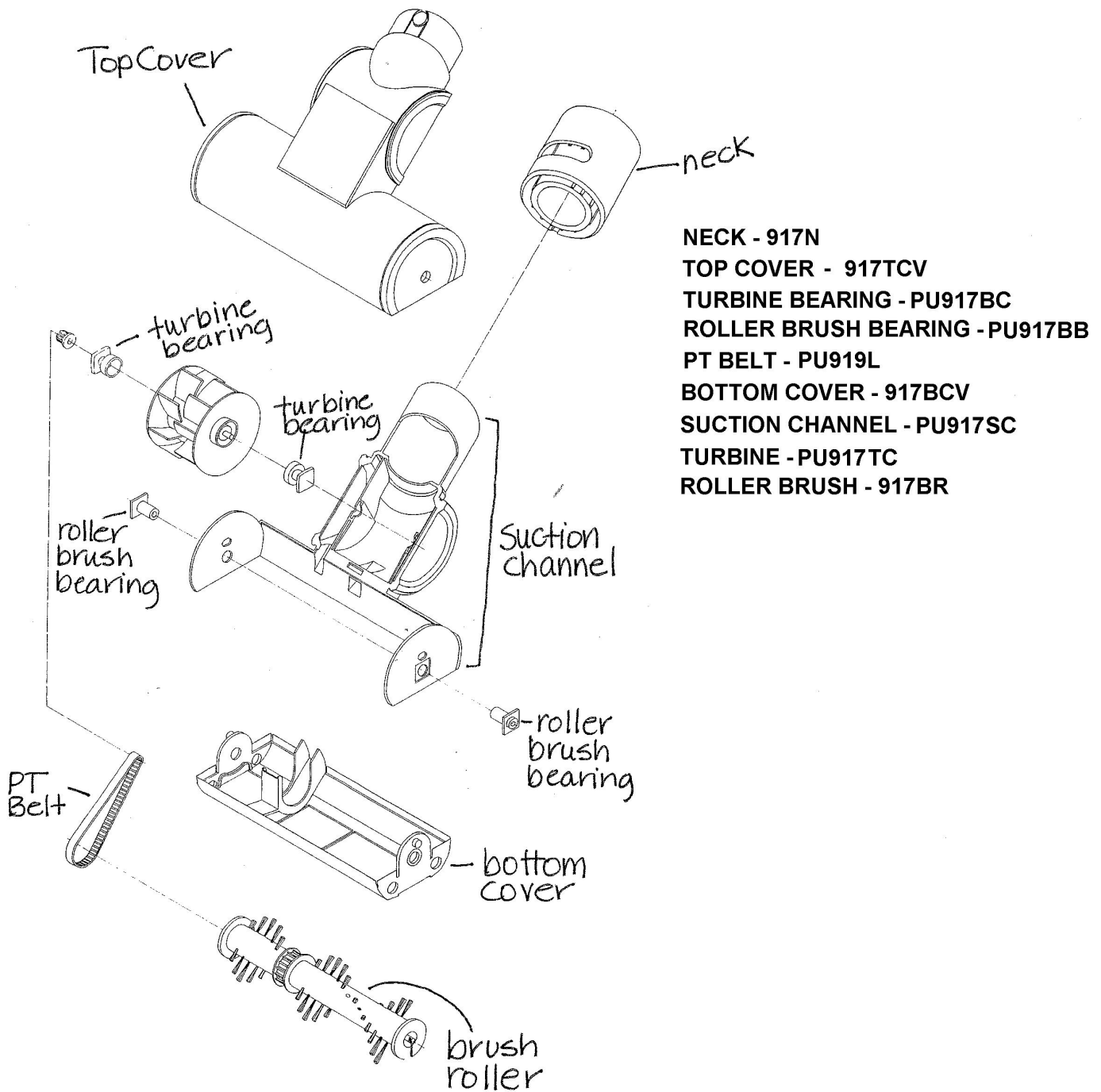


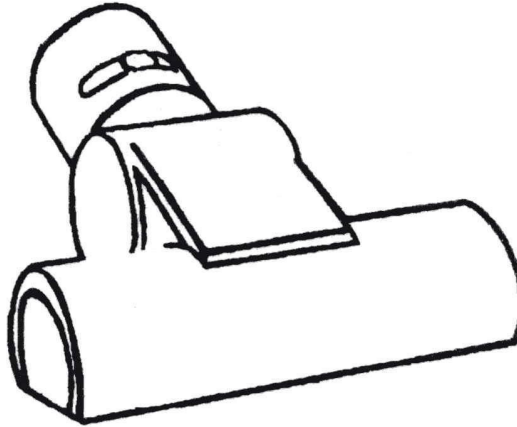
Upholstery Turbo Brush
for textile wall- and
floor coverings, upholstery

AC171



- NECK - 917N
- TOP COVER - 917TCV
- TURBINE BEARING - PU917BC
- ROLLER BRUSH BEARING - PU917BB
- PT BELT - PU919L
- BOTTOM COVER - 917BCV
- SUCTION CHANNEL - PU917SC
- TURBINE - PU917TC
- ROLLER BRUSH - 917BR

HYDRO FORCE AC171 & AA020



Parts List

Description	Part Number	
PT Belt	PU917L	STOCKED
Top Cover- Black	917TCV	NONSTOCK
Bottom Cover- Black	917BCV	NONSTOCK
Neck – 32mm/1 ¼”- Black	917N	NONSTOCK
Brush Roller	917BR	NONSTOCK
Brush Bearing	PU917BB	STOCKED
Suction Channel- Black	PU917SC	STOCKED
Turbine Bearing Complete	PU917BC	STOCKED
Turbine Complete	PU917TC	STOCKED