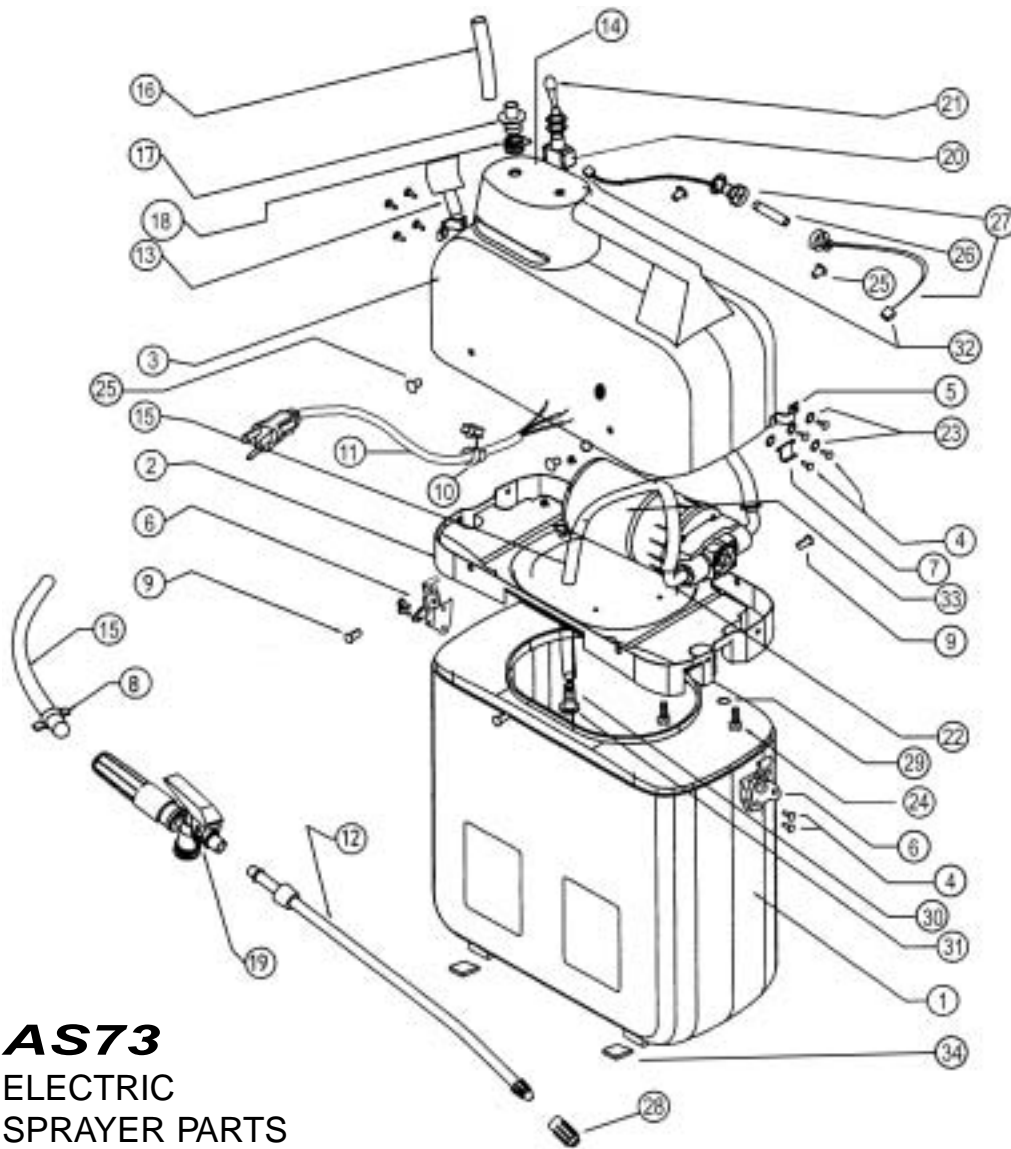


AS73 ELECTRIC SPRAYER PARTS BREAKDOWN



AS73 ELECTRIC SPRAYER PARTS BREAKDOWN

1. NS109 - Tank
 2. NS112 - Tray
 3. NS114 - Cover
 4. NS116 - Pop rivet .125 dia. /Closed End
 5. NS118 - Shoulder Strap Bracket
 6. NS120 - Latch
 7. NS121 - Latch Keeper
 8. NS123 - Hose Clamp
 9. NS124 - Rivet Nut
 10. NS127 - Strain Relief
 11. NS130 - 8' Power Cord
 12. NS132 - 16" Poly Wand Assembly w/ Nozzle Tip
 13. NS134 - Shoulder Strap
 14. NS136 - Logo -Hydro-Force
 15. NS140 - Spray and Pump Hose by the Foot
 16. NS144 - Sleeve, PVC Black 4"
 17. NS152 - Bulk Head Fitting
 18. NS154 - Bulk Head Retainer Clip
 19. NS156 - Hand Valve
 20. NS158 - On/Off Switch
 21. NS160 - Switch Rubber Cover
 22. NS162 - Elbow
 23. NS168 - Washer for Pop Rivet
 24. NS170 - Pump Mounting Screw
 25. NS172 - Screw Socket Button Head
 26. NS174 - Fuse 1 Amp
 27. NS176 - Fuse Body (1)
 28. NS180 - Fan Spray Tip
 29. PA232 - Pump Mounting Washer
 30. NA0839 - Hose Barb
 31. NA0840 - Draw Tube Strainer
 32. NM4017 - Insulated Electrical Connector
 33. AP28 - Pump \$109.03
 34. NS182 - Slider Feet (Stick on)
- (Additional for AS71 Battery Powered)*
1. NM4012 - Battery Pack 12-volt
 2. NM4013 - Charger, 1 hour 12-volt
 3. AP32 - Pump, 12-volt Demand