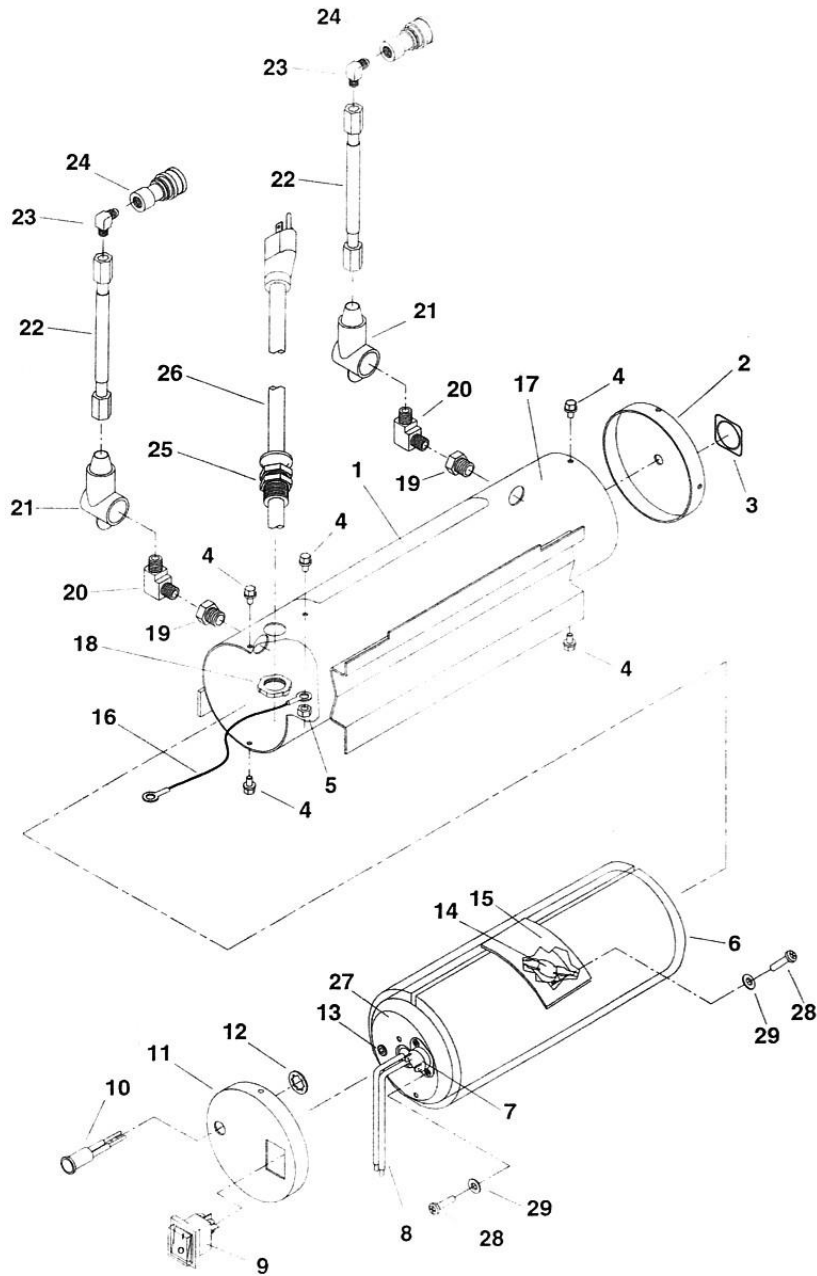


AX39 HF 2000 ELECTRIC HEATER



115V HEATER SERVICE

AX39 HF 2000 ELECTRIC HEATER

REF	PART NO.	QTY	DESCRIPTION	SERIAL NO. FROM	NOTES:
1	48-941396	1	LABEL, HEATER WARNING PROCHEM		
2	41504	1	HOUSING, CAP OUTLET END NU		
3	50776	1	LABEL, FOR SAFETY		
4	70351	5	SCR, 10-32 X 3/8 HHTR W/STAR		
5	57104	1	NUT, 10-32 W/STAR WASHER PLTD		
6	41513	1	INSULATION, HEATER		
7	130-14C	1	THERMOSTAT RESET 302		
8	130-14	1	HEATER ELEMENT 110V		
9	32-900195	1	SWITCH, DPST, LGHTD RCKR GRN		
10	51041	1	LIGHT, 115V NEON INDICATOR		
11	41503	1	HOUSING, CAP SWITCH END NU		
12	22046	1	CLIP, NEON LAMP		
13	66095	1	PLUG, 1/8 MPT HEX BRASS		
14	130-14I	1	THERMOSTAT W/SPADE LEADS		
15	41514	1	INSULATION PAPER		
16	88623	1	WIRE, 4" G/Y/14 76010 X 76010		
17	41502	1	HOUSING ASM, HEATER PORT NU		
18	57040	1	NUT, 1/2 NPT CONDUIT		
19	11-800039	2	BUSH, 1/4 x 1/8 BR		
20	12-800040	2	ELL, 1/8P X 1/4T BR		
21	80889	2	BOOT, RUBBER TERM. ISOLATOR		
22	10-805393	2	HOS, 3/16 X 14-1/4(1/4FT) BS		
23	12-800031	2	ELL, 1/4P X 1/4T BR		
24	22015	2	COUPLER, 1/4 QD		
25	73505	1	STRAIN RELIEF, 1/2 NPT TRUMPET		
26	060-04	1	CORD ASM, 12/ SJT X 25' BLK		
27	41501	1	HEATER CART, CASE WELDED		
28	300-06A	6	PAN HD SH MTL SCREW 6 X 3/16 B		
29	390-01	6	WASHER #5 SS .135 ID X .312 OD		

115V HEATER SERVICE