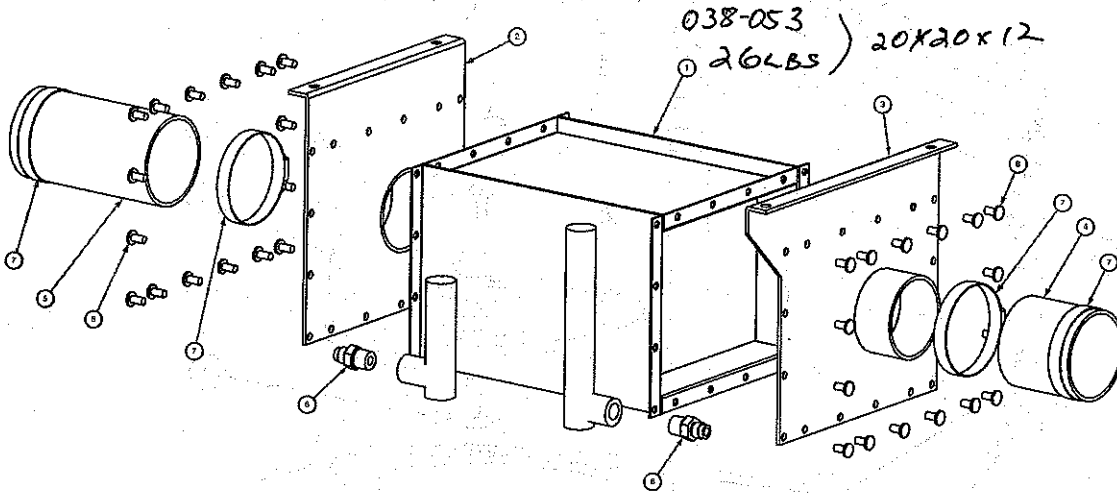


Figure 1-17 Blower Heat Exchanger Assembly

C4944 Rev A



Blower Heat Exchanger Assembly Parts List

Item	Part Number	Description	Qty
1	000-038-053	Core, Blower Heat Exchanger - Boxxer 421	1
2	000-100-116	Plate, End - Weldment - Blower Heat Exchanger	1
3	000-100-117	Panel, End - Weldment - Blower Heat Exchanger	1
4	000-068-398	Hose, 3" x 3" Lg. Blue Silicon	1
5	000-068-398	Hose, 3" x 6" Lg. Blue Silicon	1
6	000-052-528	Nipple, 3/8" M JIC x 3/8" NPT	2
7	000-033-012	Clamp, Size #44 Hose	4
8	000-140-021	Rivet, 1/4" Blind x 0.50" Lg.	32